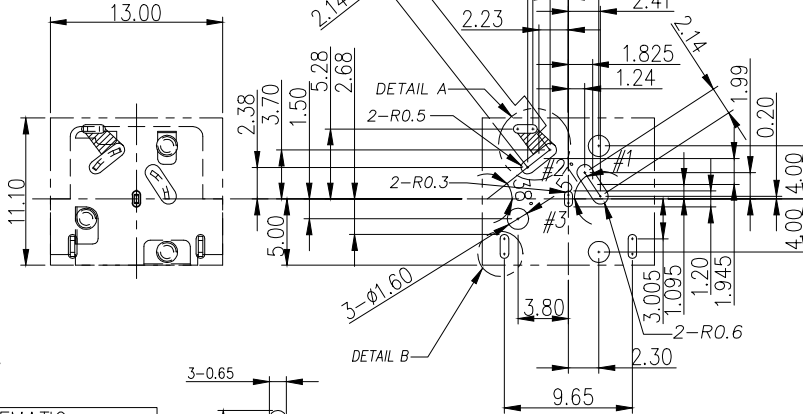
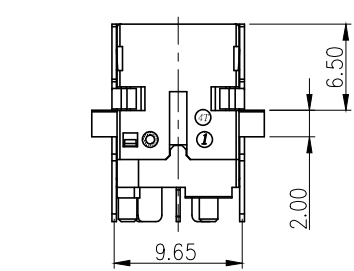
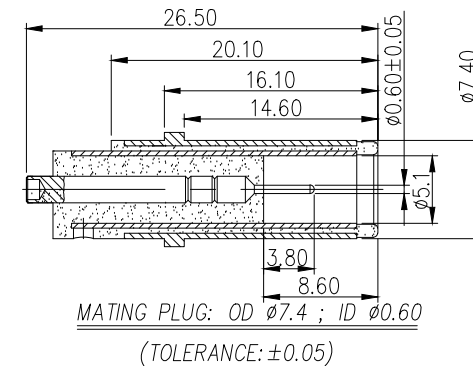
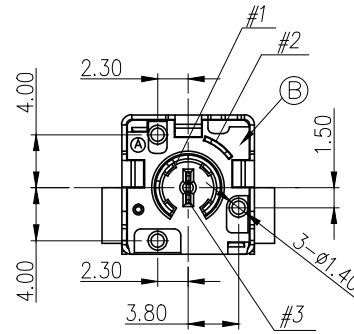
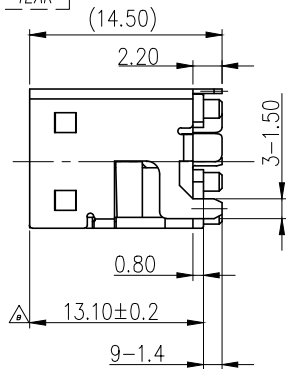
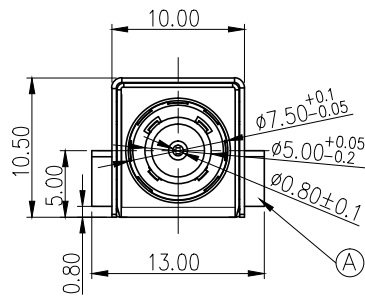
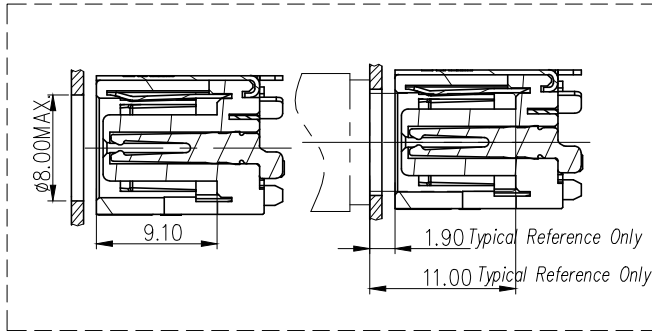
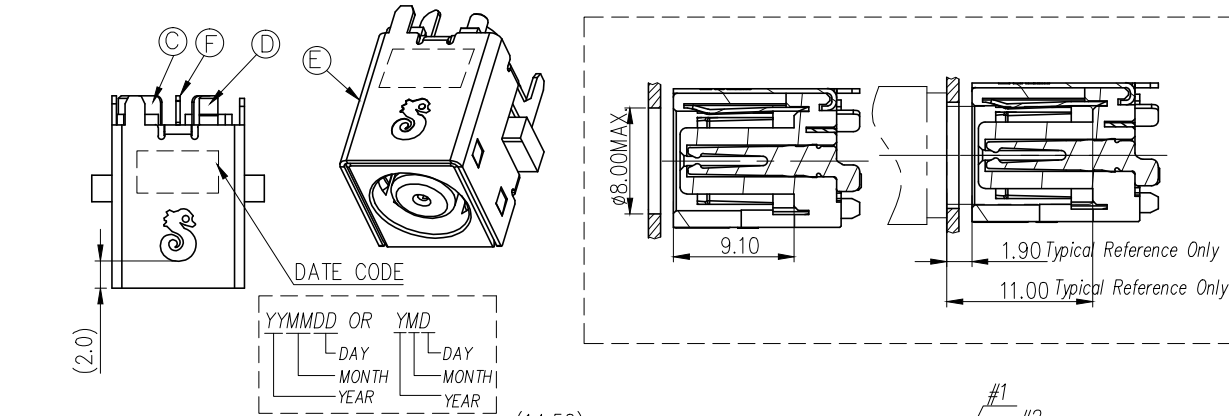


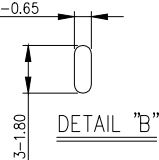
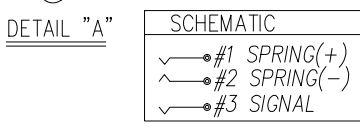
REV.	ECN NO OR DESCRIPTION	REVISED	DATE
A	PDR NO.T200730-5A	Springwu	2021.1.8
B	ECN NO.S202106-C07	Ken	2021.8.6

SPECIFICATIONS:

- ELECTRICAL CHARACTERISTICS:**
 - 1-1. RATING: 20V 13A
 - 1-2. CONTACT RESISTANCE: 20mΩ MAX.(INITIAL)
 - 1-3. DIELECTRIC WITHSTANDING VOLTAGE: 150V AC FOR ONE MINUTE.
 - 1-4. INSULATION RESISTANCE: 100MΩ MIN. MEASURED BY 500 VDC
- MECHANICAL CHARACTERISTICS:**
 - 2-1. INSERTION FORCE : 3.0 KGF Max.
 - 2-2. WITHDRAWAL FORCE : 0.35 KGF Min.
- LIFE TEST: 5,000 CYCLES MIN.**
- OTHER GENERAL SPEC. TO REFER "ZDC1003-014313F SPEC".**
- TO CONFORM TO SINGATRON HAZARDOUS SUBSTANCE FREE SPEC.**
- HALOGEN FREE PRODUCT IDENTIFICATION MARK ON PRODUCT:**
- HALOGEN FREE PRODUCT IDENTIFICATION LOGO ON THE PACKAGING:**
- FOR REFLOW SOLDERING LEAD-FREE PROCESS.**



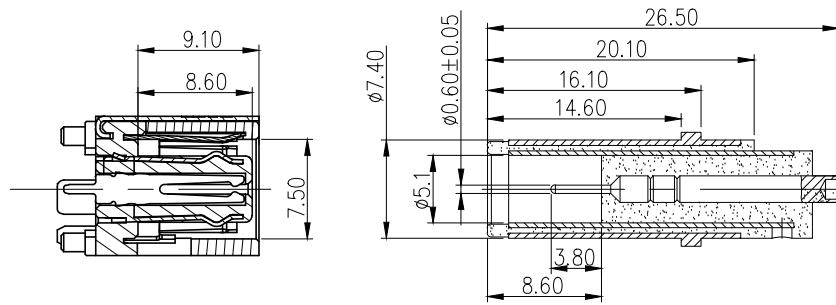
The area can weld (comprehend Spring(-)&Shell)



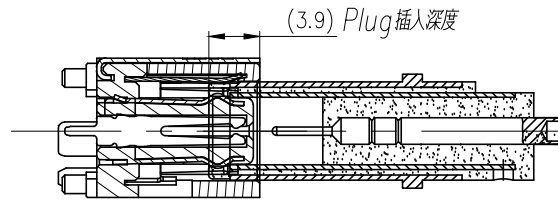
Recommended PCB Layout
 <TOP VIEW>TOLERANCE: ±0.05

NO	DESCRIPTION	QTY	MATERIAL	PLATING & COLOR
F	SIGNAL	1	COPPER ALLOY 0.3T	GOLD FLASH ON CONTACT AREA, Matte Sn 120u" ON SOLDER TAIL; ALL OVER Ni 50 u" MIN.
E	SHELL	1	COPPER ALLOY 0.35T	Ni 60 u"
D	SPRING (+)	1	COPPER ALLOY 0.3T	GOLD FLASH ON CONTACT AREA, Matte Sn 120u" ON SOLDER TAIL;
C	SPRING (-)	1	COPPER ALLOY 0.3T	ALL OVER Ni 50 u" MIN.
B	COVER	1	THERMOPLASTIC UL 94V-0	BLACK
A	HOUSING	1	THERMOPLASTIC UL 94V-0	BLACK
UNLESS OTHERWISE SPECIFIED TOLERANCES				
DECIMALS: ANGLES: TITLE: DC POWER JACK				
X	:±0.5	X	:±2°	DWN ken PART NO.ZDC1003-014313F
X.X	:±0.3	X.X	:±1°	CHKD sky SCALE 4:1 UNIT: mm
X.XX	:±0.2			APVD Lussen SIZE: A3 SHEET: 1 OF 2 REV: B
CUSTOMER COPY				

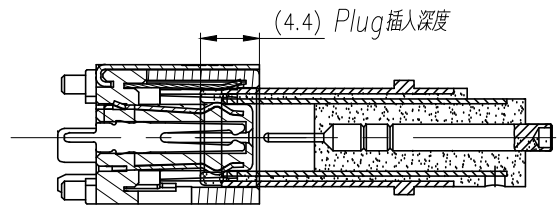
REV.	ECN NO OR DESCRIPTION	REVISED	DATE
A	PDR NO.T200730-5A	Springwu	2021.1.8
B	ECN NO.S202106-C07	Ken	2021.8.6



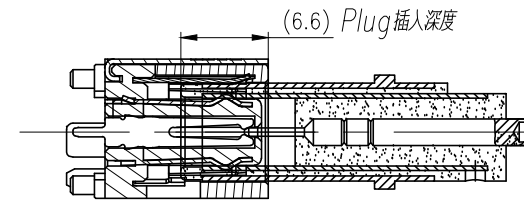
1. 負極接觸狀態



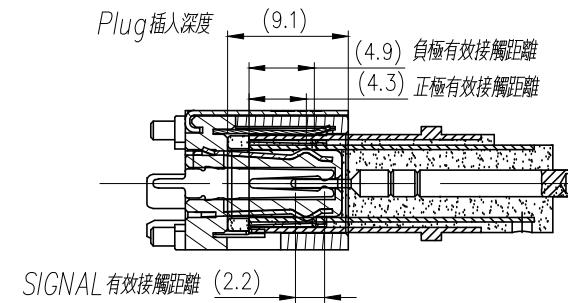
2. 正極接觸狀態



3. SIGNAL 接觸狀態



4. Plug 插到底狀態



UNLESS OTHERWISE SPECIFIED TOLERANCES		Singatron Enterprise Co., Ltd. 信音企業股份有限公司	
DECIMALS:	ANGLES:	TITLE	MATING DRAWING
X : ±0.5	X : ±2°	DWN ken	PART NO. 2DC1003-014313F
X.X : ±0.3	X.X : ±1°	CHKD sky	SCALE: 3:1 UNIT: mm
X.XX : ±0.2		APVD Lussen	SIZE: A3 SHEET: 2 OF 2 REV: B
CUSTOMER COPY			