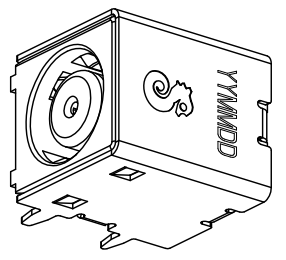
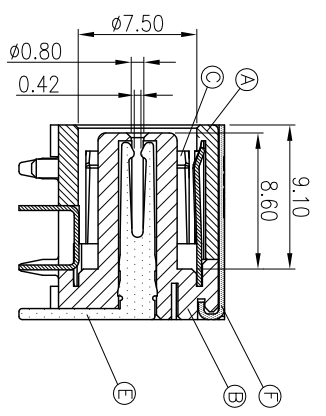
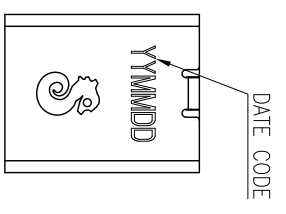
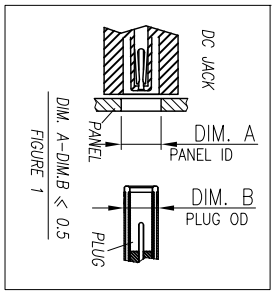
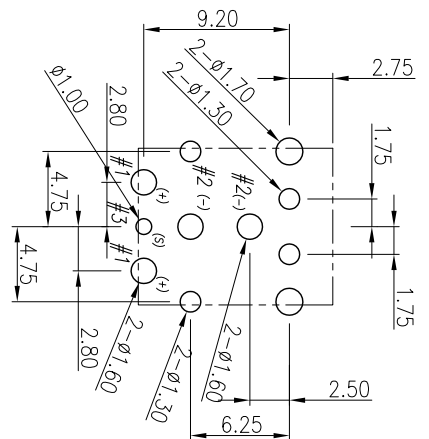
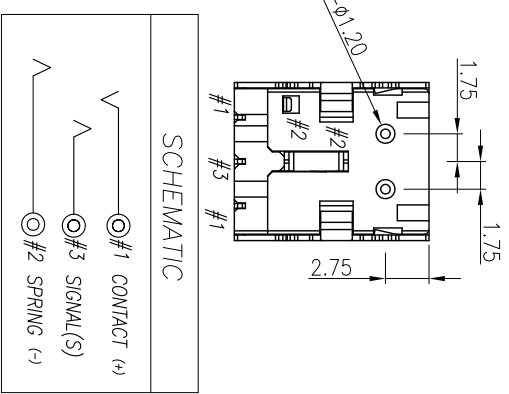
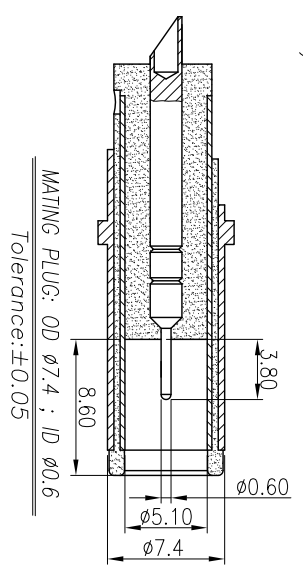
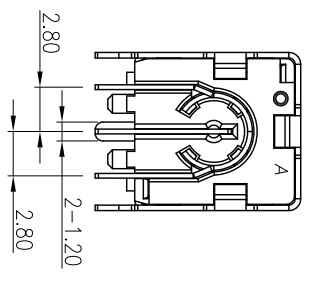
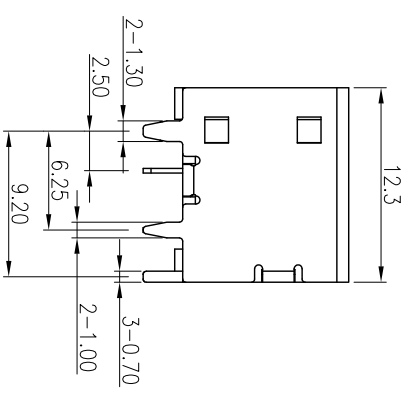
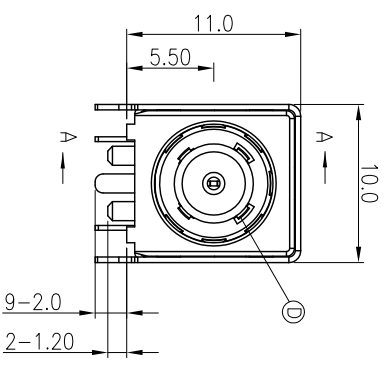


REV.	ECN NO OR DESCRIPTION	REVISED	DATE
A	PDR NO:T140421-1A	Jie	2014.05.08



- SPECIFICATIONS:
- ELECTRICAL CHARACTERISTICS:
 - 1-1. RATING: 30V, 10A
 - 1-2. CONTACT RESISTANCE: 20mΩ MAX.(INITIAL)
 - 1-3. DIELECTRIC WITHSTANDING VOLTAGE: 150V AC FOR ONE MINUTE.
 - 1-4. INSULATION RESISTANCE: 100MΩ MIN. MEASURED BY 500 VDC
 - MECHANICAL CHARACTERISTICS:
 - 2-1. INSERTION FORCE : 3.0 KGf Max.
 - 2-2. WITHDRAWAL FORCE : 0.35 KGf Min.
 - LIFE TEST: 5,000 CYCLES MIN.
 - OTHER GENERAL SPEC. TO REFER "2DC1003 SERIES SPEC."
 - TO CONFORM TO SINGATRON HAZARDOUS SUBSTANCE FREE SPEC.
 - HALOGEN FREE PRODUCT IDENTIFICATION MARK ON PRODUCT:
 - HALOGEN FREE PRODUCT IDENTIFICATION LOGO ON PACKAGING:
 - FOR REFLOW SOLDERING LEAD-FREE PROCESS.
 - THE PANEL'S ID MUST BE GREATER THAN THE PLUG'S OD WHICH MUST HAVE A DIFFERENCE OF LESS THAN OR EQUAL TO 0.5 mm.(AS SHOWN IN FIGURE 1.)



F	SHELL	1	BRASS 0.35t	NI 60U μ M
E	SIGNAL (S)	1	COPPER ALLOY 0.3t	Au 50U" ON CONTACT AREA, GOLD FLASH ON SOLDER AREA, ALL OVER IN 50U"
D	CONTACT	1	COPPER ALLOY 0.3t	
C	SPRING	1	COPPER ALLOY 0.3t	
B	COVER	1	HIGH TEMP. THERMOPLASTIC UL 94V-0	BLACK
A	HOUSING	1	HIGH TEMP. THERMOPLASTIC UL 94V-0	BLACK
NO	DESCRIPTION	QTY	MATERIAL	PLATING & COLOR

UNLESS OTHERWISE SPECIFIED TOLERANCES

DECIMALS: ANGLES:

X : ± 0.5 X : $\pm 2^\circ$
 X.X : ± 0.3 X.X : $\pm 1^\circ$
 X.XX : ± 0.2

DC POWER JACK

TITLE: DWN Jie
 CHKD: SKY
 APVD: Lussen

PART NO. 2DC1003-015111F
 SCALE: 3:1
 SIZE: A3
 SHEET: 10F1
 UNIT: mm
 REV: A

Singatron Enterprise Co., Ltd.
 信營企業股份有限公司

CUSTOMER COPY

SCHEMATIC

#1 CONTACT (+)
 #3 SIGNAL(S)
 #2 SPRING (-)

