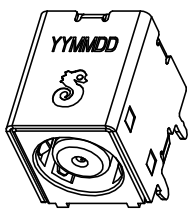
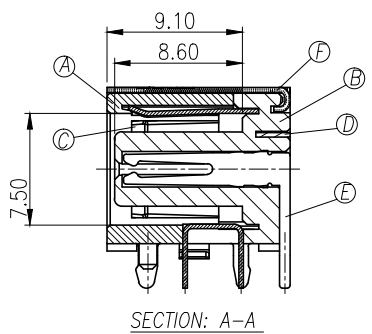
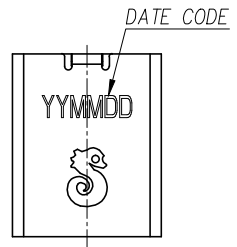
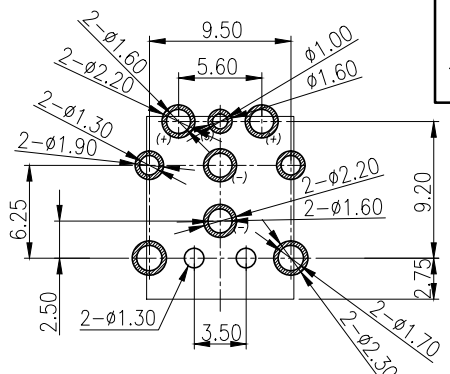
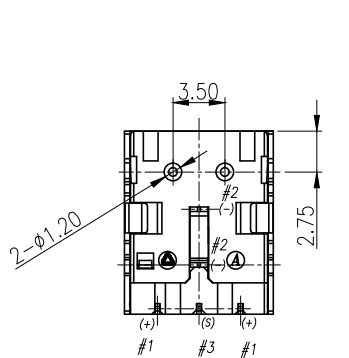
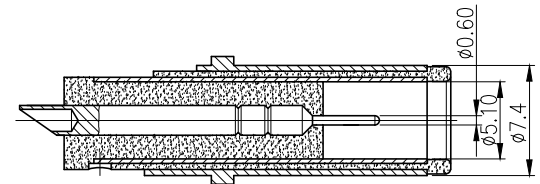
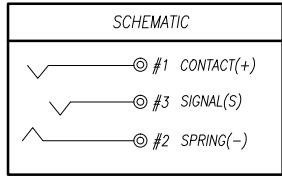
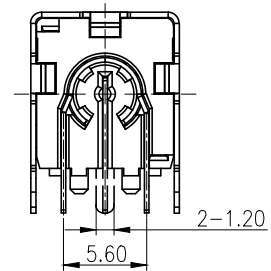
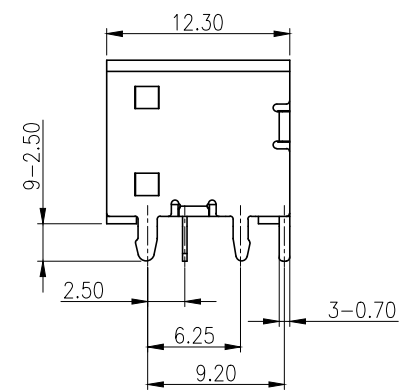
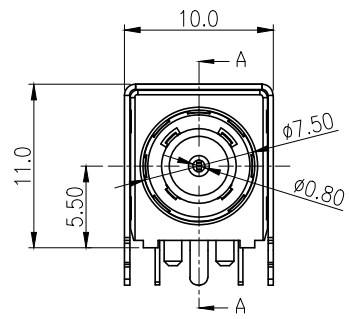


REV.	ECN NO OR DESCRIPTION	REVISED	DATE
A	PDR NO.T101228-2A	Lx	2011.06.17
B	ECN NO.S140641	Ken	2014.08.26
C	ECN NO.S170417-C	YUREN	2017.07.06



- SPECIFICATIONS:
- ELECTRICAL CHARACTERISTICS:
    - 1-1. RATING: 42V 10A
    - 1-2. CONTACT RESISTANCE: 20mΩ MAX.(INITIAL)
    - 1-3. DIELECTRIC WITHSTANDING VOLTAGE: 150V AC FOR ONE MINUTE.
    - 1-4. INSULATION RESISTANCE: 100MΩ MIN. MEASURED BY 500 VDC
  - MECHANICAL CHARACTERISTICS:
    - 2-1. INSERTION FORCE :3.0 KGF MAX
    - 2-2. WITHDRAWAL FORCE : 0.35~3.5KGF
  - LIFE TEST: 5,000 CYCLES MIN.
  - THE TEMPERATURE OF 270 DEGREES,5SECONDS.
  - OTHER GENERAL SPEC. TO REFER "2DC1003 SERIES SPEC".
  - TO CONFORM TO SINGATRON HAZARDOUS SUBSTANCE FREE SPEC.
  - HALOGEN FREE PRODUCT IDENTIFICATION MARK ON JACK: Ⓢ
  - HALOGEN FREE PRODUCT IDENTIFICATION LABEL ON PACKAGING: Ⓢ
  - FOR REFLOW SOLDERING LEAD-FREE PROCESS.
  - PACKAGING: TAPE&REEL

YYMMDD  
 DD: DAY  
 MM: MONTH  
 YY: YEAR



RECOMMEND P.C.B LAYOUT  
 Solder pastes thickness:0.12mm Min  
 PCB Board thickness :1.60~1.80mm  
 TOP VIEW (Tolerance:±0.05)

NO	DESCRIPTION	QTY	MATERIAL	PLATING & COLOR
F	SHELL	1	C2680-H 0.35T	NICKEL
E	SIGNAL (S)	1	C5210-SH 0.3T	GOLD FLASH OVER Ni 50u"
D	CONTACT (+)	1	C5210-SH 0.3T	GOLD FLASH OVER Ni 50u"
C	SPRING (-)	1	C5210-EH 0.3T	GOLD FLASH OVER Ni 50u"
B	COVER	1	LCP+30%GF E130I UL 94V-0	BLACK
A	HOUSING	1	LCP+30%GF E130I UL 94V-0	BLACK

UNLESS OTHERWISE SPECIFIED TOLERANCES

Singatron Enterprise Co., Ltd.  
 信音企業股份有限公司

DECIMALS:	ANGLES:	TITLE	DC POWER JACK		
X :±0.5	X :±2°	DWN	YUREN	PART NO.2DC1003-020111F	
X.X :±0.3	X.X :±1°	CHKD	CERRY	SCALE 4:1	UNIT: mm
X.XX :±0.2		APVD	LIAO	SIZE: A3	SHEET:1 OF 1

CUSTOMER COPY