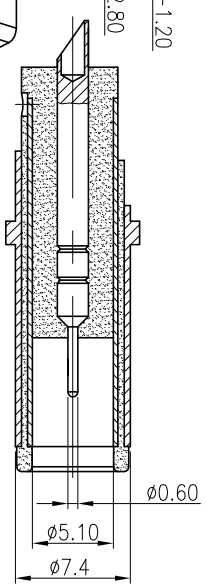
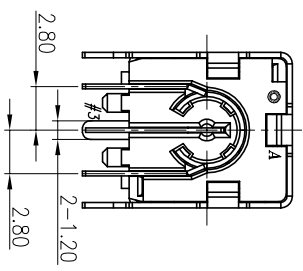
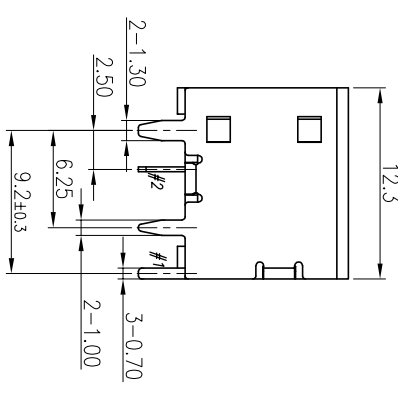
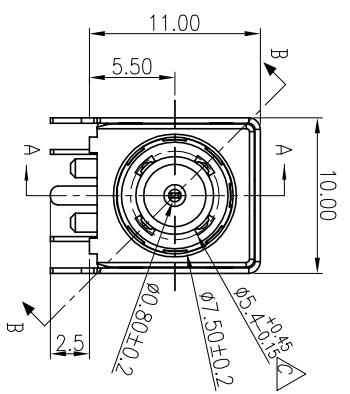
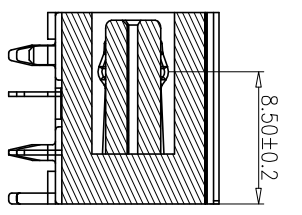
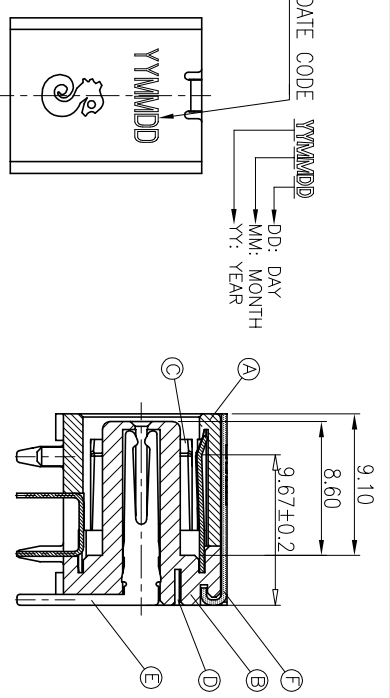


DATE CODE **YYMMDD**  
 DD: DAY  
 MM: MONTH  
 YY: YEAR



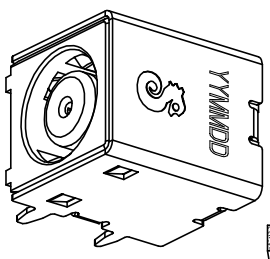
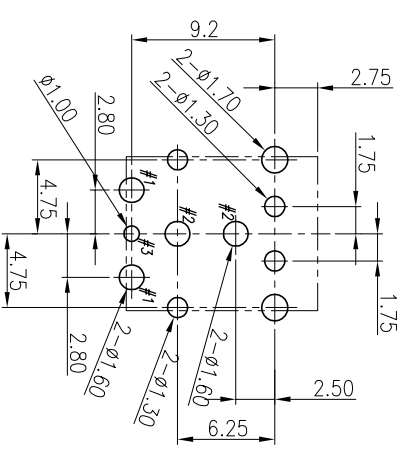
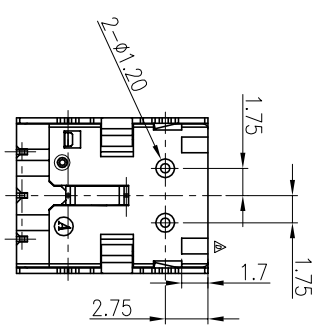
MATING PLUG: OD Ø7.4 ; ID Ø0.6  
 Tolerance: ±0.05

FIGURE 1

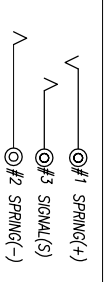
REV.	ECN NO. OR DESCRIPTION	REVISED	DATE
A	PDR NO. IT130918-4A	Ron	2014.02.28
B	ECN NO. ST140842	Ken	2014.10.23
C	ECR NO. ST180445-0	Ron	2018.08.24
D	ECR NO. C202110-M02	ZhenYu	2021.11.17

SPECIFICATIONS:

1. ELECTRICAL CHARACTERISTICS:  
 1-1. RATING: 42V 10A  
 1-2. CONTACT RESISTANCE: 30m MAX. (INITIAL)  
 1-3. DIELECTRIC WITHSTANDING VOLTAGE: 500V AC FOR ONE MINUTE.  
 1-4. INSULATION RESISTANCE: 100M MIN. MEASURED BY 500 VDC
2. MECHANICAL CHARACTERISTICS:  
 2-1. INSERTION FORCE : 3.0 KGF Max.  
 2-2. WITHDRAWAL FORCE : 0.35 KGF Min.
3. LIFE TEST: 5,000 CYCLES MIN.
4. TO CONFORM TO SINGATRON HAZARDOUS SUBSTANCE FREE SPEC.
5. HALOGEN FREE PRODUCT IDENTIFICATION MARK ON PRODUCT:
6. HALOGEN FREE PRODUCT IDENTIFICATION LOGO ON THE PACKAGING:
7. FOR REFLOW SOLDERING LEAD-FREE PROCESS.
8. THE PANEL'S ID MUST BE GREATER THAN THE PLUG'S OD WHICH MUST HAVE A DIFFERENCE OF LESS THAN OR EQUAL TO 0.50mm. (AS SHOWN IN FIGURE 1.)



SCHEMATIC



NO	DESCRIPTION	QTY	MATERIAL	PLATING & COLOR
F	SHELL	1	BRASS 0.35T	Ni: 60u" Min
E	SIGNAL (S)	1	COPPER ALLOY 0.3T	GOLD FLASH OVER Ni: 50u"
D	CONTACT (+)	1	COPPER ALLOY 0.3T	GOLD FLASH OVER Ni: 50u"
C	SPRING (-)	1	COPPER ALLOY 0.3T	GOLD FLASH OVER Ni: 50u"
B	COVER	1	HIGH TEMP. THERMOPLASTIC UL 94V-0	YELLOW (123C)
A	HOUSING	1	HIGH TEMP. THERMOPLASTIC UL 94V-0	YELLOW (123C)

UNLESS OTHERWISE SPECIFIED TOLERANCES

Singatron Enterprise Co., Ltd.

RECOMMENDED P.C.B LAYOUT  
 TOP VIEW (TOLERANCE: ±0.05)

DC POWER JACK			
TITLE	DWN	ZhenYu-01	PART NO. 2DC1003-022511F
DECMALS:	X.XX	: ±0.3	X.XX : ±1°
APVD	Yjm-deng	SCALE: 3:1	UNIT: mm
CUSTOMER COPY		SIZE: A3	SHEET: 1 OF 1