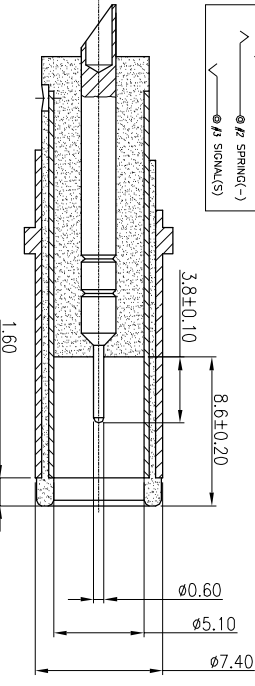
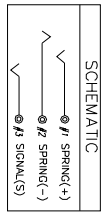


REV	ECN NO	OR DESCRIPTION	REVISED	DATE
A	PDR NO.: T150611-3A		Wenshuo	2016.08.16

- NOTES:
- ELECTRICAL PERFORMANCES:
 - CURRENT RATING: 20V 13A
 - CONTACT RESISTANCE: 10 mΩ (Initial) 30mΩ (after life test)
 - INSULATION RESISTANCE: 100 MΩ MIN.
 - DIELECTRIC WITHS TANDING VOLTAGE: 150V AC FOR 1 MINUTE.
 - MECHANICAL PERFORMANCES:
 - INSERTION FORCE: 2.0 Kgf MAX
 - WITHDRAWAL FORCE: 0.7~2.0kgf;(Initial);0.6~2.0kgf;(After Life Test)
 - MECHANICAL OPERATION: 5000 CYCLES.
 - OPERATING TEMPERATURE: -40°C TO 85°C
 - HALOGEN FREE PRODUCT IDENTIFICATION MARK ON JACK:
 - TO CONFORM TO SINGATRON HAZARDOUS SUBSTANCE FREE SPEC.
 - FOR HAND SOLDERING LEAD-FREE PROCESS.
 - PRINTED DATE CODE "YMMD" ON TOP OF CONNECTOR.

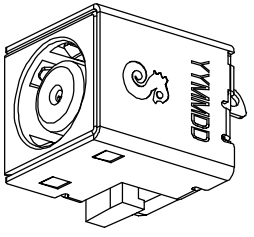
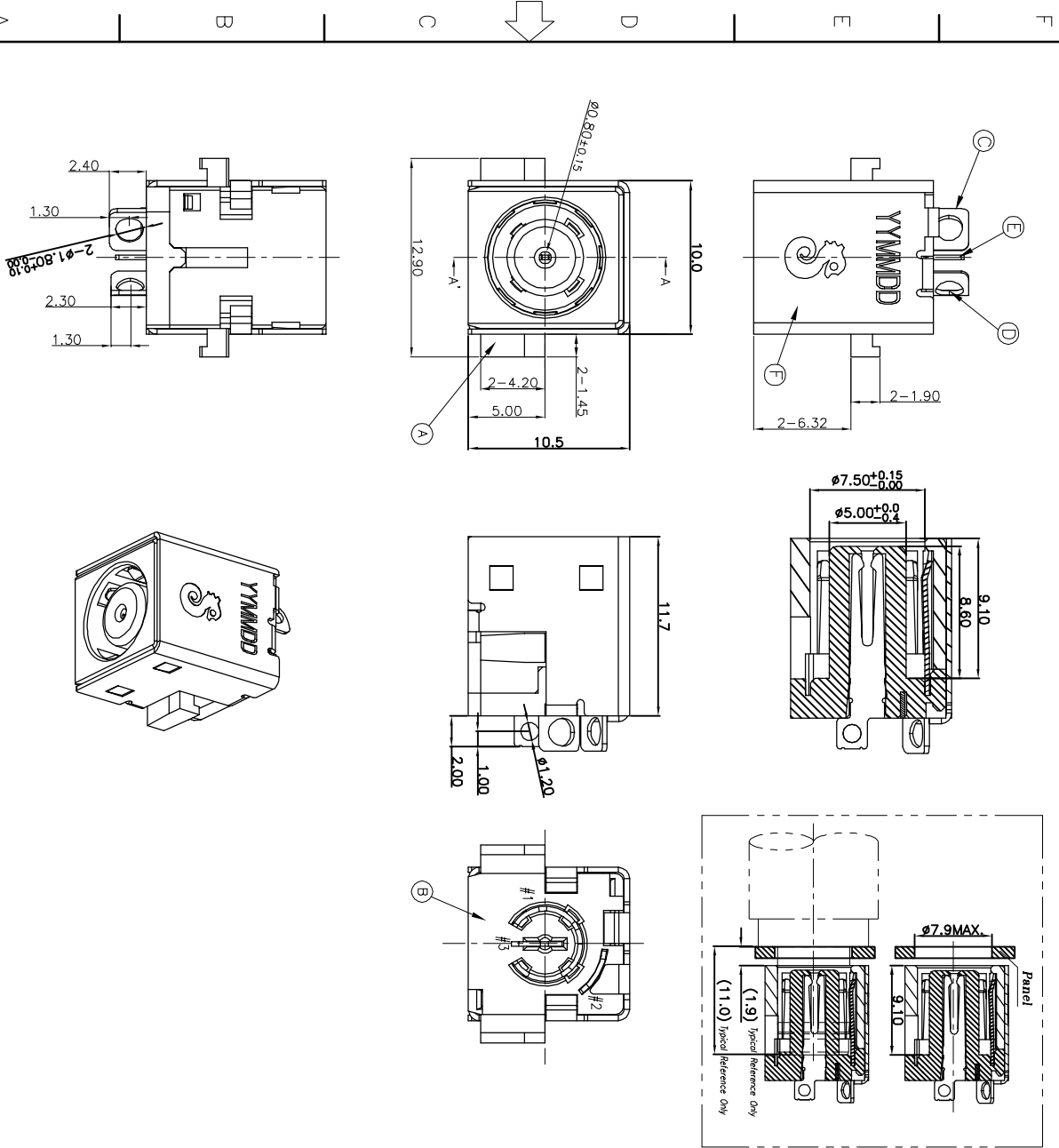
DATE CODE: YMMD

DD: DAY
MM: MONTH
YY: YEAR



MATING PLUG: OD Ø7.4 ; ID Ø0.6

TOLERANCE: ±0.05



F	SHELL	1	BRASS 0.35t	NICKEL(60u"Min.) PLATING
E	SIGNAL (S)	1	COPPER ALLOY 0.3t	GOLD FLASH(1~3u") PLATING
D	CONTACT (+)	1	COPPER ALLOY 0.3t	Gold Flash On Contact, Min 5u" 120u" Min On Solder Tail
C	SPRING (-)	1	COPPER ALLOY 0.3t	Over 5u" 50u" Min.
B	COVER	1	HIGH TEMP. THERMOPLASTICUL 94V-0	BLACK
A	BODY	1	HIGH TEMP. THERMOPLASTICUL 94V-0	BLACK
NO	DESCRIPTION		MATERIAL	PLATING & COLOR

UNLESS OTHERWISE SPECIFIED TOLERANCES

DECIMALS: ANGLES:

X : ±0.5 X : ±2°
XX : ±0.3 XX : ±1°
XXX : ±0.2

Singatron Enterprise Co., Ltd.
信管企業股份有限公司

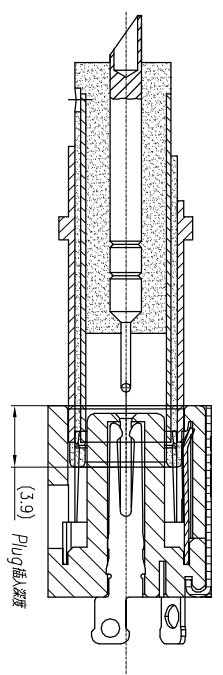
DC POWER JACK

DWN	Wenshuo	PART NO. 2DC1003-026111F
CHKD		SCALE: 4:1 UNIT: mm
APVD		SIZE: A3 SHEET: 1 OF 2 REV: A

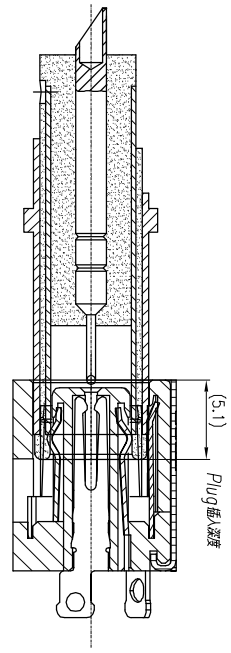
CUSTOMER COPY

REV	ECN NO OR DESCRIPTION	REVISED	DATE
A	PDR NO.: T150611-3A	Wenshuo	2016.08.16

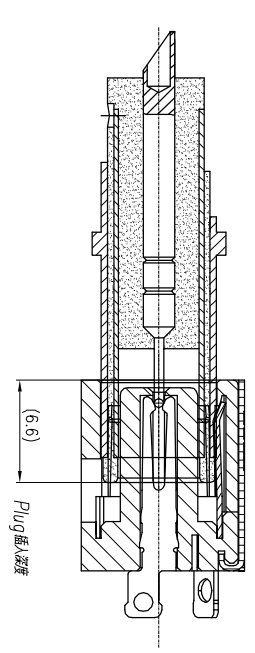
1. 負極接觸狀態



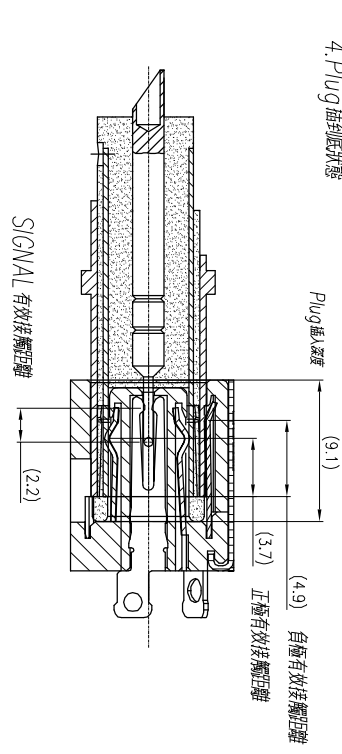
2. 正極接觸狀態



3. SIGNAL 接觸狀態




4. Plug 插到底狀態



UNLESS OTHERWISE SPECIFIED TOLERANCES

DECIMALS:	ANGLES:
X : ±0.5	X : ±2°
X.X : ±0.3	X.X : ±1°
X.XX : ±0.2	

 Singatron Enterprise Co., Ltd. 信晉企業股份有限公司	
TITLE	MATING DRAWING
DWN	Wenshuo
CHKD	
APVD	
PART NO.	2DC1003-026111F
SCALE:	3:1
SIZE:	A3
UNIT:	mm
SHEET:	2 OF 2
REV:	A

CUSTOMER COPY