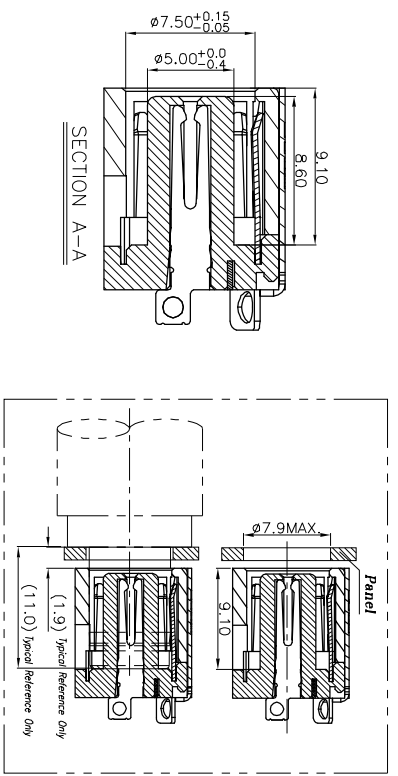


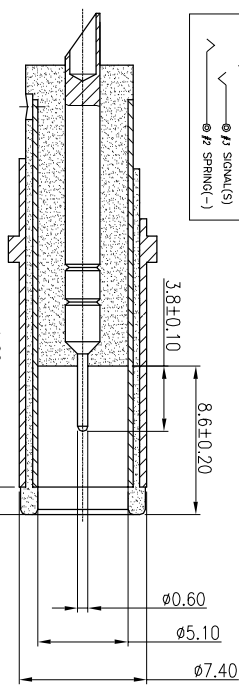
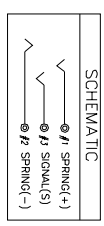
REV.	ECN NO.	OR DESCRIPTION	REVISED	DATE
A	PDR NO.: T160810-1A		Wenshuo	2016.11.02



- NOTES:
- ELECTRICAL PERFORMANCES:
    - CURRENT RATING: 20V 13A
    - CONTACT RESISTANCE: 10 mΩ (Initial) 30mΩ (after life test)
    - INSULATION RESISTANCE: 100 MΩ MIN.
    - DIELECTRIC WITHS TANDING VOLTAGE: 150V AC FOR 1 MINUTE.
  - MECHANICAL PERFORMANCES:
    - INSERTION FORCE: 2.0 Kgf MAX
    - WITHDRAWAL FORCE: 0.7~2.0kgf (Initial); 0.6~2.0kgf (After Life Test)
    - MECHANICAL OPERATION: 5000 CYCLES.
    - OPERATING TEMPERATURE: -40°C TO 85°C
    - HALOGEN FREE PRODUCT IDENTIFICATION MARK ON JACK:
    - HALOGEN FREE PRODUCT IDENTIFICATION LABEL ON PACKAGING:
    - TO CONFORM TO SINGATRON HAZARDOUS SUBSTANCE FREE SPEC.
    - FOR HAND SOLDERING LEAD-FREE PROCESS.
    - PRINTED DATE CODE "YYMMDD" ON TOP OF CONNECTOR.

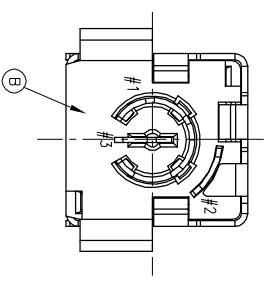
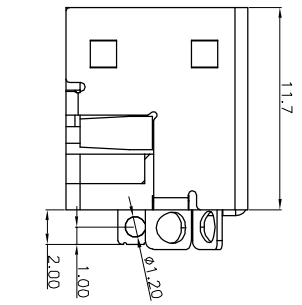
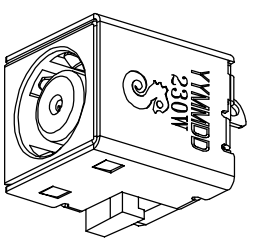
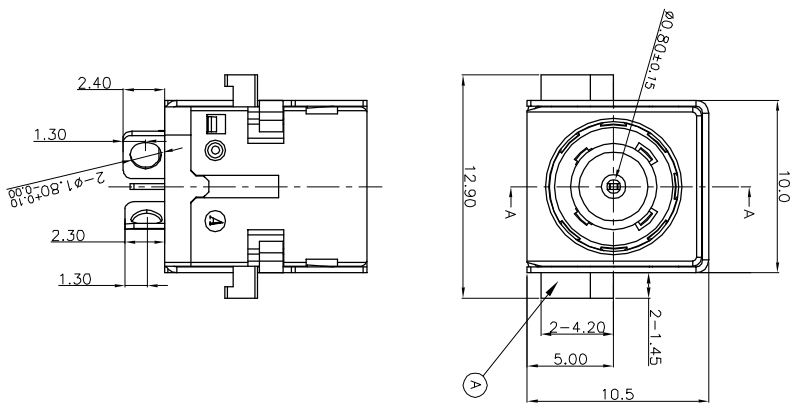
DATE CODE: YYMMDD

DD: DAY  
MM: MONTH  
YY: YEAR



MATING PLUG: OD  $\phi 7.4$  ; ID  $\phi 0.6$

TOLERANCE:  $\pm 0.05$



F	SHELL	1	BRASS 0.35t	NICKEL(60u"Min) PLATING
E	SIGNAL (S)	1	COPPER ALLOY 0.3t	GOLD FLASH(~3u") PLATING
D	CONTACT (+)	1	COPPER ALLOY 0.3t	Gold Flash On Contact, Min 5t 120u" Min On Solder Tail Over Min 50u" Min
C	SPRING (-)	1	COPPER ALLOY 0.3t	
B	COVER	1	HIGH TEMP. THERMOPLASTICUL 94V-0	RED 200C
A	BODY	1	HIGH TEMP. THERMOPLASTICUL 94V-0	RED 200C
NO	DESCRIPTION	QTY	MATERIAL	PLATING & COLOR

UNLESS OTHERWISE SPECIFIED TOLERANCES

Singatron Enterprise Co., Ltd.  
信音企業股份有限公司

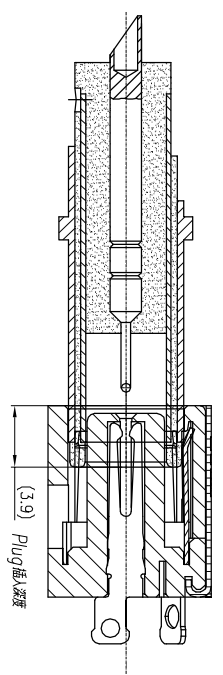
DC POWER JACK

TITLE	DC POWER JACK
DWN	Wenshuo
CHKD	Sky
APVD	Lussen
PART NO.	2DC1003-030131F
SCALE:	4:1
UNIT:	mm
SIZE:	A3
SHEET:	1 OF 2
REV:	A

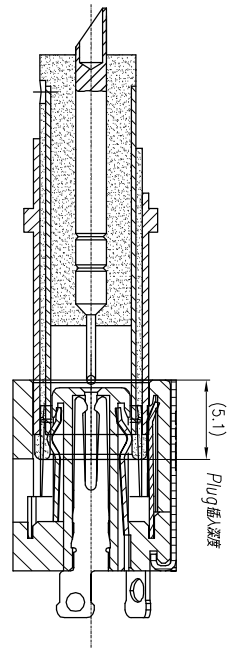
CUSTOMER COPY

REV	ECN NO OR DESCRIPTION	REVISED	DATE
A	PDR NO.: T160810-1A	Wenshuo	2016.11.02

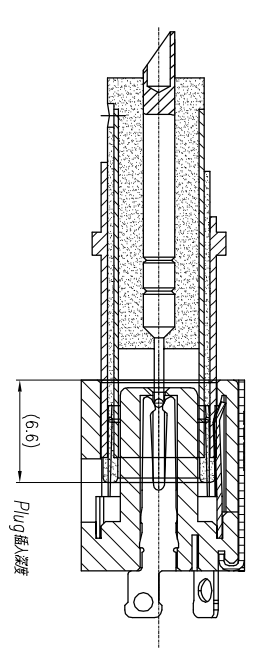
1. 負極接觸狀態



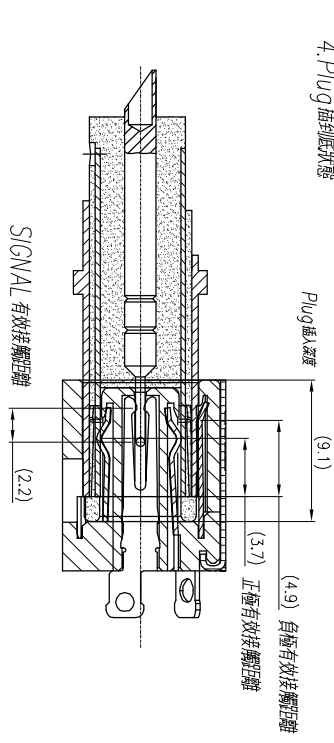
2. 正極接觸狀態



3. SIGNAL 接觸狀態




4. Plug 插到底狀態



UNLESS OTHERWISE SPECIFIED TOLERANCES

DECIMALS:	ANGLES:
X :±0.5	X :±2°
X.X :±0.3	X.X :±1°
X.XX :±0.2	

 Singatron Enterprise Co., Ltd.  
 信番企業股份有限公司

TITLE		MATING DRAWING	
DWN	Wenshuo	PART NO.	2DC1003-030131F
CHKD	Sky	SCALE:	3:1
APVD	Lussen	SIZE:	A3
		UNIT:	mm
		SHEET:	2 OF 2
		REV:	A

CUSTOMER COPY