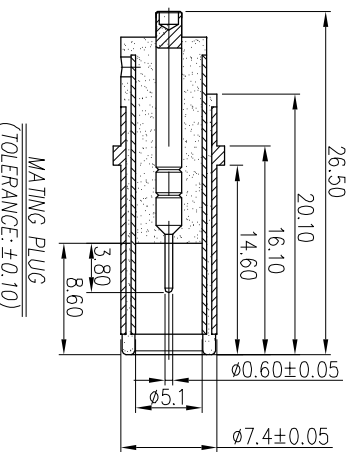
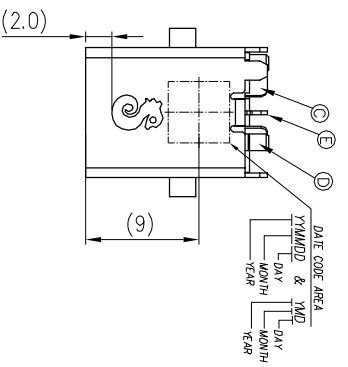
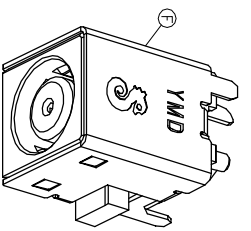


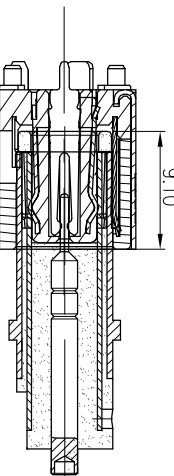
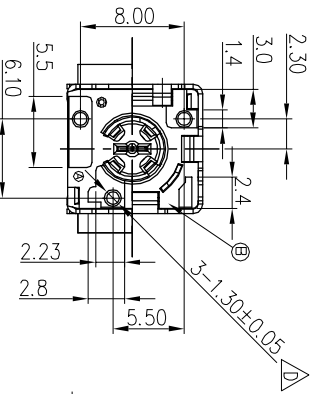
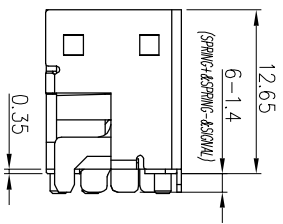
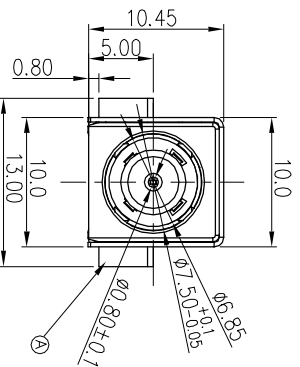
REV.	ECN NO.	OR DESCRIPTION	REVISED	DATE
A	PDR NO: T170615-3A	Boru	2018.03.30	
B	ECN NO: S190110-C	Peng	2019.02.26	
C	ECN NO: S190721-R	Sugar	2019.08.12	
D	ECN NO: S202003-C24	Sugar	2020.06.24	

Specifications:

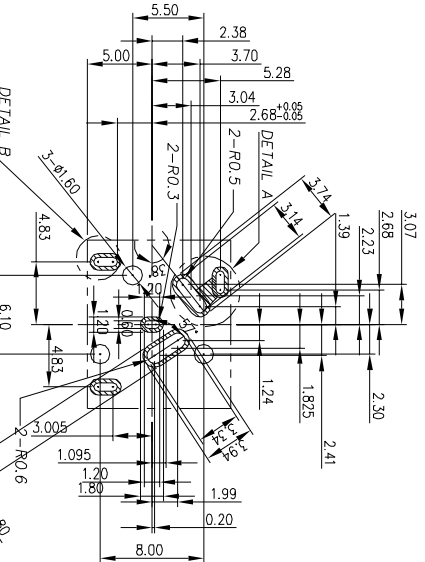
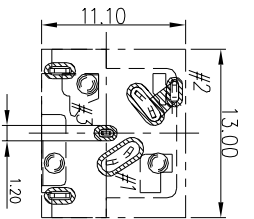
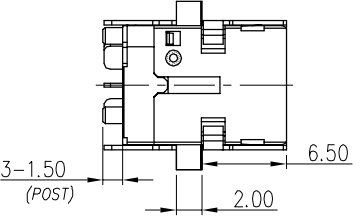
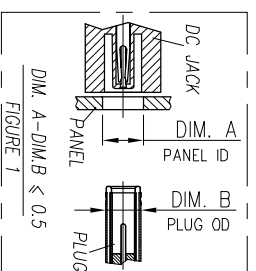
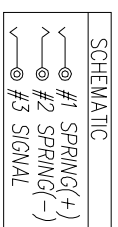
- ELECTRICAL CHARACTERISTICS:
  - RATING: 20V 13A
  - CONTACT RESISTANCE: 20mΩMAX (INITIAL), 30mΩMAX (FINAL)
  - CONTACT WITHSTANDING VOLTAGE: 150V AC FOR ONE MINUTE.
  - INSULATION RESISTANCE: 100MΩ/MIN. MEASURED BY 500 VDC
- MECHANICAL CHARACTERISTICS:
  - INSERTION FORCE: 1.0~2.5KGf
  - WITHDRAWAL FORCE: 1.0~2.5KGf
  - LIFE TEST: 5,000 CYCLES MIN.
- OTHER GENERAL SPEC. TO REFER "20C1003-032313F" SPEC.
- CONFORM TO SINGATRON HAZARDOUS SUBSTANCE FREE SPEC.
- HALOGEN FREE PRODUCT IDENTIFICATION MARK ON PRODUCT:
- HALOGEN FREE PRODUCT IDENTIFICATION LOGO ON THE PACKAGING:
- FOR REFLOW SOLDERING LEAD-FREE PROCESS.
- THE PANEL'S ID MUST BE GREATER THAN THE PLUG'S OD WHICH MUST HAVE A DIFFERENCE OF LESS THAN OR EQUAL TO 0.5 mm. (AS SHOWN IN FIGURE 1)



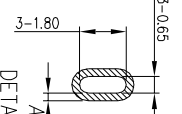
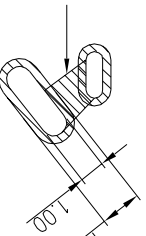
MATING PLUG  
(TOLERANCE: ±0.10)



PLUG FULL MATING STATUS



The area can weld (comprehend Spring(-) & Shell)



Recommended PCB Layout  
<TOP VIEW> TOLERANCE: ±0.05

NO	DESCRIPTION	MATERIAL	PLATING & COLOR
A	HOUSING	BRASS	BLACK
F	SHELL	BRASS 0.35t	Ni 60u" Min.
E	SIGNAL	COPPER ALLOY 0.3t	50-80u" ON CONTACT AREA
D	SPRING (+)	COPPER ALLOY 0.3t	50-80u" ON SOLDER AREA
C	SPRING (-)	COPPER ALLOY 0.3t	ALL OVER Ni 50 u"
B	COVER	COPPER ALLOY 0.3t	BLACK
A	HOUSING	UL 94V-0 THERMOPLASTIC	BLACK
UNLESS OTHERWISE SPECIFIED TOLERANCES			
SINGATRON ENTERPRISE CO., LTD.			

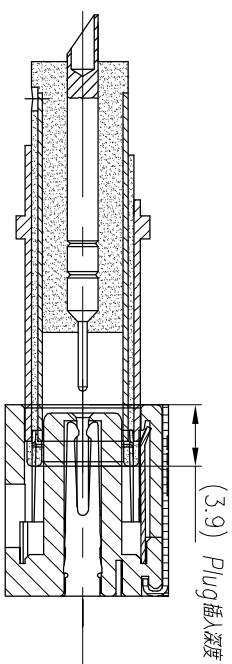
DECIMALS:	ANGLES:
X : ±0.5	X : ±2°
XX : ±0.3	XX : ±1°
XXX : ±0.2	

TITLE	DC POWER JACK
DWM	Sugar PART NO. 20C1003-032313F
CHKD	Spring SCALE 4:1 UNIT: mm
APVD	Lussen SIZE: A3 SHEET: 1 OF 2 REV: D

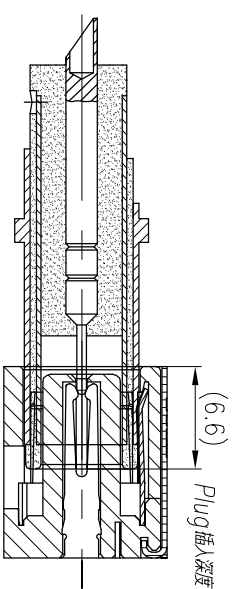
CUSTOMER COPY

REV.	ECN NO OR DESCRIPTION	REVISED	DATE
A	PDR NO: T170615-3A	Boru	2018.03.30
B	ECN NO: S190110-C	Peng	2019.02.26
C	ECN NO: S190721-R	Sugar	2019.08.12
D	ECN NO: S202003-C24/△	Sugar	2020.06.24

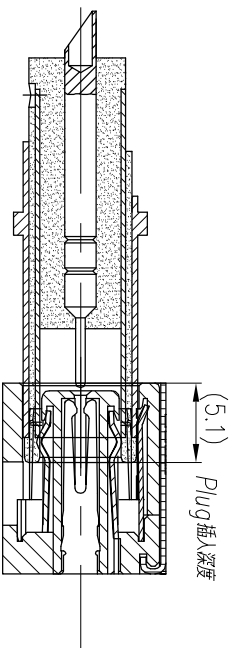
1. 負極接觸狀態



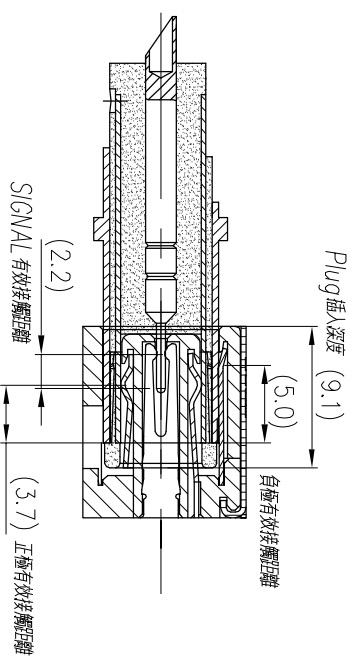
3. SIGNAL 接觸狀態



2. 正極接觸狀態



4. FULL MATING 狀態



UNLESS OTHERWISE SPECIFIED TOLERANCES

Singatron Enterprise Co., Ltd.  
信音企業股份有限公司

DECIMALS: ANGLES:

TITLE MATING DRAWING

X : ±0.5 X : ±2°  
XX : ±0.3 X.X : ±1°  
X.XX : ±0.2

DWM Sugar PART NO. 2DC1003-032313F  
CHKD Spring SCALE: 3:1 UNIT: mm  
APVD Lussen SIZE: A3 SHEET: 2 OF 2 REV: D

CUSTOMER COPY