

| NO | DESCRIPTION | QTY | MATERIAL                | PLATING & COLOR            |
|----|-------------|-----|-------------------------|----------------------------|
| A  | HOUSING     | 1   | UL 94V-0                | BLACK                      |
| B  | COVER       | 1   | HIGH TEMP THERMOPLASTIC | BLACK                      |
| C  | SPRING (-)  | 1   | COPPER ALLOY 0.31       | ALT OVER IN 50U            |
| D  | SPRING (+)  | 1   | COPPER ALLOY 0.31       | COLD FLASH ON SOLDER AREA, |
| E  | SIGNAL (S)  | 1   | COPPER ALLOY 0.31       | AU 50U ON CONTACT AREA,    |
| F  | SHELL       | 1   | BRASS 0.35t             | IN 80U MIN                 |

UNLESS OTHERWISE SPECIFIED TOLERANCES

DECIMALS: ANGLES:

X : ±0.5 X : ±.2

X.X : ±0.3 X.X : ±.1

XXX : ±0.2

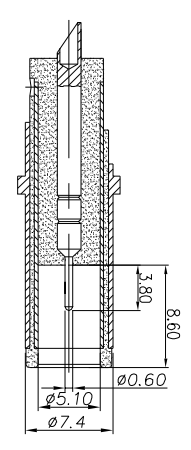
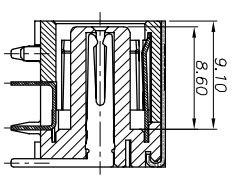
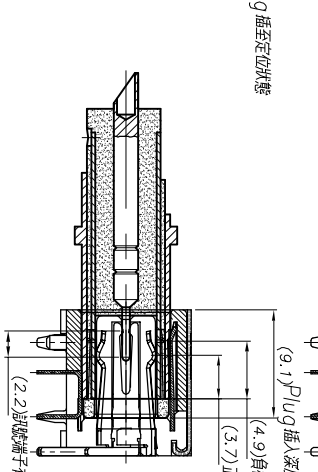
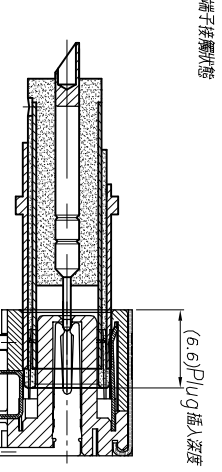
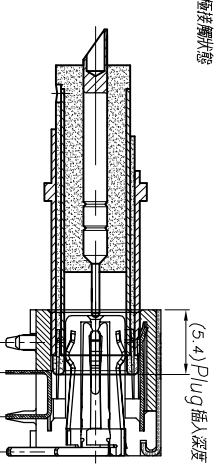
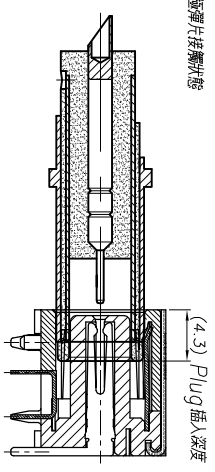
MATING PLUG: OD  $\phi 7.4$ ; ID  $\phi 0.6$   
Tolerance: ±0.05

- RECOMMENDED P.C.B LAYOUT TOP VIEW (Tolerance: ±0.05)
1. ELECTRICAL CHARACTERISTICS:
- 1-1. RATING: DC 30V, 10A
  - 1-2. CONTACT RESISTANCE: 20m $\Omega$  MAX (INITIAL); 30m $\Omega$  (AFTER TEST)
  - 1-3. DIELECTRIC WITHSTANDING VOLTAGE: 150V AC FOR ONE MINUTE
  - 1-4. INSULATION RESISTANCE: 100M $\Omega$  MIN. MEASURED BY 500 VDC
2. MECHANICAL CHARACTERISTICS:
- 2-1. INSERTION FORCE: 3.0 KGF Max.
  - 2-2. WITHDRAWAL FORCE: 0.35 KGF Min.
3. LIFE TEST: 5000 CYCLES MIN.
4. OTHER GENERAL SPEC. TO REFER "20C1003 SERIES SPEC."
5. TO CONFORM TO SINGATRON HAZARDOUS SUBSTANCE FREE SPEC.
6. HALOGEN FREE PRODUCT IDENTIFICATION MARK ON PRODUCT:
7. HALOGEN FREE PRODUCT IDENTIFICATION LOGO ON PACKAGING:
8. FOR REFLOW SOLDERING LEAD-FREE PROCESS.

REV. EGN NO OR DESCRIPTION

| REV | DESCRIPTION         | REVISION | DATE      |
|-----|---------------------|----------|-----------|
| A   | PDR No.: T160819-1A | Rev      | 201701.19 |

|     |                       |         |            |
|-----|-----------------------|---------|------------|
| REV | ECN NO OR DESCRIPTION | REVISED | DATE       |
| A   | PDR No.: T160819-1A   | Ron     | 2017.01.19 |



|                                       |             |                         |          |                 |
|---------------------------------------|-------------|-------------------------|----------|-----------------|
| NO                                    | DESCRIPTION | QTY                     | MATERIAL | PLATING & COLOR |
| UNLESS OTHERWISE SPECIFIED TOLERANCES |             |                         |          |                 |
| DECIMALS: ANGLES:                     |             |                         |          |                 |
| X                                     | :±0.5       | X                       | :±2°     |                 |
| X.X                                   | :±0.3       | X.X                     | :±1°     |                 |
| X.XX                                  | :±0.2       |                         |          |                 |
| TITLE: DC JACK                        |             |                         |          |                 |
| DWN                                   | Ron         | PART NO.2DC1003-036111F |          |                 |
| CHKD                                  |             | SCALE                   | 1:1      | UNIT: mm        |
| APVD                                  |             | SIZE                    | A3       | SHEET: 20F2     |
| REV: A                                |             |                         |          |                 |

CUSTOMER COPY

信音企業股份有限公司  
Singatron Enterprise Co., Ltd.