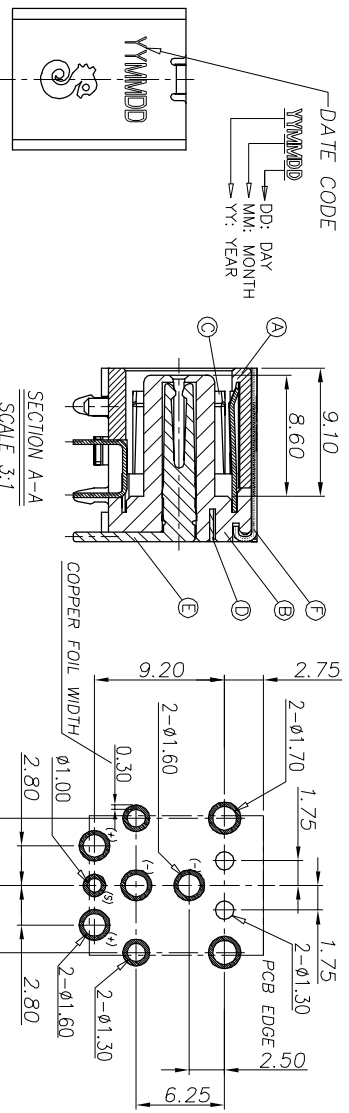
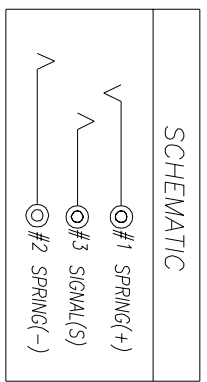
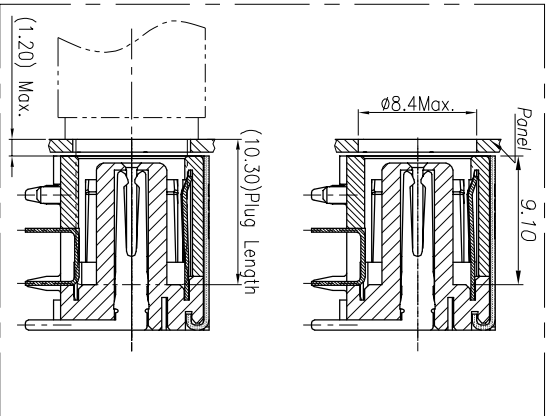
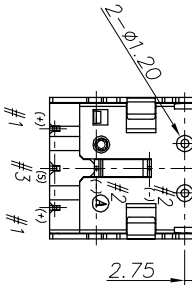
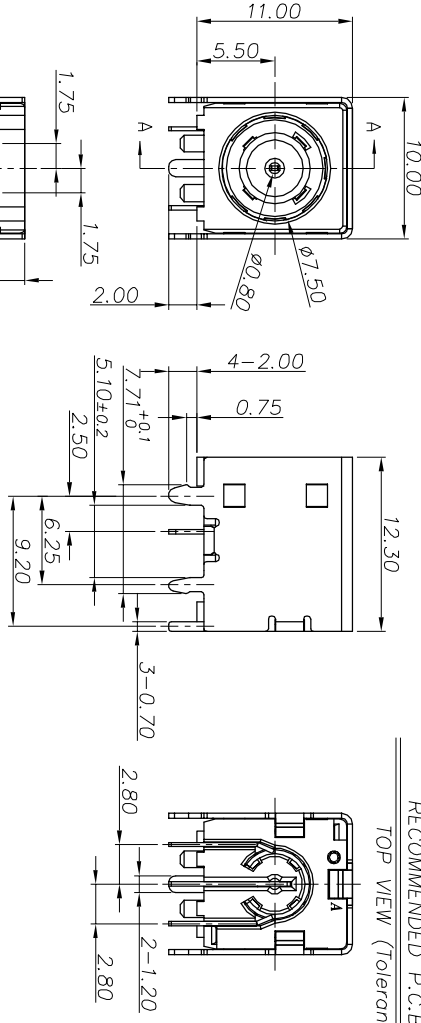


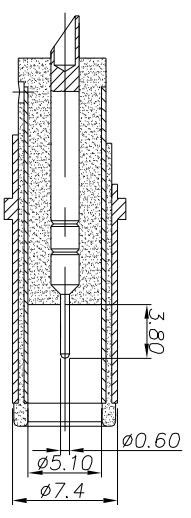
REV	ECN NO	OR DESCRIPTION	REVISED	DATE
A		PDR No.: T160819-2A	Ron	2016.12.13
B		ECN No.: S171109-C	YUREN	2018.3.23



RECOMMENDED P.C.B LAYOUT
TOP VIEW (Tolerance:±0.05)



- SPECIFICATIONS:
- ELECTRICAL CHARACTERISTICS:
 - RATING: 42V 10A
 - CONTACT RESISTANCE: 20mΩ MAX.(INITIAL); 50mΩ (AFTER TEST)
 - DIELECTRIC WITHSTANDING VOLTAGE: 150V AC FOR ONE MINUTE.
 - INSULATION RESISTANCE: 100MΩ MIN. MEASURED BY 500 VDC
 - MECHANICAL CHARACTERISTICS:
 - INSERTION FORCE : 3.0kgf Max(Initial) 1.0~2.5kgf(After life)
 - WITHDRAWAL FORCE : 1.0~2.5kgf(Initial and after life)
 - LIFE TEST: 5,000 CYCLES MIN.
 - OTHER GENERAL SPEC. TO REFER "2DC1003-037111F SPEC".
 - TO CONFORM TO SINGATRON HAZARDOUS SUBSTANCE FREE SPEC.
 - HALOGEN FREE PRODUCT IDENTIFICATION MARK ON PRODUCT
 - HALOGEN FREE PRODUCT IDENTIFICATION LOGO ON PACKAGING:
 - FOR REFLOW SOLDERING LEAD-FREE PROCESS.



MATING PLUG: OD Ø7.4 ; ID Ø0.6
Tolerance:±0.05

NO	DESCRIPTION	QTY	MATERIAL	PLATING & COLOR
F	SHELL	1	BRASS 0.35t	Ni 60u" Min.
E	SIGNAL (S)	1	COPPER ALLOY 0.3t	GOLD FLASH OVER Ni 50u"
D	CONTACT (+)	1	COPPER ALLOY 0.3t	GOLD FLASH OVER Ni 50u"
C	SPRING (-)	1	COPPER ALLOY 0.3t	GOLD FLASH OVER Ni 50u"
B	COVER	1	HIGH TEMP. THERMOPLASTIC III 94V-0	BLACK
A	HOUSING	1	HIGH TEMP. THERMOPLASTIC III 94V-0	BLACK

UNLESS OTHERWISE SPECIFIED TOLERANCES

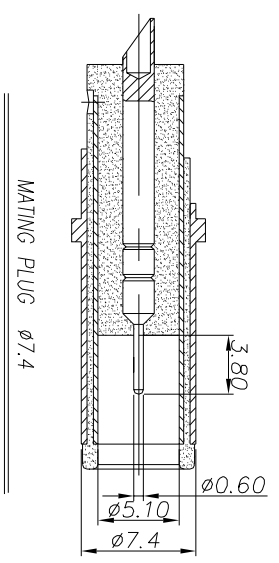
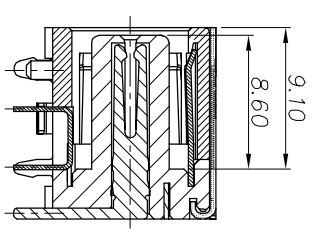
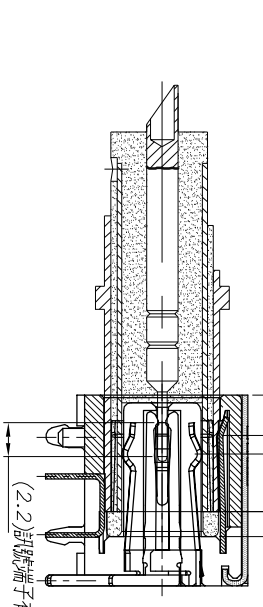
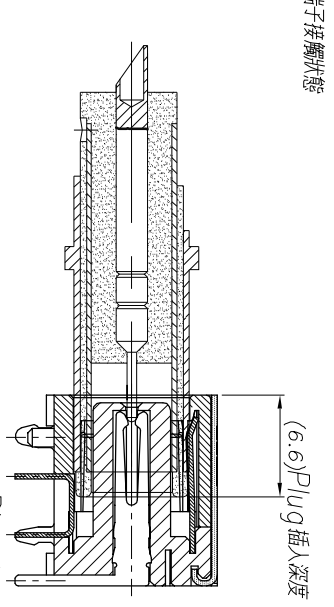
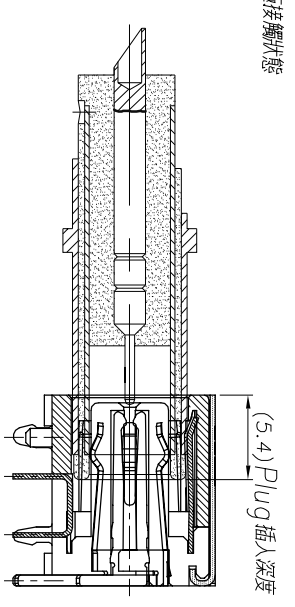
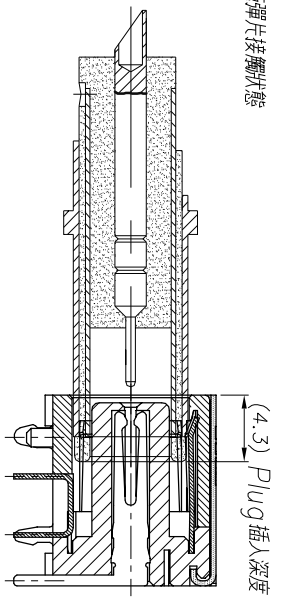
DECIMALS:	ANGLES:
X :±0.5	X :±2°
X.X :±0.3	X.X :±1°
X.XX :±0.2	

TITLE	DC POWER JACK
DWN YUREN	PART NO.2DC1003-037111F
CHKD Spring	SCALE 3:1 UNIT: mm
APVD Lussen	SIZE: A3 SHEET:1 OF 2 REV:B

CUSTOMER COPY

Singatron Enterprise Co., Ltd.
信晉企業股份有限公司

REV	ECN NO.	OR DESCRIPTION	REVISED	DATE
A	PDR No.:	T160819-2A	Ron	2016.12.13
B	ECN No.:	S171109-C	YUREN	2018.3.23



NO	DESCRIPTION	QTY	MATERIAL	PLATING & COLOR
UNLESS OTHERWISE SPECIFIED TOLERANCES				
Singatron Enterprise Co., Ltd. 信晉企業股份有限公司				
TITLE: DC JACK				
DWN	YUREN	PART NO.	2DC1003-037111F	
CHKD	Spring	SCALE	1:1	UNIT: mm
APVD	Lussen	SIZE:	A3	SHEET: 20F2
REV: B				

NO	DESCRIPTION	QTY	MATERIAL	PLATING & COLOR
DECIMALS: ANGLES:				
X	:±0.5	X	:±2°	
X X	:±0.3	X X	:±1°	
X XX	:±0.2			

CUSTOMER COPY