

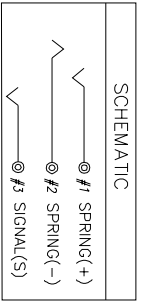
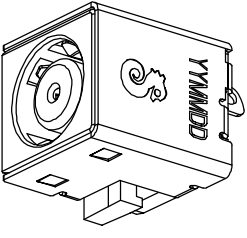
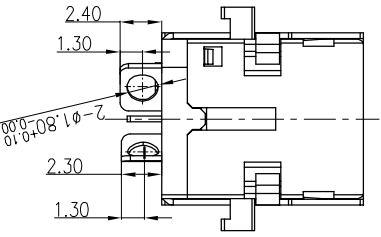
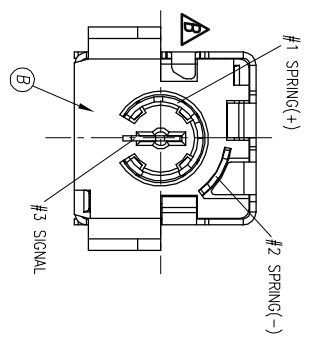
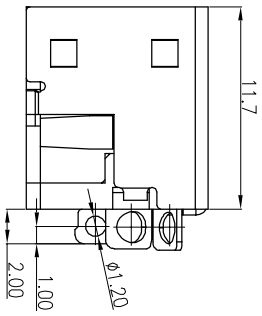
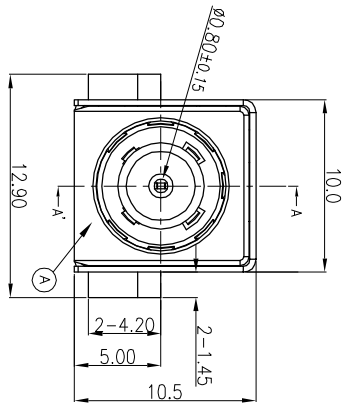
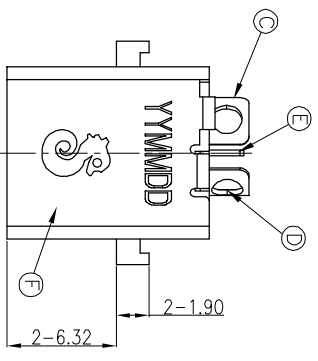
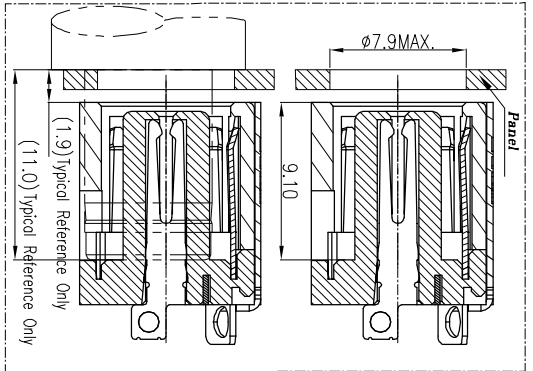
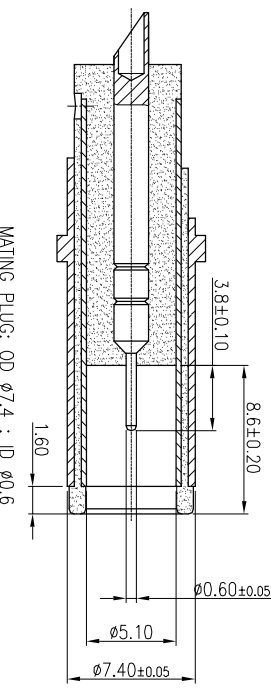
REV	ECN NO	OR DESCRIPTION	REVISED	DATE
A	PDR NO.: T181217-2A		Zhijun	2018.12.20
B	ECN NO.: S190607-0		Springwu	2019.7.31

NOTES:

- ELECTRICAL PERFORMANCES:
  - CURRENT RATING: 20V/13A.
  - CONTACT RESISTANCE: 10 mΩ (Initial), 30mΩ (after life test).
  - CONTACT RESISTANCE: 100 mΩ MIN.
  - DIELECTRIC WITHS TANDING VOLTAGE: 150V AC FOR 1 MINUTE.
- MECHANICAL PERFORMANCES:
  - INSERTION FORCE: 2.0 Kgf MAX
  - WITHDRAWAL FORCE: 0.7~2.0kgf.(Initial);0.6~2.0kgf.(After Life Test)
  - MECHANICAL OPERATION: 5000 CYCLES.
  - OPERATING TEMPERATURE: -40°C TO 85°C
  - HALOGEN FREE PRODUCT IDENTIFICATION MARK ON JACK:
  - HALOGEN FREE PRODUCT IDENTIFICATION LABEL ON PACKAGING:
  - TO CONFORM TO SINGATRON HAZARDOUS SUBSTANCE FREE SPEC.
  - FOR HAND SOLDERING LEAD-FREE PROCESS.
  - PRINTED DATE CODE "YMMDD" ON TOP OF CONNECTOR.

DATE CODE: YMMDD

DD: DAY  
MM: MONTH  
YY: YEAR



F	SHELL	1	BRASS 0.35t	NICKEL(60u"Min.) PLATING
E	SIGNAL (S)	1	COPPER ALLOY 0.3t	GOLD FLASH(1~3u") PLATING
D	CONTACT (+)	1	COPPER ALLOY 0.3t	Gold Flash On Contact, Min 5t 120u" Min On Solder Tail Over Min 50u" Min.
C	SPRING (-)	1	COPPER ALLOY 0.3t	
B	COVER	1	HIGH TEMP. THERMOPLASTICUL 94V-0	BLACK
A	BODY	1	HIGH TEMP. THERMOPLASTICUL 94V-0	BLACK
NO	DESCRIPTION	QTY	MATERIAL	PLATING & COLOR

UNLESS OTHERWISE SPECIED TOLERANCES

Singatron Enterprise Co., Ltd.  
信亨企業股份有限公司

TITLE	DC POWER JACK
DWN	Springwu
CHKD	Sky
APVD	Lussen

DECIMALS: ANGLES:

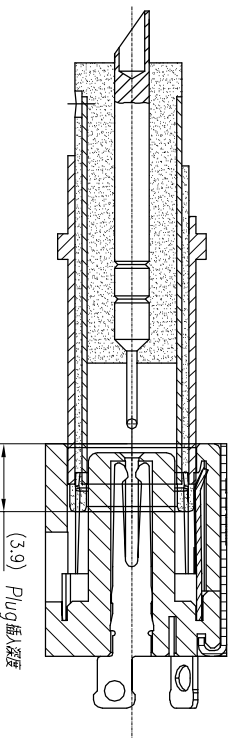
X : ±0.5 X : ±2°  
X.X : ±0.3 X.X : ±1°  
X.XX : ±0.2

PART NO. 2DCT1003-043111F  
SCALE: 4:1 UNIT: mm  
SIZE: A3 SHEET: 1 OF 2 REV: B

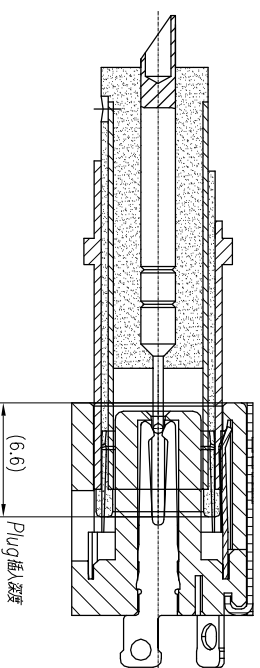
CUSTOMER COPY

REV.	ECN NO.	OR DESCRIPTION	REVISED	DATE
A	PDR NO.: T181217-2A		Zhijun	2018.12.20
B	ECN NO.: S190607-0	<b>A</b>	Springwu	2019.7.31

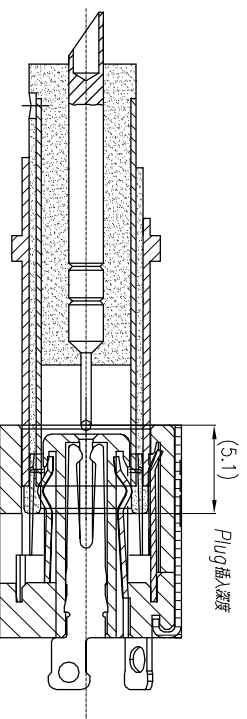
1. 負極接觸狀態



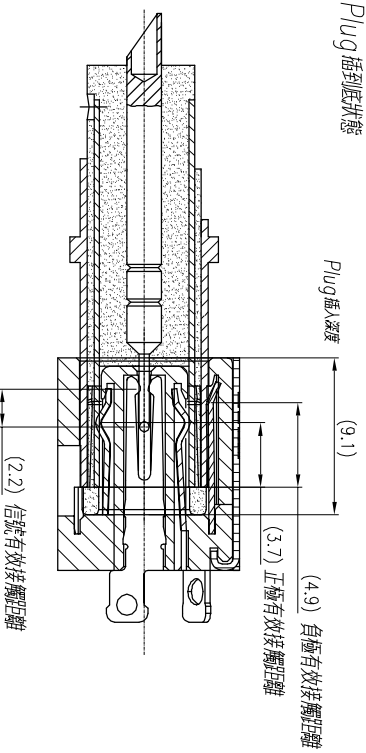
3. SIGNAL 接觸狀態



2. 正極接觸狀態



4. Plug 插到底狀態



NO	DESCRIPTION	QTY	MATERIAL	PLATING & COLOR
	UNLESS OTHERWISE SPECIFIED TOLERANCES			
	Singotron Enterprise Co., Ltd. 信亨企業股份有限公司			

DECIMALS: ANGLES:

X :±0.5 X :±2°  
 X.X :±0.3 X.X :±1°  
 X.XX :±0.2

TITLE DC POWER JACK

DWN Springwu PART NO. 2DC1003-043111F

CHKD Sky SCALE:4:1 UNIT: mm

APVD Lussen SIZE: A3 SHEET: 2 OF 2 REV: B

CUSTOMER COPY