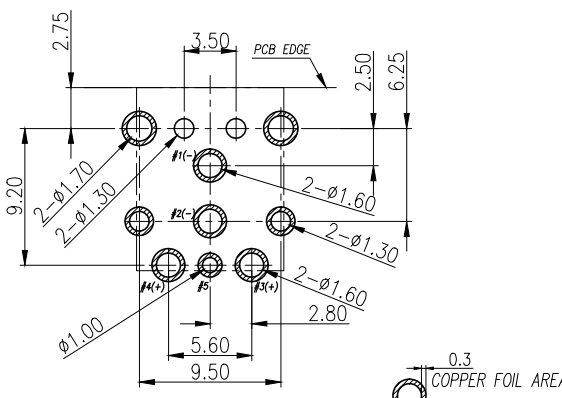
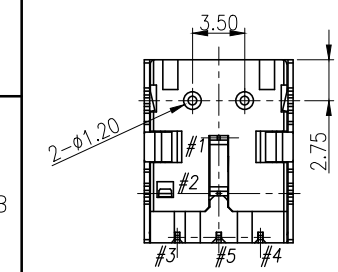
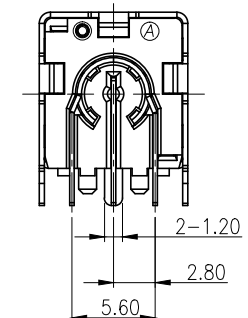
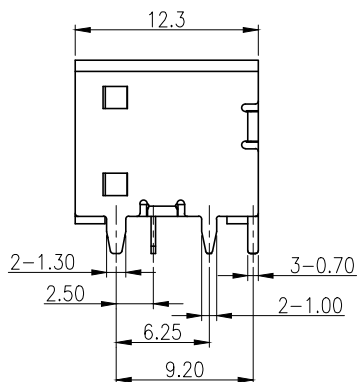
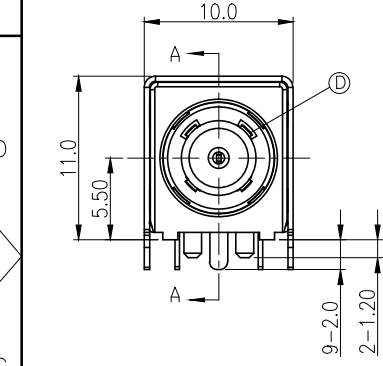
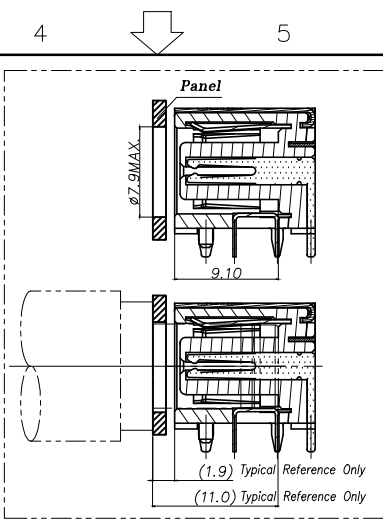
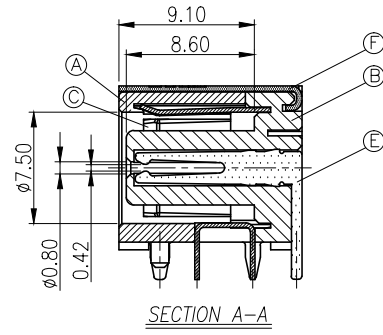
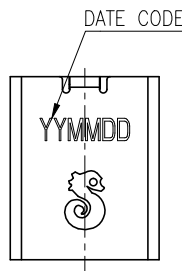
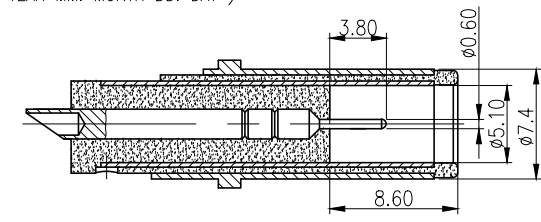


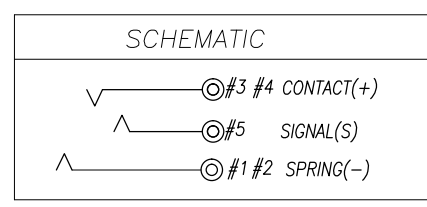
REV.	ECN NO OR DESCRIPTION	REVISED	DATE
A	PDR NO.:T211028-5A	JIE-FU	2022.12.16



- SPECIFICATIONS:
- ELECTRICAL CHARACTERISTICS:
 - RATING: 54V 6.6A
 - CONTACT RESISTANCE: 20mΩ MAX.(INITIAL)
 - DIELECTRIC WITHSTANDING VOLTAGE: 150V AC FOR ONE MINUTE.
 - INSULATION RESISTANCE: 100MΩ MIN. MEASURED BY 500V DC.
 - MECHANICAL CHARACTERISTICS:
 - INSERTION FORCE : 3.0 KGF MAX.
 - WITHDRAWAL FORCE : 0.35 KGF MIN.
 - LIFE TEST: 5,000 CYCLES MIN.
 - OTHER GENERAL SPEC. TO REFER "2DC1003-050111F SPEC".
 - TO CONFORM TO SINGATRON HAZARDOUS SUBSTANCE FREE SPEC.
 - HALOGEN FREE PRODUCT IDENTIFICATION MARK ON PRODUCT:
 - HALOGEN FREE PRODUCT IDENTIFICATION LOGO ON PACKAGING:
 - PRINTED DATE CODE "YYMMDD" ON TOP OF CONNECTOR.
(YY: YEAR MM: MONTH DD: DAY)



MATING PLUG: OD φ7.4 ; ID φ0.6
Tolerance: ±0.05

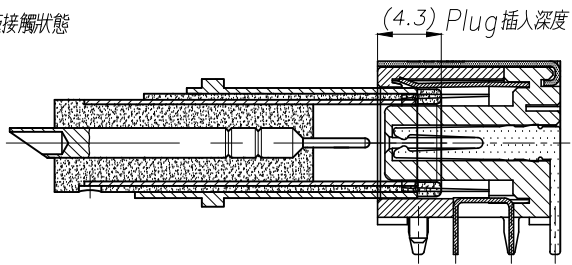


NO	DESCRIPTION	QTY	MATERIAL	PLATING & COLOR
F	SHELL	1	BRASS 0.35t	Ni 60u"MIN
E	SIGNAL (S)	1	COPPER ALLOY 0.3t	Gold flash on contact area; Matte Sn 120u" on Solder Tail; All over Ni 50u"
D	CONTACT	1	COPPER ALLOY 0.3t	
C	SPRING	1	COPPER ALLOY 0.3t	
B	COVER	1	HIGH TEMP. THERMOPLASTIC UL 94V-0	BLACK
A	HOUSING	1	HIGH TEMP. THERMOPLASTIC UL 94V-0	BLACK

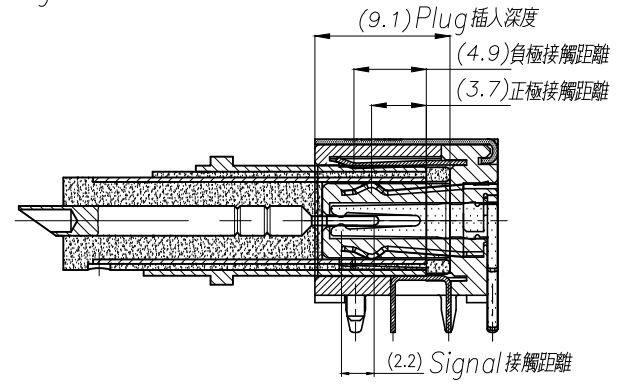
UNLESS OTHERWISE SPECIFIED TOLERANCES		Singatron Enterprise Co., Ltd. 信音企業股份有限公司	
DECIMALS:	ANGLES:	TITLE	
X : ±0.5	X : ±2°	DC POWER JACK	
X.X : ±0.3	X.X : ±1°	DWN	JIE-FU
X.XX : ±0.2		CHKD	LUSSEN
		APVD	LIAO
			SCALE: 3:1
			UNIT: mm
			SIZE: A3
			SHEET: 1 OF 2
			REV: A
CUSTOMER COPY			

REV.	ECN NO OR DESCRIPTION	REVISED	DATE
A	PDR NO.:T211028-5A	JIE-FU	2022.12.16

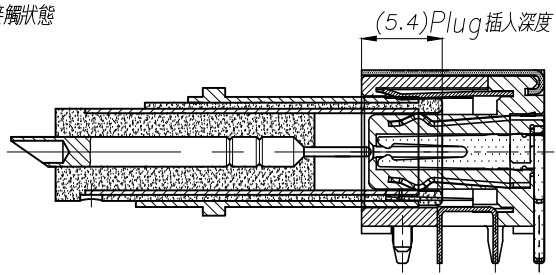
1. 負極接觸狀態



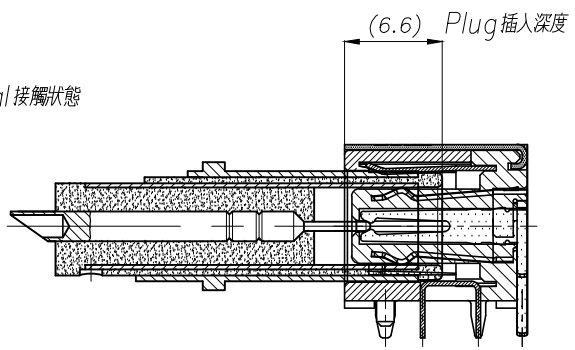
4. Full Mating狀態



2. 正極接觸狀態



3. Signal接觸狀態



NO	DESCRIPTION	QTY	MATERIAL	PLATING & COLOR
UNLESS OTHERWISE SPECIFIED TOLERANCES		Singatron Enterprise Co., Ltd. 信音企業股份有限公司		
DECIMALS:	ANGLES:	TITLE	DC JACK	
X :±0.5	X :±2°	DWN	JIE-FU	PART NO.2DC1003-050111F
X.X :±0.3	X.X :±1°	CHKD	LUSSEN	SCALE 1:1 UNIT: mm
X.XX :±0.2		APVD	LIAO	SIZE: A3 SHEET:2 OF 2 REV:A
CUSTOMER COPY				