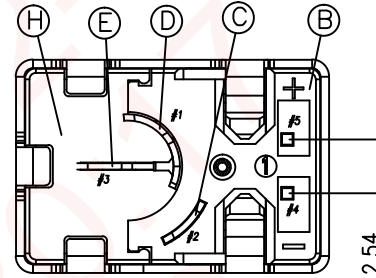
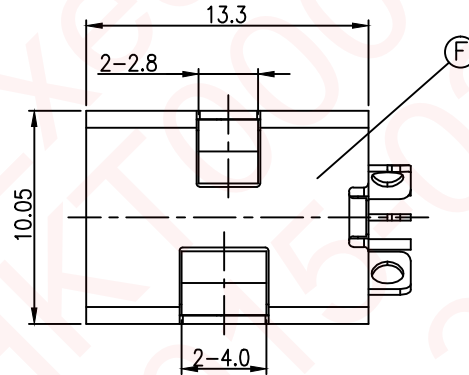
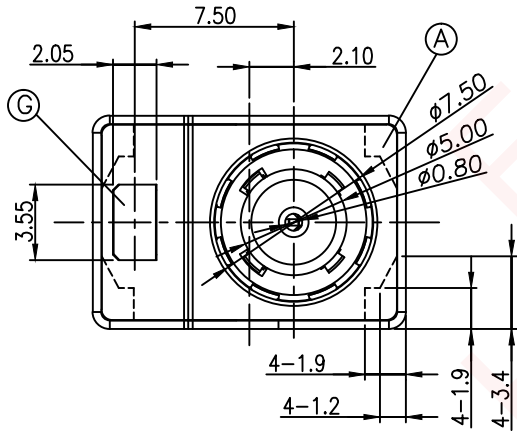
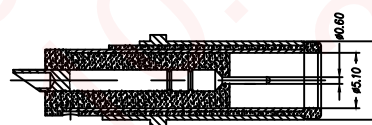
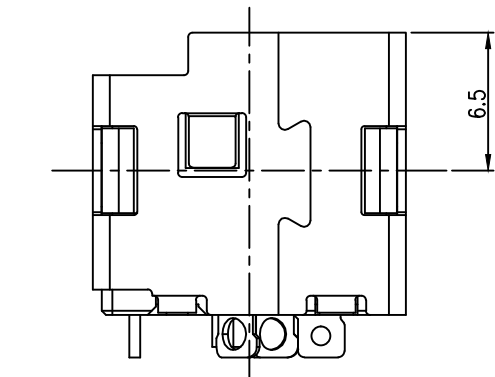
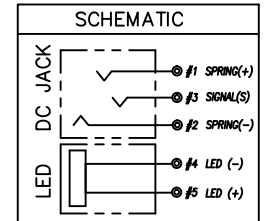


SPECIFICATIONS:

- ELECTRICAL CHARACTERISTICS:
 - 1-1. RATING: 20VDC 10A
 - 1-2. CONTACT RESISTANCE: 20mΩ MAX.(INITIAL)
 - 1-3. JACK SHALL WITHSTAND 500 V AC BETWEEN ANY ADJACENT TERMINAL(EXCEPT LED) FOR ONE MINUTE.
 - 1-4. INSULATION RESISTANCE: 100MΩ MIN. MEASURED BY 500 VDC
- MECHANICAL CHARACTERISTICS:
 - 2-1. INSERTION FORCE : 2.5 KGF MAX.
 - 2-2. WITHDRAWAL FORCE : 0.8 KGF MIN. (INITIAL)
- LIFE TEST: 5,000 CYCLES MIN.
- OTHER GENERAL SPEC. TO REFER "2DC1007 SERIES SPEC".
- TO CONFORM TO SINGATRON HAZARDOUS SUBSTANCE FREE SPEC.
- GREEN PRODUCT IDENTIFICATION MARK ON JACK:
- GREEN PRODUCT IDENTIFICATION LABEL ON PACKAGING:
- FOR HAND SOLDERING LEAD-FREE PROCESS.
- CAUTION: DEVICES ARE CLASS 1 ESD SENSITIVE. PLEASE OBSERVE APPROPRIATE PRECAUTIONS DURING HANDLING AND PROCESSING.



LED Soldering Condition:	
Peak temperature	Dwell time
Soldering Iron 350 °C Max.	3 sec Max. (one time only)



MATING PLUG (TOLERANCE: ±0.05)

ORDER NO.
2DC1007-003111

- PACKAGING
1: BAG
- HOUSING COLOR
1: BLACK
- CONTACT PLATING
1: GOLD-PLATED(5u" Min.)

NO	DESCRIPTION	QTY	MATERIAL	PLATING & COLOR
H	BACK PLATE	1	PA-66 (HALOGEN FREE) UL 94V-0	BLACK
G	LED	1	InGaN Lamps	WHITE LIGHT
F	SHELL	1	SPCC-SD 0.4t	Ni 60u" OVER Cu 80u" Min.
E	SIGNAL	1	COPPER ALLOY	NICKEL UNDERPLATED OVER ALL ,
D	SPRING(+)	1	COPPER ALLOY	GOLD 5u" Min AT CONTACT AREA
C	SPRING(-)	1	COPPER ALLOY	100u"MATTE SN AT WELD AREA .
B	COVER	1	PA-66 (HALOGEN FREE)	BLACK
A	HOUSING	1	UL 94V-0	BLACK

UNLESS OTHERWISE SPECIFIED TOLERANCES

Singatron Enterprise Co., Ltd.
 信音企業股份有限公司

DECIMALS:	ANGLES:	TITLE	DC POWER JACK + LED
X :±0.5	X :±2°	DWN	Ken2014.12.31
X.X :±0.3	X.X :±1°	CHKD	cerry
X.XX :±0.2		APVD	lao

PART NO. 2DC1007-003111

SCALE: 4:1 UNIT: mm

SIZE: A3 SHEET: 1 OF 1 **REV:H**

CUSTOMER COPY