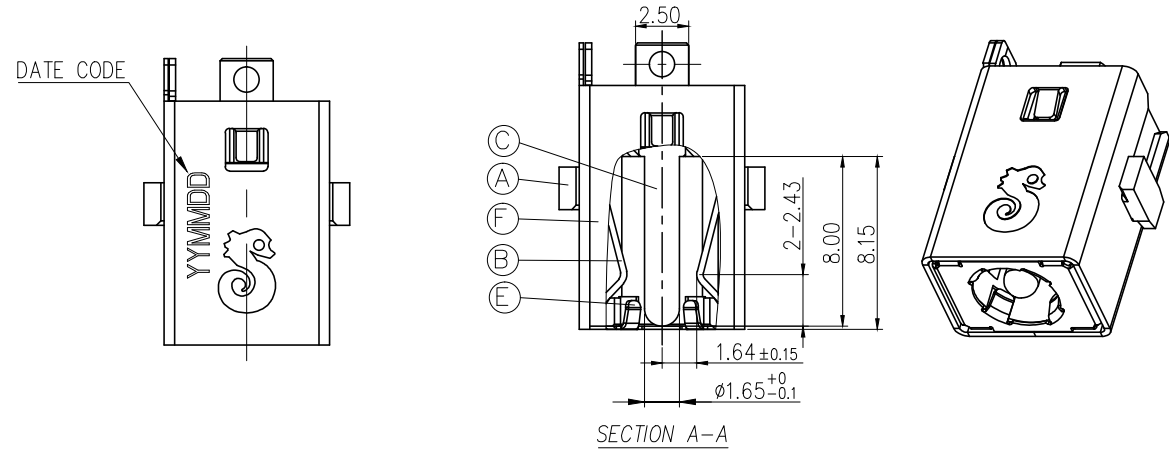
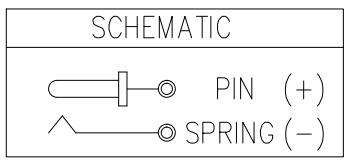
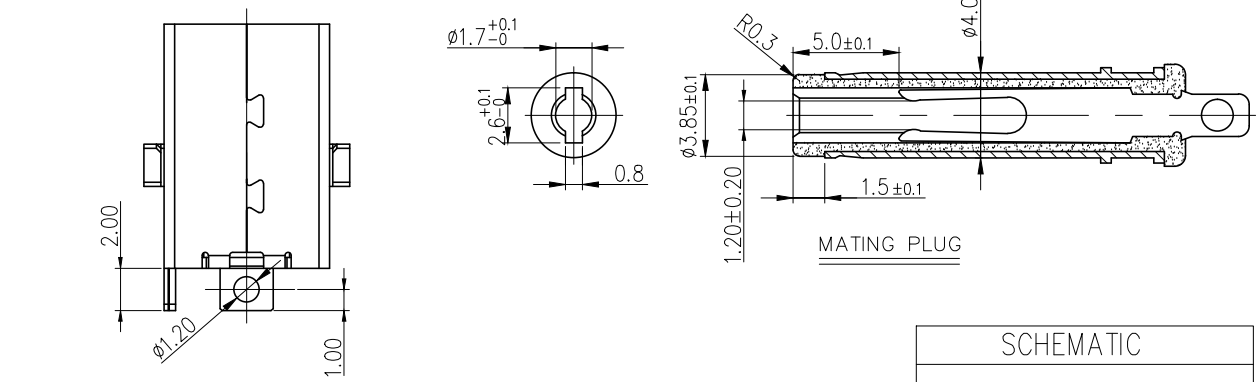
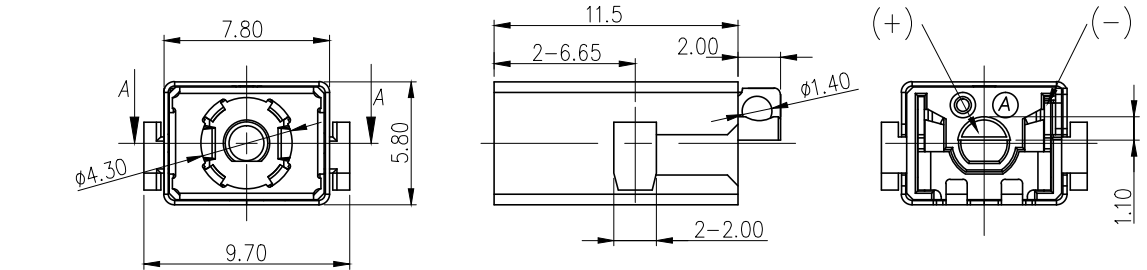


REV.	ECN NO OR DESCRIPTION	REVISED	DATE
A	PDR NO.T190626-2A	Jie	2020.3.10



- SPECIFICATIONS:
- ELECTRICAL CHARACTERISTICS:
    - RATING: 20V 5A
    - CONTACT RESISTANCE: 30mΩ MAX.(INITIAL)
    - DIELECTRIC WITHSTANDING VOLTAGE: 500V AC FOR ONE MINUTE.
    - INSULATION RESISTANCE: 100MΩ MIN. MEASURED BY 500 VDC
  - MECHANICAL CHARACTERISTICS:
    - INSERTION FORCE : 0.5~3.0 KGF
    - WITHDRAWAL FORCE : 0.4~2.0 KGF(INITIAL)  
0.3~2.0 KGF(AFTER LIFE TEST)
  - LIFE TEST: 5,000 CYCLES MIN.
  - OTHER GENERAL SPEC. TO REFER "2DC1015 SERIES SPEC".
  - TO CONFORM TO SINGATRON HAZARDOUS SUBSTANCE FREE SPEC.
  - HALOGEN FREE PRODUCT IDENTIFICATION MARK ON JACK:
  - HALOGEN FREE PRODUCT IDENTIFICATION LABEL ON PACKAGING:
  - FOR HAND SOLDERING LEAD-FREE PROCESS.
  - PRINTED DATE CODE "YYMMDD" ON TOP OF CONNECTOR.

DD: DAY  
MM: MONTH  
YY: YEAR



F	SHELL	1	SUS430	Ni 60u" MIN ALL OVER
E	GROUND	1	STAINLESS STEEL 0.15T	N/A
D	STOPPER	1	THERMOPLASTIC UL 94V-0	BLACK
C	PIN	1	BRASS	GOLD FLASH ALL OVER Ni 50u" MIN.
B	SPRING	1	COPPER ALLOY 0.30T	GOLD FLASH ON CONTACT AREA . Sn 120u" Min PLATED ON SOLDER TAIL; ALL OVER Ni 50u" MIN.
A	HOUSING	1	THERMOPLASTIC UL 94V-0	BLACK
NO	DESCRIPTION	QTY	MATERIAL	PLATING & COLOR

UNLESS OTHERWISE SPECIFIED TOLERANCES		Singatron Enterprise Co., Ltd. 信音企業股份有限公司	
DECIMALS:	ANGLES:	TITLE DC POWER JACK	
X : ±0.5	X : ±2°	DWN	Jie PART NO. 2DC1015-011111F
X.X : ±0.3	X.X : ±1°	CHKD	Ron SCALE 4:1 UNIT: mm
X.XX : ±0.2		APVD	Sky SIZE: A3 SHEET: 1 OF 1 REV: A
CUSTOMER COPY			