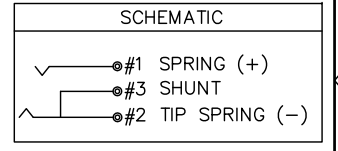
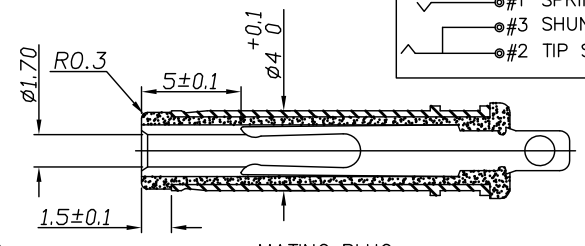
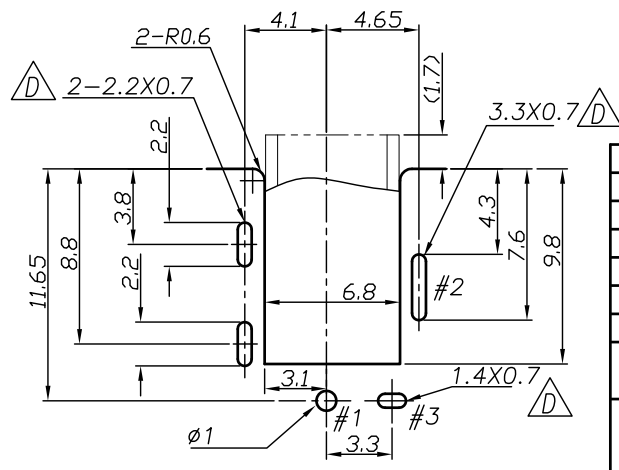
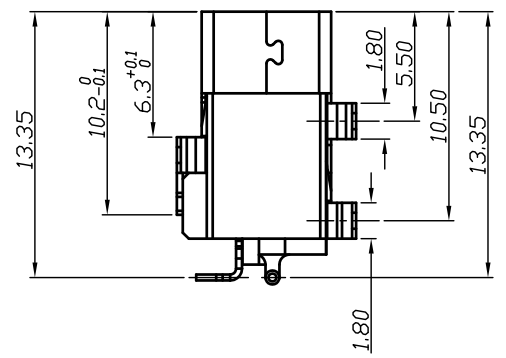
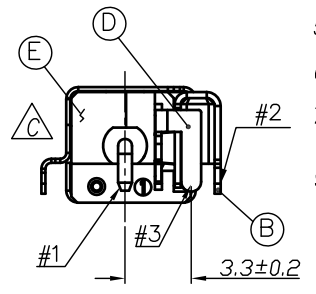
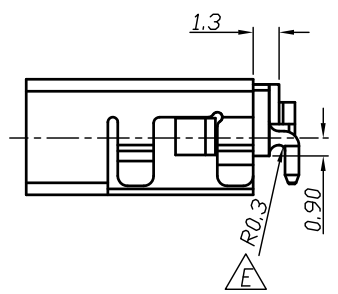
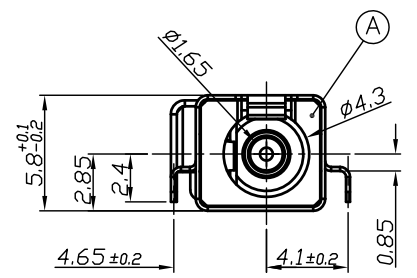
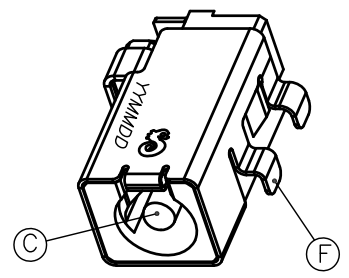
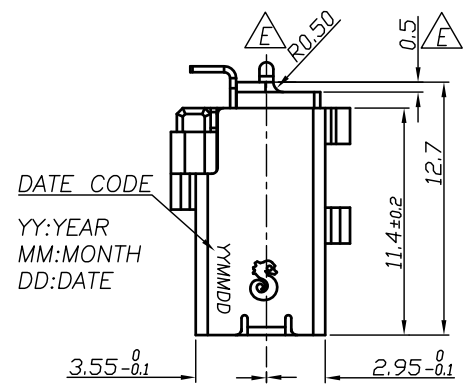


REV.	ECN NO OR DESCRIPTION	REVISED	DATE
C	ECN NO:C100556	PENG	2010.12.02
D	ECN NO:C100590MODIFY Layout	LONGJIANG	2010.12.09
E	ECN NO:C120292 MODIFY PIN	LONGJIANG	2012.09.27

SPECIFICATIONS:

- ELECTRICAL CHARACTERISTICS:
  - RATING: 12V 3A
  - CONTACT RESISTANCE: 30mΩ MAX.(INITIAL)
  - DIELECTRIC WITHSTANDING VOLTAGE: 500V AC FOR ONE MINUTE.
  - INSULATION RESISTANCE: 100MΩ MIN. MEASURED BY 500 VDC
- MECHANICAL CHARACTERISTICS:
  - INSERTION FORCE : 3.0 KGF Max.
  - WITHDRAWAL FORCE : 0.3KGF Min.
- LIFE TEST: 5,000 CYCLES MIN.
- OTHER GENERAL SPEC. TO REFER "2DC1016-000112 SPEC".
- TO CONFORM TO SINGATRON HAZARDOUS SUBSTANCE FREE SPEC.
- HALOGEN FREE PRODUCT IDENTIFICATION LABEL ON PACKAGING:
- HALOGEN FREE PRODUCT IDENTIFICATION MARK ON JACK:
- FOR WAVE SOLDERING LEAD-FREE PROCESS.
- PACKAGING: TAPE & REEL



NO	DESCRIPTION	QTY	MATERIAL	PLATING & COLOR
F	SHIELDING	1	COPPER ALLOY 0.2t	NICKEL PLATING
E	STOPPER	1	HIGH TEMP. THERMOPLASTIC UL 94V-0	BLACK COLOR
D	SHUNT TERMINAL	1	COPPER ALLOY 0.3t	GOLD FLASH
C	PIN	1	BRASS BAR	GOLD FLASH
B	SPRING(-)	1	COPPER ALLOY 0.3t	GOLD FLASH
A	HOUSING	1	HIGH TEMP. THERMOPLASTIC UL 94V-0	BLACK COLOR

UNLESS OTHERWISE SPECIFIED TOLERANCES		Singatron Enterprise Co., Ltd. 信音企業股份有限公司	
DECIMALS:	ANGLES:	TITLE DC POWER JACK	
X :±0.5	X :±2°	DWN	LONGJIANG 2012.09.27 PART NO.2DC1016-000112
X.X :±0.3	X.X :±1°	CHKD	ZZ 2012.09.27 SCALE 4:1 UNIT: mm
X.XX :±0.2		APVD	LMD 2012.09.27 SIZE: A3 SHEET:1 OF 1 REV: E
<b>CUSTOMER COPY</b>			

RECOMMENDED P.C.B LAYOUT  
TOP VIEW (Tolerance:±0.05) (PCB THICKNESS:1.2mm)