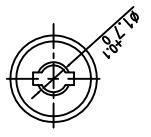
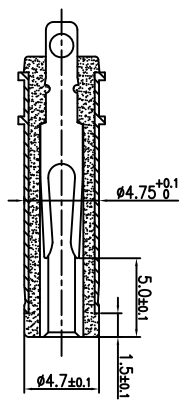
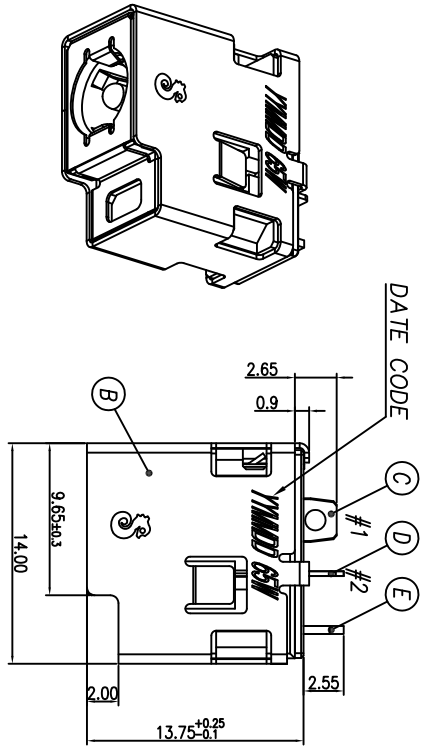
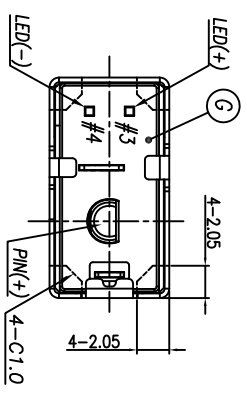
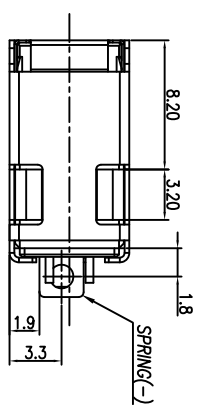
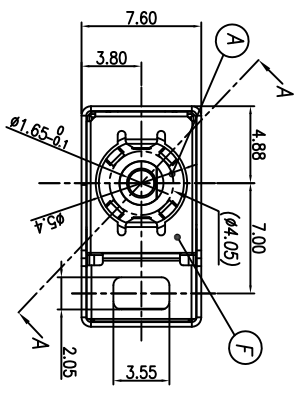
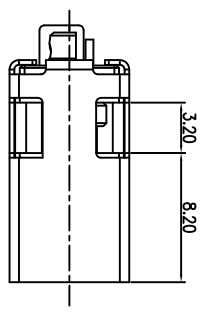


REV.	ECN NO.	OR DESCRIPTION	REVISED	DATE
A	PDR	NO:1111102-6A	Smile	2012.03.05

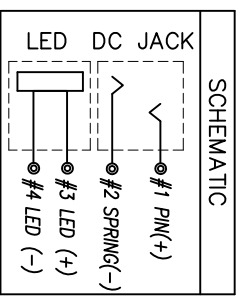


- SPECIFICATIONS:**
- ELECTRICAL CHARACTERISTICS:
    - RATING: 20V 8A
    - CONTACT RESISTANCE: 30mΩ MAX.(INITIAL)
    - DIELECTRIC WITHSTANDING VOLTAGE: 500V AC FOR ONE MINUTE.
    - INSULATION RESISTANCE: 100MΩ MIN. MEASURED BY 500 VDC
  - MECHANICAL CHARACTERISTICS:
    - INSERTION FORCE : 2.5 KGF Max.
    - WITHDRAWAL FORCE : 0.6 KGF Min.
    - LIFE TEST: 5,000 CYCLES MIN.
    - TO CONFORM TO SINGARTRON HAZARDOUS SUBSTANCE FREE SPEC.
    - GREEN PRODUCT IDENTIFICATION LABEL ON PACKAGING: ♻️
    - HALOGEN FREE PRODUCT IDENTIFICATION MARK ON JACK: Ⓢ
    - FOR HAND SOLDERING LEAD-FREE PROCESS.
    - PACKAGING: BAG
    - PRINTED DATE CODE: **YMMDD**.
      - DD: DAY
      - MM: MONTH
      - YY: YEAR

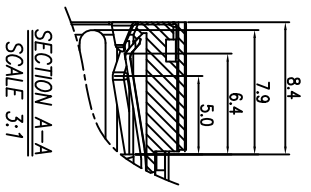


**LED Soldering Condition:**

Peak temperature	350 °C Max.	Dwell time	3 sec Max.
Soldering Iron			(one time only)



PIN 3	AMBER	PIN 4	AMBER
LED TYPE	AMBER	LED TYPE	AMBER
LED COLOR	WHITE	LED COLOR	WHITE
NODE	LED	NODE	LED
PIN3(+)	PIN4(-)	PIN3(+)	PIN4(+)
PIN3(-)	PIN4(+)	PIN3(-)	WHITE



G	BACK PLATE	1	THERMOPLASTIC UL94V-0	BLACK
F	GROUND	1	STAINLESS STEEL	N/A
E	LED	1	AlInGaP&InGaN	Lamps AMBER&WHITE
D	SPRING(-)	1	COPPER ALLOY	OVER ALL IN 50u" Min. CONTACT AREA Pd/IN 25u" Min. SOLDER AREA Sn 120 u" Min.
C	PIN	1	COPPER ALLOY	Au50u" Min Over Ni50u" Min
B	SHELL	1	SPCC 0.30T	Ni60u" Min Over Cu80u" Min
A	HOUSING	1	THERMOPLASTIC UL94V-0	BLACK
NO	DESCRIPTION	QTY	MATERIAL	PLATING & COLOR
UNLESS OTHERWISE SPECIFIED TOLERANCES				
Singatron Enterprise Co., Ltd. 信音企業股份有限公司				
DECIMALS:		ANGLES:		
X	:±0.5	X	:±2°	
X.X	:±0.3	X.X	:±1°	
X.XX	:±0.2			
TITLE		DC POWER JACK_65W		
DWN	Smile	PART NO.	2DC1017-065411F	
CHKD	Sky	SCALE	3:1	
APVD	Lussen	SIZE	A3	
		SHEET	1 OF 1	
		REV	A	
<b>CUSTOMER COPY</b>				

