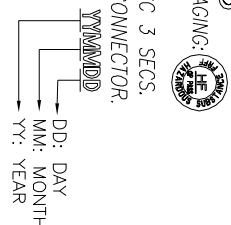
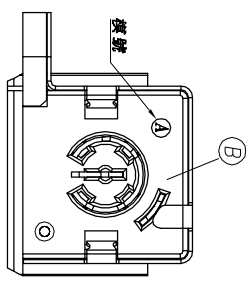
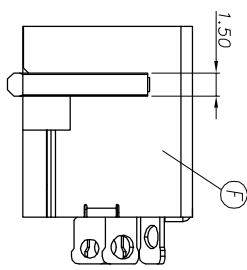
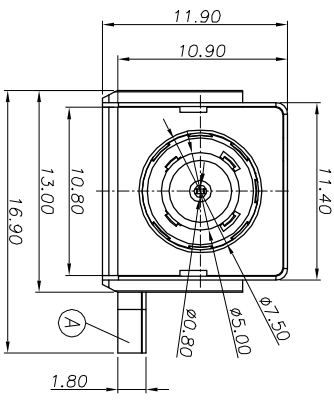
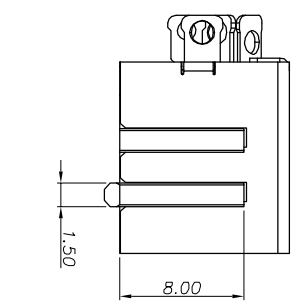
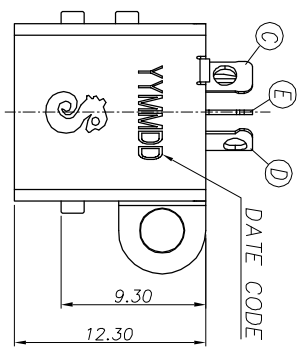
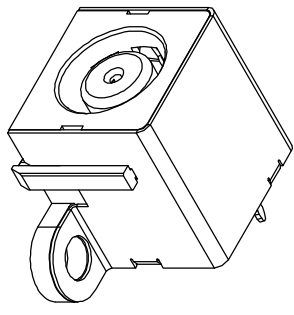
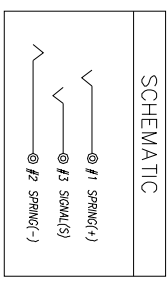
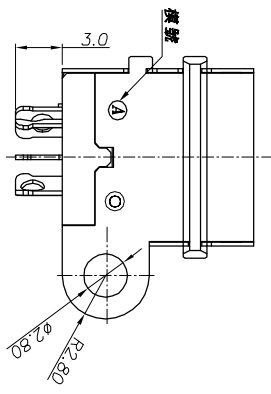
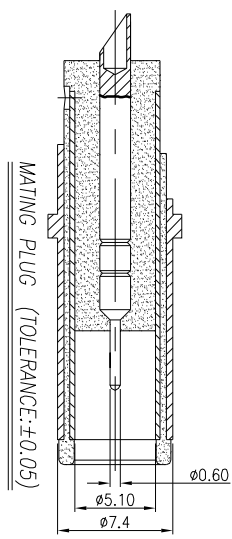


REV	ECN NO OR DESCRIPTION	REVISED	DATE
A	Product Release	VICTOR	2009.05.08
B	ECN NO.:S202110-E02	Xuehua	2021.12.9



- SPECIFICATIONS:
1. ELECTRICAL CHARACTERISTICS:
- 1-1. RATING VOLTAGE: 20V 10A
 - 1-2. CONTACT RESISTANCE: 30mΩ MAX (INITIAL)
 - 1-3. DIELECTRIC WITHSTANDING VOLTAGE: 150V AC FOR ONE MINUTE
 - 1-4. INSULATION RESISTANCE: 100MΩ MIN AT 100V DC AFTER ONE MINUTE
2. MECHANICAL CHARACTERISTICS:
- 2-1. INSERTION FORCE : 3.0 kgf MAX
 - 2-2. WITHDRAWAL FORCE : 0.35 kgf MIN
 - 3. LIFE TEST: 5,000 CYCLES MIN.
 - 4. TO CONFORM TO SINGATRON HAZARDOUS SUBSTANCE FREE SPEC.
 - 5. HALOGEN PRODUCT IDENTIFICATION MARK IN JACK: ©
 - 6. HALOGEN PRODUCT IDENTIFICATION LABEL ON PACKAGING: ©
 - 7. FOR HAND SOLDERING LEAD-FREE PROCESS.
 - 8. SOLDER HEAT RESISTANCE: HAND-SOLDERING 350°C 3 SECS.
 - 9. PRINTED DATE CODE "YMMDD" ON TOP OF CONNECTOR.



NO	DESCRIPTION	QTY	MATERIAL	PLATING & COLOR
F	SHELL	1	SPCC 0.25t	TIN (40u"Min.) PLATING
E	SIGNAL (S)	1	COPPER ALLOY 0.3t	GOLD FLASH (~3u") PLATING
D	SPRING (+)	1	COPPER ALLOY 0.3t	GOLD FLASH ON CONTACT AREA Motte Sn 120u" ON SOLDER TIN ALL OVER IN 50 u"
C	SPRING (-)	1	COPPER ALLOY 0.3t	GOLD FLASH (~3u") PLATING
B	COVER	1	HIGH TEMP. THERMOPLASTIC III 94V-0	BLACK COLOR
A	HOUSING	1	HIGH TEMP. THERMOPLASTIC III 94V-0	BLACK COLOR

UNLESS OTHERWISE SPECIFIED TOLERANCES

Singatron Enterprise Co., Ltd.
信登企業股份有限公司

TITLE: DC POWER JACK

DWN	Xuehua	PART NO.	2DC1020-000111
CHKD	Lussen	SCALE: 4:1	UNIT: mm
APVD	Liao	SIZE: A3	SHEET: 1 OF 1 REV: B

CUSTOMER COPY