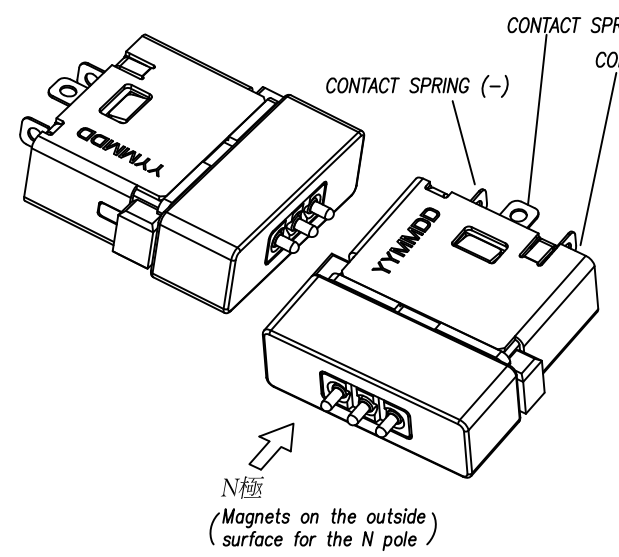
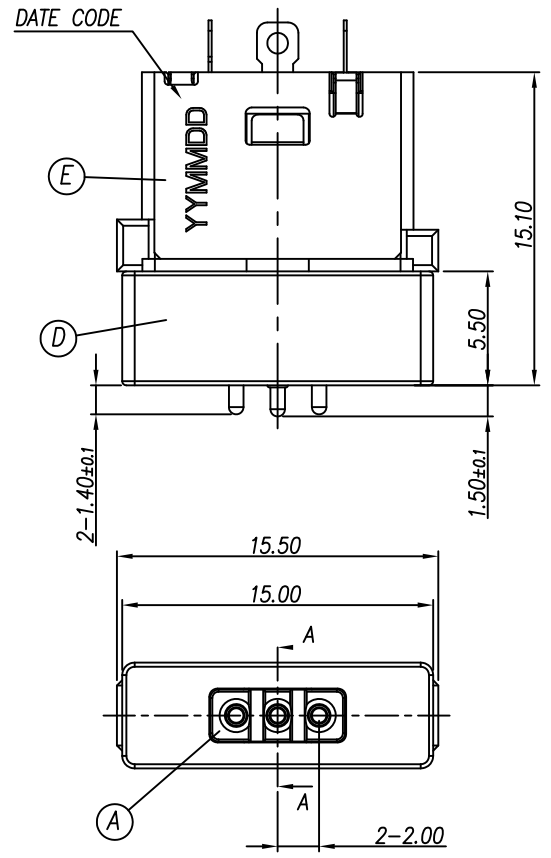
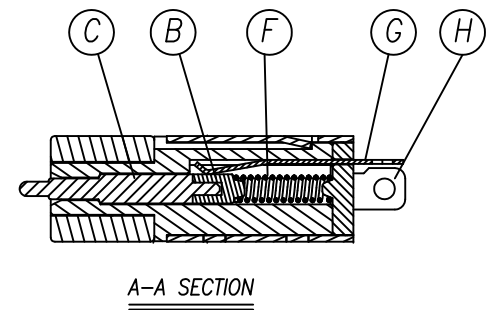
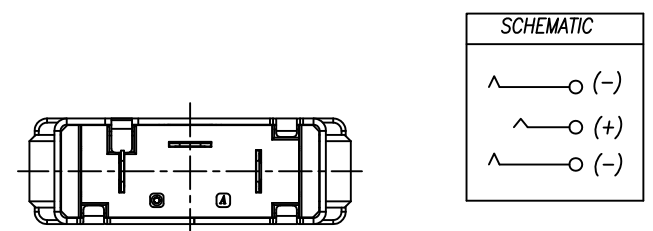
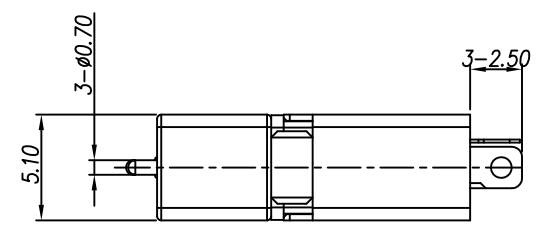


REV.	ECN NO OR DESCRIPTION	REVISED	DATE
A	PDR RELEASE	BERYL	2015.04.23



- SPECIFICATIONS:
- ELECTRICAL CHARACTERISTICS:
 - RATING: 19V 3A
 - CONTACT RESISTANCE: 30mΩ MAX.(INITIAL)
 - DIELECTRIC WITHSTANDING VOLTAGE: 500V AC FOR ONE MINUTE.
 - INSULATION RESISTANCE: 100MΩ MIN. MEASURED BY 500 VDC
 - MECHANICAL CHARACTERISTICS:

UNMATING FORCE : 1.2 KGF MIN. (PERPENDICULAR TO THE MATING SURFACE)
 - LIFE TEST: 10,000 CYCLES MIN.
 - TO CONFORM TO SINGATRON HAZARDOUS SUBSTANCE FREE SPEC.
 - HALOGEN FREE PRODUCT IDENTIFICATION LABEL ON PACKAGING:



NO	DESCRIPTION	QTY	MATERIAL	PLATING & COLOR
H	CONTACT SPRING-2	2	PHOSPHOR BRONZE 0.15t	GOLD FLASH
G	CONTACT SPRING-1	1	PHOSPHOR BRONZE 0.15t	GOLD FLASH
F	COIL SPRING	3	STAINLESS STEEL	N/A
E	SHIELDING	1	STAINLESS STEEL	N/A
D	MAGNET	1	Nd-Fe-B N48H	NICKEL PLATING
C	PIN	3	BRASS	GOLD FLASH
B	INSULATOR	3	HIGHT TEMP.THERMOPLASTIC UL 94V-0	WHITE COLOR
A	HOUSING	1	HIGHT TEMP.THERMOPLASTIC UL 94V-0	BLACK COLOR

UNLESS OTHERWISE SPECIFIED TOLERANCES

DECIMALS: X :±0.5 X.X :±0.3 X.XX :±0.2

ANGLES: X :±2° X.X :±1° X.XX :±1°

Singatron Enterprise Co., Ltd.
信音企業股份有限公司

TITLE: DC POWER JACK 3 PIN(MAGNET)

DWN: BERYL 2015.04.23 PART NO.2DC1029-00001F

CHKD: SCALE 4:1 UNIT: mm

APVD: ACHENG SIZE: A3 SHEET:1 OF 1 REV: A

CUSTOMER COPY