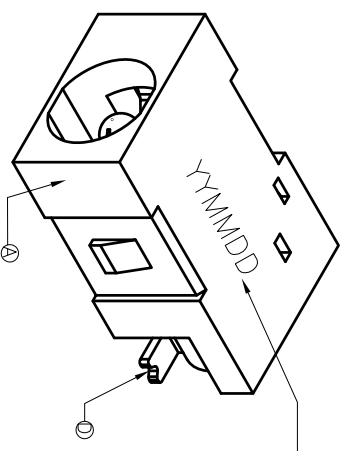
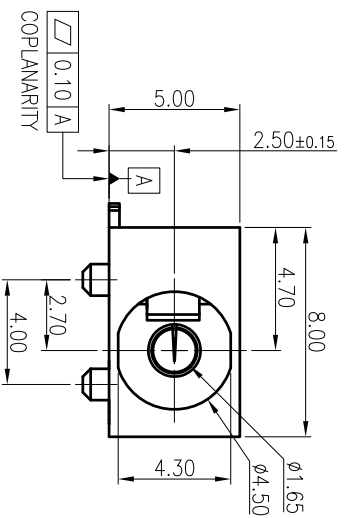
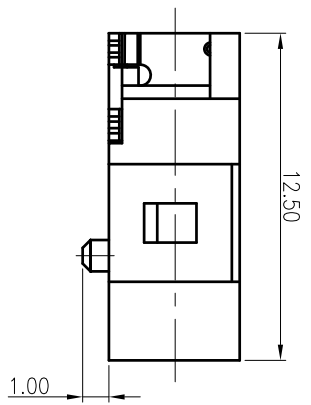
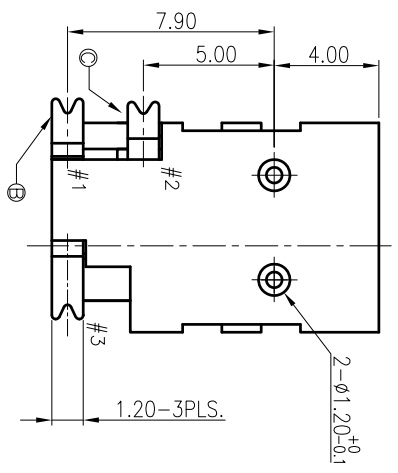
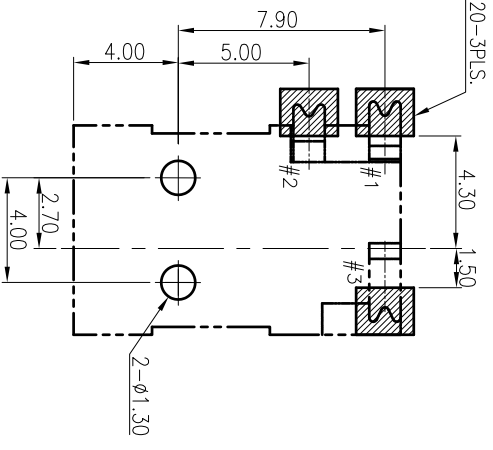


| REV. | ECN NO.         | OR. DESCRIPTION | REVISED | DATE       |
|------|-----------------|-----------------|---------|------------|
| B    | ECN NO.1070302  |                 | LULU    | 2007.10.09 |
| C    | ECN NO.L1000033 |                 | NY-C    | 2010.08.11 |
| E    | ECN NO.S120201  |                 | ANDY    | 2012.02.24 |



DATE CODE:BLACK.  
YY:YEAR  
MM:MONTH(01~12)  
DD:DAY(01~31)



- 2DC1503-000111
- PACKAGE
  - 1: TAPE&REEL
  - HOUSING COLOR
  - 1: BLACK
  - CONTACT PLATING
  - 1: SILVER PLATING

SPECIFICATIONS:

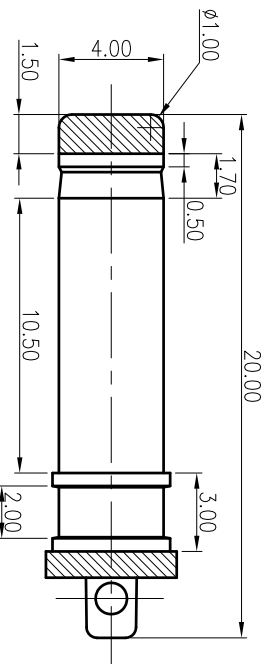
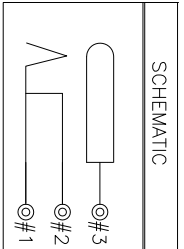
1. SEE 2DC1503 SERIES SPECIFICATIONS.
2. TO CONFORM TO SINGATRON HAZARDOUS SUBSTANCE FREE SPEC.
3. HALOGEN FREE PRODUCT IDENTIFICATION LABEL ON PACKAGING.
4. SOLDER HEAT RESISTANCE: 260°C 10 SECS.



RECOMMENDED PADS LAYOUT

<TOP VIEW>

NOTE : TOLERANCE FOR PCB LAYOUT IS ± 0.05



Singatron Enterprise Co., Ltd.  
信管企業股份有限公司

| D  | PIN#EARTH     | 1   | BRASS                     | SILVER PLATING  |
|----|---------------|-----|---------------------------|-----------------|
| C  | CONTACT#SHUNT | 1   | BRASS                     | SILVER PLATING  |
| B  | CONTACT#TIP   | 1   | Ti-Cu                     | SILVER PLATING  |
| A  | HOUSING       | 1   | HIGH TEMPERATURE UL 94V-0 | BLACK COLOR     |
| NO | DESCRIPTION   | QTY | MATERIAL                  | PLATING & COLOR |

UNLESS OTHERWISE SPECIFIED TOLERANCES

| DECIMALS:   | ANGLES:   |
|-------------|-----------|
| X : ±0.5    | X : ±2°   |
| X.X : ±0.3  | X.X : ±1' |
| X.XX : ±0.2 |           |

| TITLE | DC POWER JACK ø1.65 |
|-------|---------------------|
| DWN   | ANDY                |
| CHKD  | TOM                 |
| APVD  | TONY                |

PART NO.2DC1503-000111  
SCALE:1/1 UNIT: mm  
SIZE: A3 SHEET: 1 OF 1 REV: E

CUSTOMER COPY