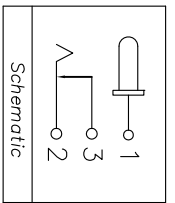
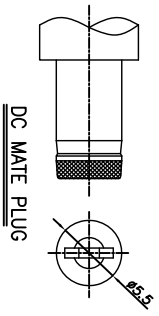
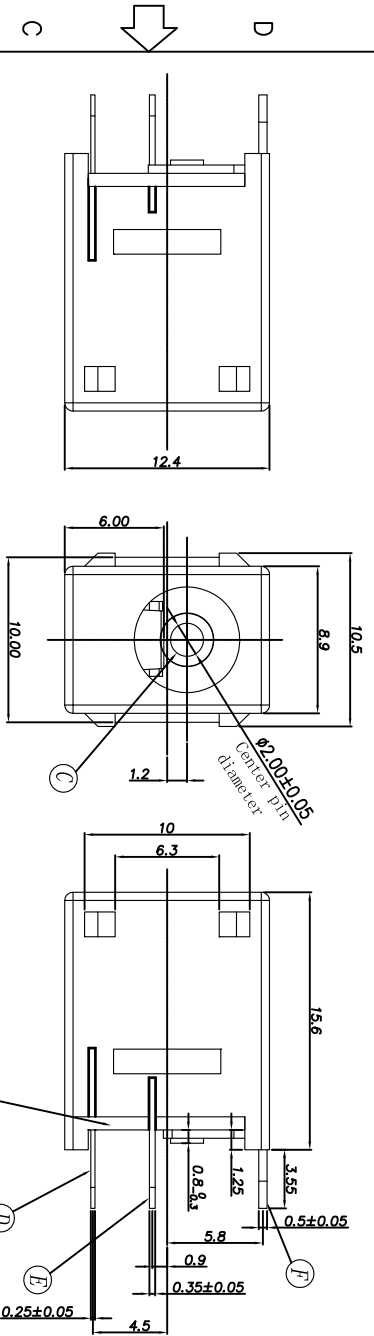
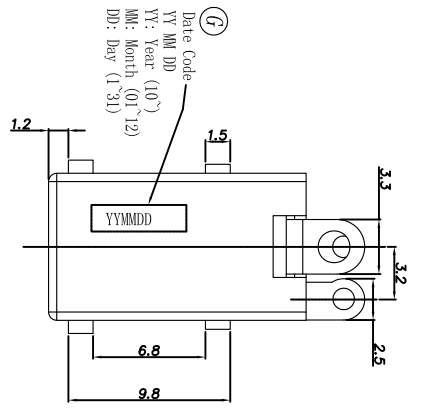
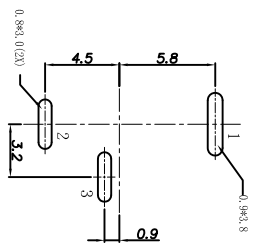


REV.	ECN NO OR DESCRIPTION	REVISED	DATE
A	PDR RELEASE	NY-C	2010.10.04
B	ECN NO: L110011	NY-C	2011.03.14
C	ECN NO: L120028	NY-C	2012.04.05

**SPECIFICATIONS:**

1. RATING: DC 13.5V, 2.5A.
2. CONTACT RESISTANCE: 30 m<sup>2</sup> MAX.
3. INSULATION RESISTANCE: 100M Ohms MIN. @ 500V DC
4. WITHSTANDING VOLTAGE: 500V AC 1 MINUTE.
5. INSERTION FORCE: 3N ~ 30N.
6. EXTRACTION FORCE: 3N ~ 30N.
7. LIFE TEST: 5000 CYCLES.
8. OTHER GENERAL SPEC. TO REFER "DC POWER JACK SPEC"
9. TO CONFORM TO THE SINGATRON HAZARDOUS SUBSTANCE FREE SPEC.
10. GREEN PRODUCT IDENTIFICATION LABEL ON PACKAGING: **[G.P. PASS]**
11. PACKAGE: SEE "ZDC1516 SERIES" PACKAGE.
12. FOR WAVE SOLDERING LEAD-FREE PROCESS.

RECOMMENDED P.C.B. LAYOUT  
UNSPECIFIED TOLERANCE: ±0.05  
(TOP VIEW)



**PART NO.**  
**ZDC1516-000111**  
**CENTER PIN DIA. 0: DIA 2.0**

**PACKAGE 1: BAG**  
**HOUSING COLOR 1: BLACK**

**CONTACT PLATING**  
**1: CENTER PIN NICKEL PLATED,**  
**TERMINAL TIN PLATED.**

NO	DESCRIPTION	QTY	MATERIAL	PLATING & COLOR
A	HOUSING	1	PA9T, UL 94V-0	BLACK
B	COVER	1	PA9T, UL 94V-0	BLACK
C	CENTER PIN	1	BRASS	NICKEL
D	TERMINAL #2	1	PHOSPHOR BRONZE	TIN
E	TERMINAL #3	1	BRASS	TIN
F	TERMINAL #1	1	BRASS	TIN
G	INK			BLACK

UNLESS OTHERWISE SPECIFIED TOLERANCES

DECIMALS:	ANGLES:
X : ±0.5	X : ±2°
X.X : ±0.3	X.X : ±1'
X.XX : ±0.2	

Singatron Enterprise Co., Ltd.  
信音企業股份有限公司

TITLE	DC POWER JACK, VERTICAL, DIP TYPE
DWN	NY-C 2012/04/05 PART NO. ZDC1516-000111
CHKD	000-1 2012/04/05 SCALE: N/A UNIT: mm
APVD	000-1 2012/04/05 SIZE: A3 SHEET: 1 OF 1 REV: C

CUSTOMER COPY