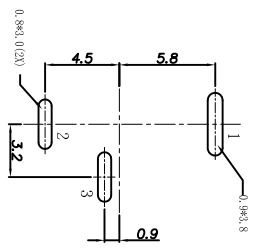
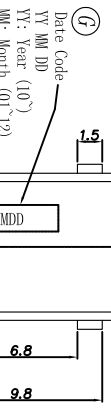
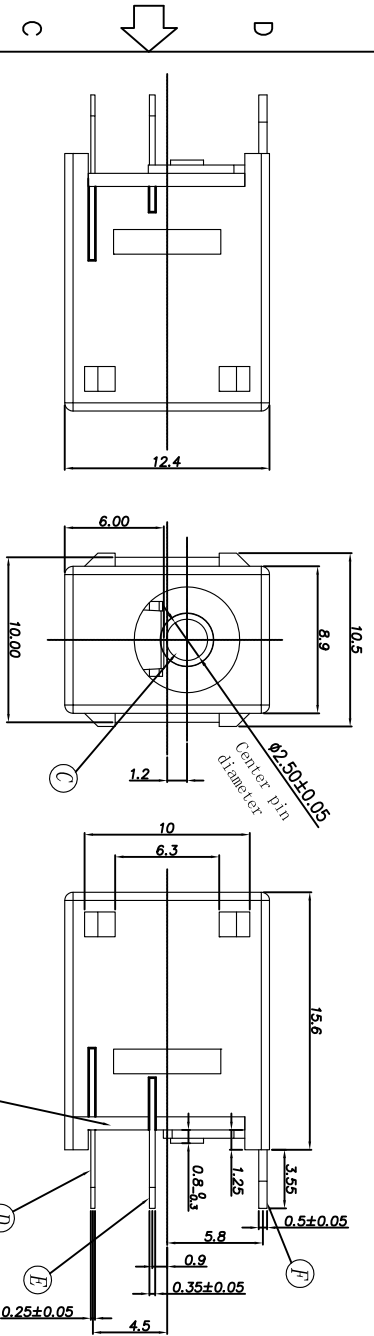


REV.	ECN NO OR DESCRIPTION	REVISED	DATE
A	PDR RELEASE	NY-C	2012.04.05



RECOMMENDED P.C.B. LAYOUT
UNSPECIFIED TOLERANCE: ±0.05
(TOP VIEW)

- SPECIFICATIONS:
1. RATING: DC 13.5V, 2.5A.
 2. CONTACT RESISTANCE: 30 mΩ MAX.
 3. INSULATION RESISTANCE: 100M Ohms MIN. @ 500V DC
 4. WITHSTANDING VOLTAGE: 500V AC 1 MINUTE.
 5. INSERTION FORCE: 3N ~ 30N.
 6. EXTRACTION FORCE: 3N ~ 30N.
 7. LIFE TEST: 5000 CYCLES.
 8. OTHER GENERAL SPEC. TO REFER "DC POWER JACK SPEC"
 9. TO CONFORM TO THE SINGATRON HAZARDOUS SUBSTANCE FREE SPEC.
 10. GREEN PRODUCT IDENTIFICATION LABEL ON PACKAGING: **GP-PASS**
 11. PACKAGE: SEE "ZDC1516 SERIES" PACKAGE.
 12. FOR WAVE SOLDERING LEAD-FREE PROCESS.



PART NO.
ZDC1516-100111H

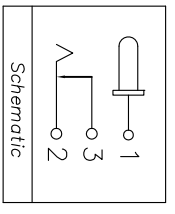
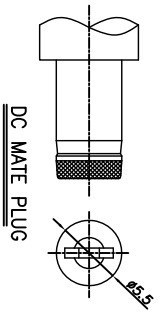
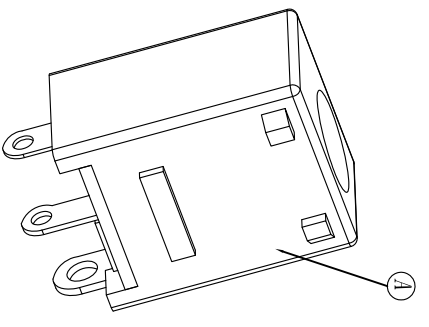
CENTER PIN DIA.
1: DIA 2.50

SUFFIX: HALOGEN

PACKAGE
1: BAG

HOUSING COLOR
1: BLACK

CONTACT PLATING
1: CENTER PIN NICKEL PLATED,
TERMINAL TIN PLATED.



G	INK		BLACK
F	TERMINAL #1	1	BRASS
E	TERMINAL #3	1	BRASS
D	TERMINAL #2	1	PHOSPHOR BRONZE
C	CENTER PIN	1	BRASS
B	COVER	1	PA9T, UL 94V-0
A	HOUSING	1	PA9T, UL 94V-0
NO	DESCRIPTION	QTY	MATERIAL
UNLESS OTHERWISE SPECIFIED TOLERANCES			
Singatron Enterprise Co., Ltd. 信音企業股份有限公司			
DECIMALS: ANGLES:			
X	±0.5	X	±2°
X.X	±0.3	X.X	±1'
X.XX	±0.2		
TITLE DC POWER JACK, VERTICAL, DIP TYPE			
DWN NY-C 2012.04.05 PART NO. ZDC1516-100111H			
CHKD NY-C 2012.04.05 SCALE: N/A UNIT: mm			
APVD NY-C 2012.04.05 SIZE: A3 SHEET: 1 OF 1 REV: A			
CUSTOMER COPY			