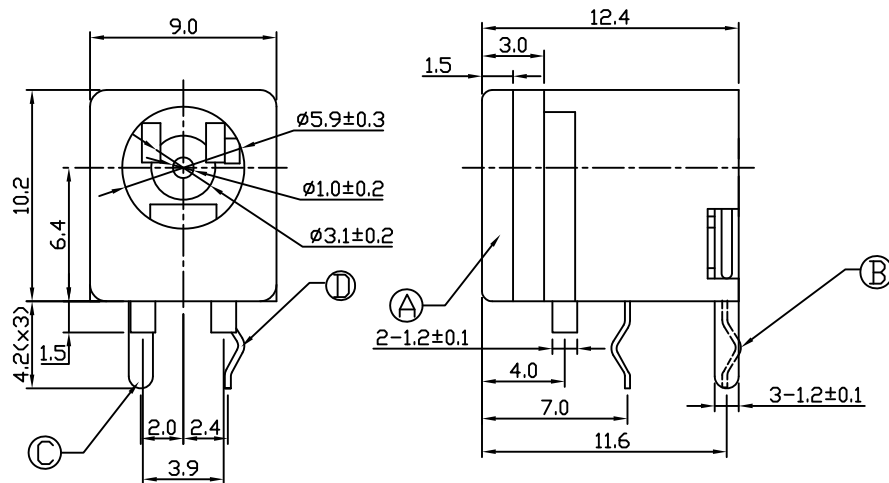
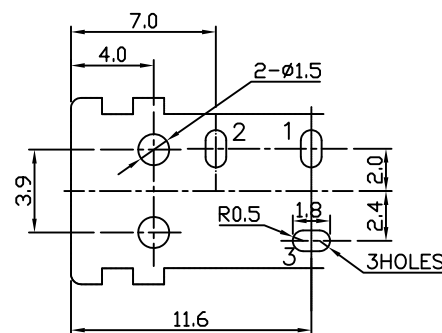
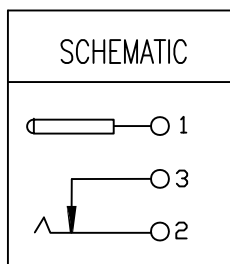


REV.	ECN NO OR DESCRIPTION	REVISED	DATE
A	PDR RELEASE	IVY-C	2012.01.09
B	ECN NO:L130022	Even	2013.04.17



SPECIFICATIONS:

1. RATING: DC 13.5V, 2A.
2. CONTACT RESISTANCE: 30 mΩ MAX.
3. INSULATION RESISTANCE: 100M Ohms MIN. @ 500V DC.
4. WITHSTANDING VOLTAGE: 500V AC 1 MINUTE.
5. INSERTION FORCE: 0.3Kgf TO 3.0 Kgf
6. EXTRACTION FORCE: 0.3Kgf TO 3.0 Kgf
7. LIFE TEST: 5000 CYCLES.
8. TO CONFORM TO THE SINGATRON HAZARDOUS SUBSTANCE FREE SPEC.
9. GREEN PRODUCT IDENTIFICATION LABEL ON PACKAGING: **RoHS**
10. OTHER GENERAL SPEC. TO REFER "DC POWER JACK SPEC"
11. PACKAGE: SEE "2DC1523 SERIES" PACKAGE.
12. FOR WAVE SOLDERING LEAD-FREE PROCESS.
13. THE DC JACK HAS REFER TO EIAJ RC-5320A STANDARD TO DESIGN.

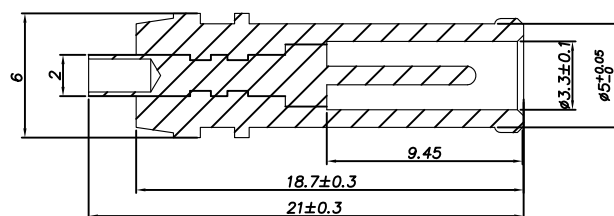


T:1.6 Dimensions of PC board holes
Tolerance : ±0.1(Printed-top view)

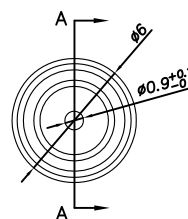
PART NO.

2DC1523-000111H

- SUFFIX: HALOGEN
- PACKAGE
1: PE BAG
- HOUSING COLOR
1: BLACK
- CONTACT PLATING
1: CENTER PIN Ag PLATED,
TERMINAL Ag PLATED.



Plug



NO	DESCRIPTION	QTY	MATERIAL	PLATING & COLOR
D	SHUNT TERMINL	1	COPPER ALLOY	Ag PLATING
C	TIP SPRING	1	COPPER ALLOY	Ag PLATING
B	CENTER PIN	1	COPPER ALLOY	Ag PLATING
A	HOUSING	1	THERMOPLASTIC UL94-V0	BLACK
UNLESS OTHERWISE SPECIFIED TOLERANCES				
DECIMALS: ANGLES:				
X	:±0.5	X	:±2'	
X.X	:±0.3	X.X	:±1'	
X.XX	:±0.2			
TITLE			DC POWER JACK, R/A, DIP TYPE	
DWN	Even 2013.04.17	PART NO. 2DC1523-000111H		
CHKD		SCALE 4:1	UNIT: mm	
APVD	ANCELA 2013.04.17	SIZE: A3	SHEET: 1 OF 1	REV: B

CUSTOMER COPY