

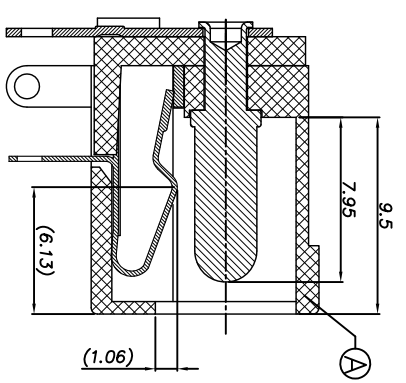
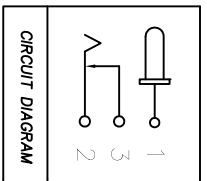
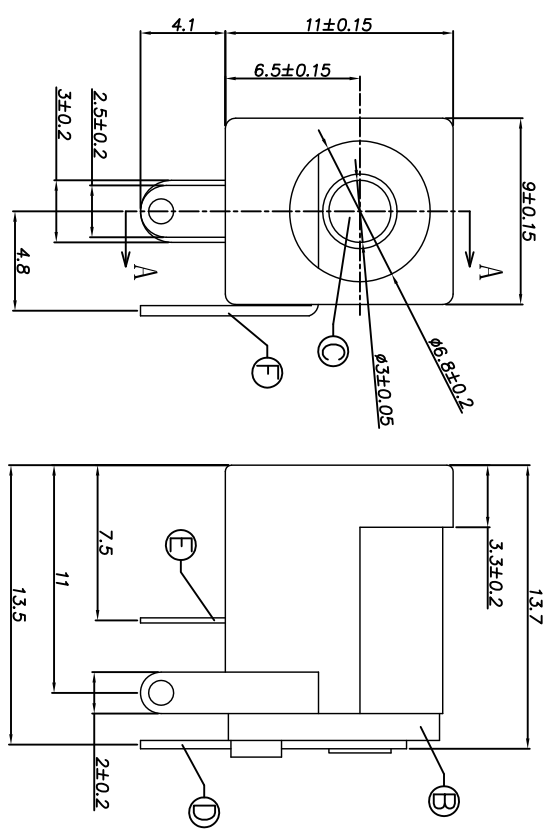
REV.	ECN NO.	OR DESCRIPTION	REVISED	DATE
A		PDR RELEASE	Even	2013.05.30

- SPECIFICATIONS:
1. RATING: DC 20V, 4A.
 2. CONTACT RESISTANCE: 30 mΩ MAX.
 3. INSULATION RESISTANCE: 100M Ohms MIN.
 4. WITHSTANDING VOLTAGE: 500V AC 1 MINUTE.
 5. INSERTION FORCE: 0.3Kgf TO 3.0 Kgf
 6. EXTRACTION FORCE: 0.3Kgf TO 3.0 Kgf
 7. LIFE TEST: 5000 CYCLES.
 8. TO CONFORM TO THE SINGATRON HAZARDOUS SUBSTANCE FREE SPEC.
 9. GREEN PRODUCT IDENTIFICATION LABEL ON PACKAGING: **G.P.PASS**
 10. OTHER GENERAL SPEC. TO REFER " 2DC1532 SERIES SPEC"
 11. PACKAGE: SEE "2DC1532 SERIES" PACKAGE.
 12. FOR WAVE SOLDERING LEAD-FREE PROCESS.

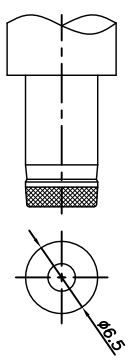
PART NO.

2DC1532-000111H

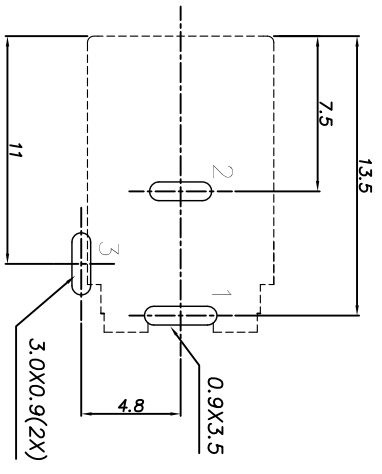
- SUFFIX: HALOGEN
- PACKAGE
- 1: PE BAG
- HOUSING COLOR
- 1: BLACK
- CONTACT PLATING
- 1: Tin PLATING



SECTION A-A



DC MATE PLUG



RECOMMENDED P.C.B. LAYOUT
(TOP VIEW)
UNSPECIFIED TOLERANCE: ±0.05

NO	DESCRIPTION	QTY	MATERIAL	PLATING & COLOR
F	SHUNT TERMINAL	1	COPPER ALLOY	TIN PLATING
E	TIP SPRING	1	COPPER ALLOY	TIN PLATING
D	CENTER PIN TERMINAL	1	COPPER ALLOY	TIN PLATING
C	CENTER PIN	1	COPPER ALLOY	Cust/NICKEL PLATING
B	COVER	1	ENGINEERING THERMO-PLASTIC UL 94V-0	BLACK
A	HOUSING	1	ENGINEERING THERMO-PLASTIC UL 94V-0	BLACK

UNLESS OTHERWISE SPECIFIED TOLERANCES

DECIMALS: ANGLES:

X :±0.5 X :±2°

X.X :±0.3 X.X :±1°

X.XX :±0.2

Singatron Enterprise Co., Ltd.
信音企業股份有限公司

TITLE: 03.0mm DC POWER JACK R/A DIP TYPE

DRAWN: [Signature] PART NO. 2DC1532-000111H

CHECKED: [Signature] SCALE 4:1 UNIT: mm

APVD: [Signature] SIZE: A3 SHEET: 1 OF 1 REV: A

CUSTOMER COPY