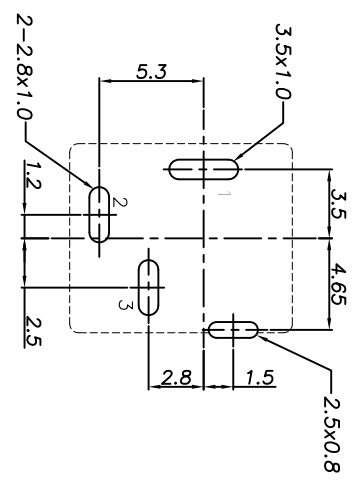
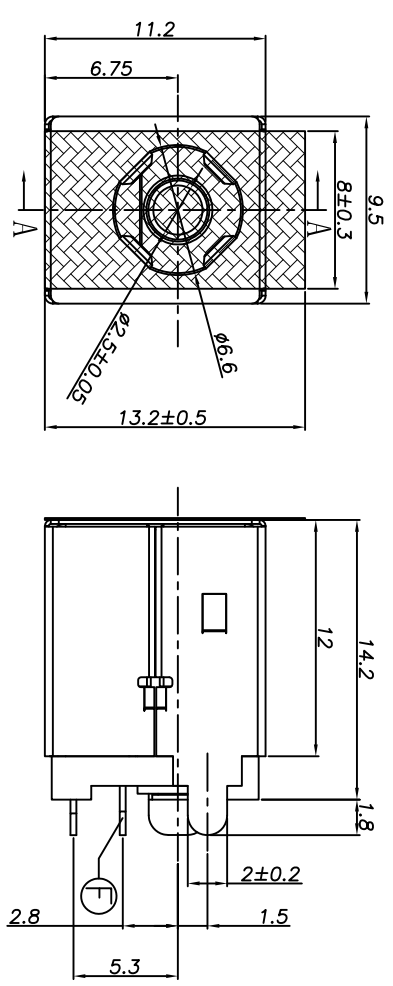


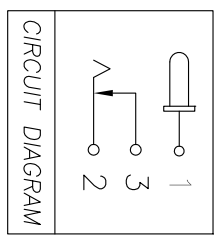
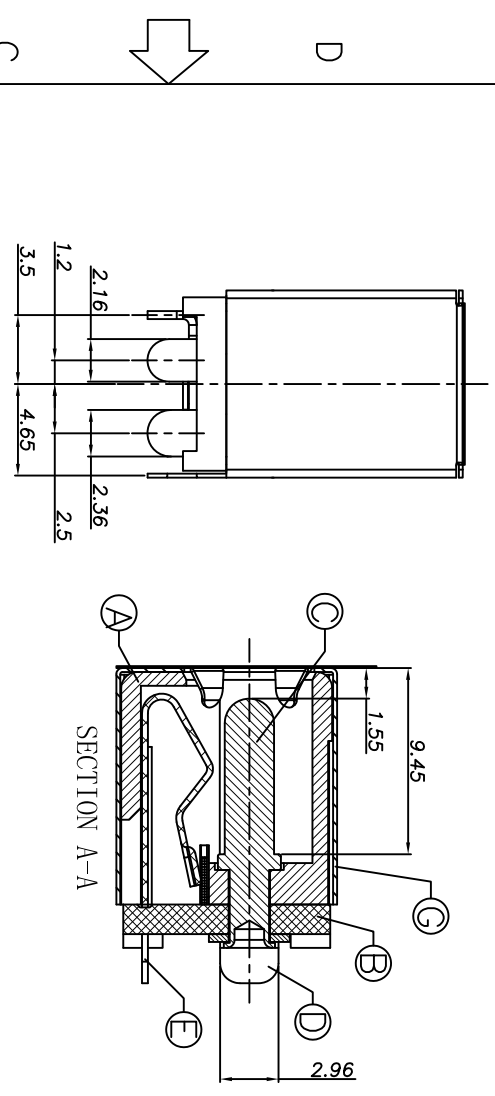
REV: A	ECN NO OR DESCRIPTION	REVISED	DATE
A	PDR RELEASE	Even	2013.05.07

SPECIFICATIONS:

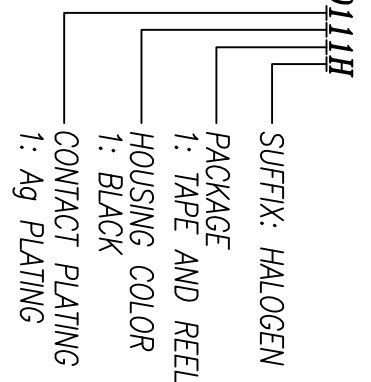
1. RATING: DC 20V, 7A.
2. CONTACT RESISTANCE: 30 mΩ MAX.
3. INSULATION RESISTANCE: 100M Ohms MIN.
4. WITHSTANDING VOLTAGE: 500V AC 1 MINUTE.
5. INSERTION FORCE: 0.3kgf TO 3.0 kgf
6. EXTRACTION FORCE: 0.3kgf TO 3.0 kgf
7. LIFE TEST: 5000 CYCLES.
8. TO CONFORM TO THE SINGATRON HAZARDOUS SUBSTANCE FREE SPEC.
9. GREEN PRODUCT IDENTIFICATION LABEL ON PACKAGING: **G.P. PASS**
10. OTHER GENERAL SPEC. TO REFER "DC POWER JACK SPEC"
11. PACKAGE: SEE "2DC1534 SERIES" PACKAGE.
12. FOR WAVE SOLDERING LEAD-FREE PROCESS.



RECOMMENDED P.C.B. LAYOUT
UNSPECIFIED TOLERANCE: ±0.05
(TOP VIEW)

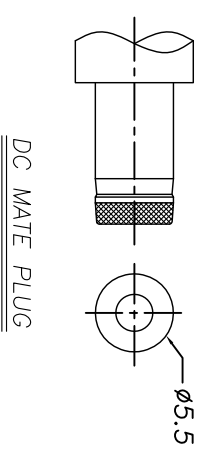
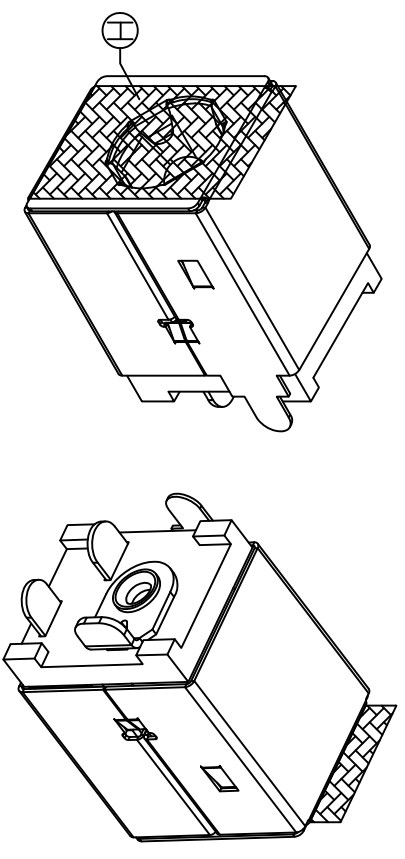


□ : TERMINAL NO.



PART NO.

2DC1534-000111H



DC MATE PLUG

NO	DESCRIPTION	QTY	MATERIAL	PLATING & COLOR
H	MYLAR	1	KAPTON FILM	YELLOW
G	SHELL	1	STAINLESS STEEL	NICKEL PLATING
F	SHUNT TERMINAL	1	COPPER ALLOY	Ag PLATING
E	TIP SPRING	1	COPPER ALLOY	Ag PLATING
D	CENTER PIN TERMINAL	1	COPPER ALLOY	Ag PLATING
C	CENTER PIN	1	COPPER ALLOY	NICKEL PLATING
B	COVER	1	ENGINEERING THERMO-PLASTIC UL 94V-0	BLACK
A	HOUSING	1	ENGINEERING THERMO-PLASTIC UL 94V-0	BLACK
NO	DESCRIPTION	QTY	MATERIAL	PLATING & COLOR

UNLESS OTHERWISE SPECIFIED TOLERANCES

DECIMALS: ANGLES:

X : ±0.5 X : ±2°

X.X : ±0.3 X.X : ±1°

X.XX : ±0.2

Singatron Enterprise Co., Ltd.
信音企業股份有限公司

Part No. 2DC1534-000111H

Scale 4:1

Size: A3

Sheet: 1 of 1

Rev: A

CUSTOMER COPY