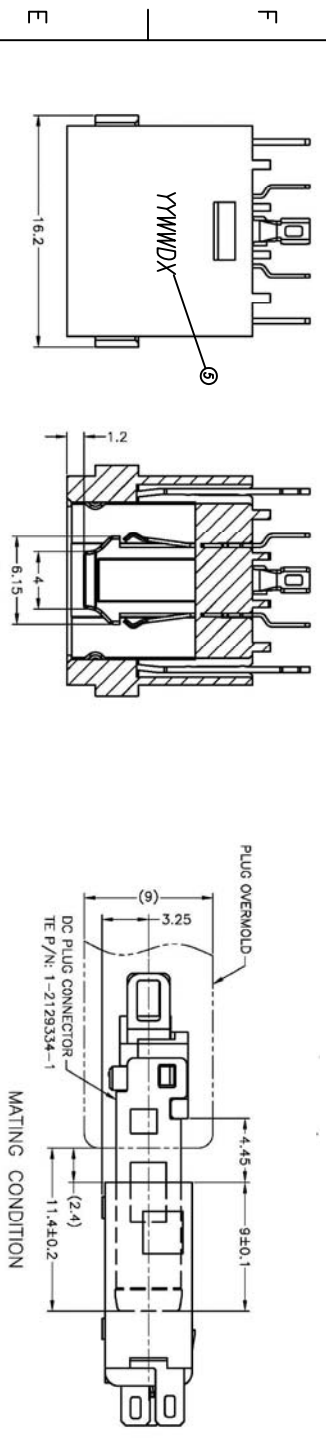
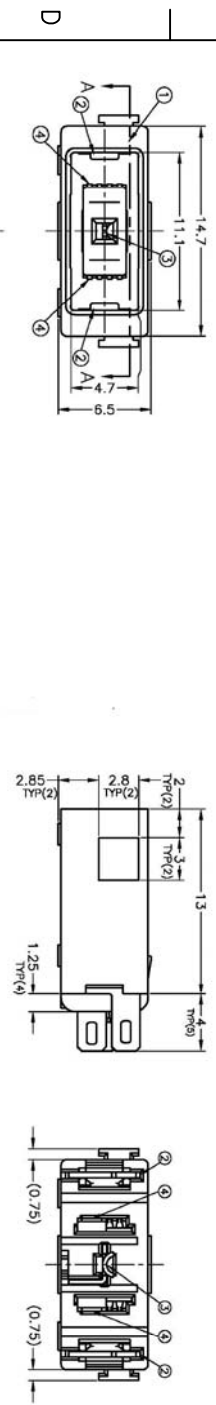


REV/ECN NO OR DESCRIPTION	REVISED	DATE
A PDR RELEASE	INV-C	2013.08.29



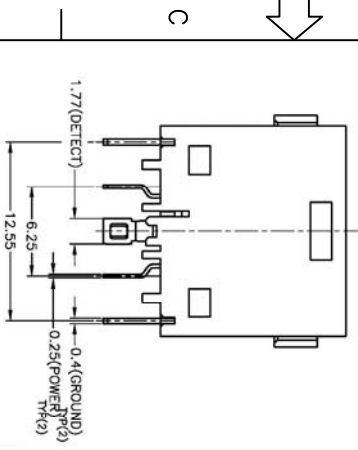
- SPECIFICATIONS:
1. SPEC TO REFER " 2DC1545 SERIES SPEC"
 2. TO CONFORM TO THE SINGATRON HAZARDOUS SUBSTANCE FREE SPEC.
 3. HALOGEN FREE PRODUCT IDENTIFICATION LABEL ON PACKAGING.
 4. PACKAGE: SEE "2DC1545 SERIES" PACKAGE.
 5. FOR HAND SOLDERING LEAD-FREE PROCESS.



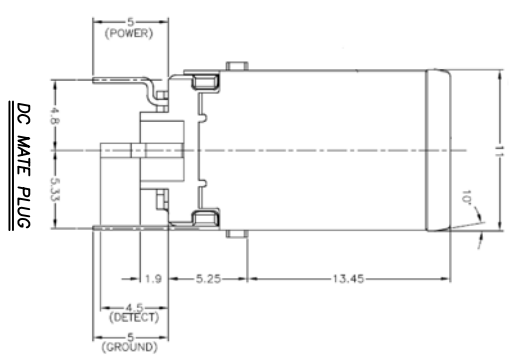
PART NO.
2DC1545-000111F

SUFFIX: HALOGEN FREE
PACKAGE
1: TAPE&REEL
HOUSING COLOR
1: YELLOW

CONTACT PLATING
1: GOLD PLATING ON CONTACT AREA,
MATE TIN PLATING ON SOLDER AREA,
NICKEL UNDERPLATED ALL OVER



YY WW D X
生 產 別
D: 日 班 生 產
N: 夜 班 生 產
日 周 年



5	INK	2	COPPER ALLOY	BLACK
4	POWER CONTACT	1	COPPER ALLOY	SEE " PART NO."
3	DETECT CONTACT	1	COPPER ALLOY	SEE " PART NO."
2	GROUND CONTACT	2	COPPER ALLOY	SEE " PART NO."
1	HOUSING	1	HIGH TEMP. THERMOPLASTIC UL 94V-0	YELLOW

UNLESS OTHERWISE SPECIFIED TOLERANCES

DECIMALS:	ANGLES:
X : ±0.5	X : ±2°
X.X : ±0.3	X.X : ±1'
X:XX : ±0.2	

TITLE	DC POWER JACK
DWVN	M-4-2013.08.29
CHKD	PART NO. 2DC1545-000111F
APVD	SCALE 1:1 UNIT: mm
	SIZE: A3 SHEET: 1 OF 1 REV: A

CUSTOMER COPY

Singatron Enterprise Co., Ltd.
信音企業股份有限公司