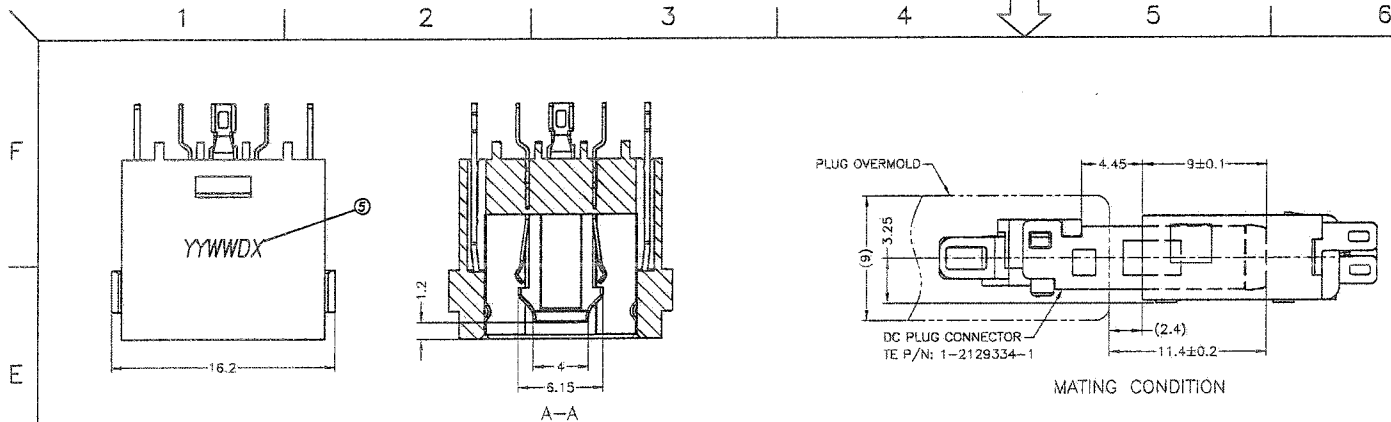
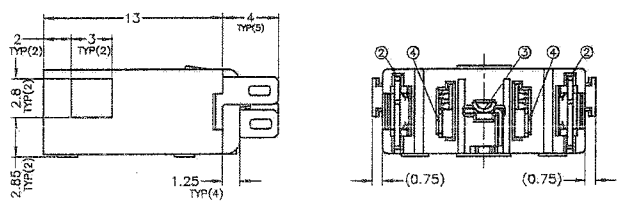
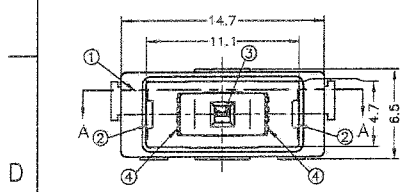


REV.	ECN NO OR DESCRIPTION	REVISED	DATE
A	PDR RELEASE(2DC1545-000122F) 2DC1545-000111F — 2DC1545-0001XXF	IVY-C	2014.05.15

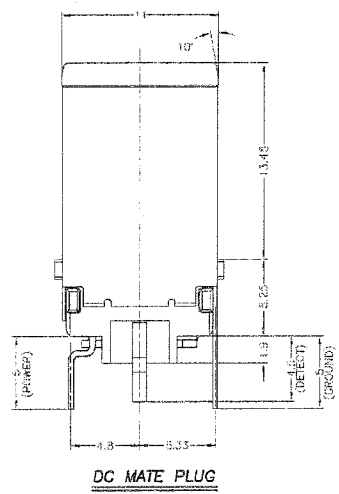
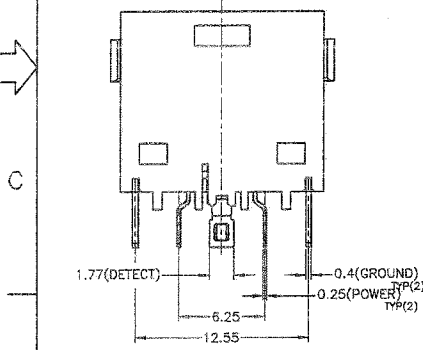


- SPECIFICATIONS:**
- SPEC TO REFER "2DC1545 SERIES SPEC"
  - TO CONFORM TO THE SINGATRON HAZARDOUS SUBSTANCE FREE SPEC.
  - HALOGEN FREE PRODUCT IDENTIFICATION LABEL ON PACKAGING:
  - 2DC1545-000111F PACKAGE: SEE "2DC1545 SERIES" PACKAGE.
  - 2DC1545-000122F PACKAGE: SEE "2DC1545-000122F" PACKAGE.
  - FOR HAND SOLDERING LEAD-FREE PROCESS.



**PART NO.**  
**2DC1545-0001XXF**

- SUFFIX: HALOGEN
- PACKAGE
- 1: TAPE&REEL
- 2: TRAY
- HOUSING COLOR
- 1: YELLOW
- 2: BLACK
- CONTACT PLATING
- 1: GOLD PLATING ON CONTACT AREA,  
MATTE TIN PLATING ON SOLDER AREA,  
NICKEL UNDERPLATED ALL OVER



**YY WW D X**

- 生產別
- D: 日班生產
- N: 夜班生產
- 日
- 周
- 年

5	INK		BLACK
4	POWER CONTACT	2	COPPER ALLOY SEE "PART NO."
3	DETECT CONTACT	1	COPPER ALLOY SEE "PART NO."
2	GROUND CONTACT	2	COPPER ALLOY SEE "PART NO."
1	HOUSING	1	HIGH TEMP. THERMOPLASTIC UL 94V-0 SEE "PART NO."

NO	DESCRIPTION	QTY	MATERIAL	PLATING & COLOR
UNLESS OTHERWISE SPECIFIED TOLERANCES		Singatron Enterprise Co., Ltd. 信音企業股份有限公司		
DECIMALS:		TITLE		
X :±0.5		DC POWER JACK		
X.X :±0.3		DWN <del>NY-C 2014.05.15</del> PART NO.2DC1545-0001XXF		
X.XX :±0.2		CHKD SCALE 1:1 UNIT: mm		
		APVD <del>ANGEL 2014.05.15</del> SIZE: A3 SHEET:1 OF 1 REV: A		
<b>CUSTOMER COPY</b>				