

REV.	ECN NO OR DESCRIPTION	REVISED	DATE
A	PDR RELEASE	EVEN	2017.11.07

SPECIFICATIONS:

1. RATING: DC 18V, 5A.
2. CONTACT RESISTANCE: 50 mΩ MAX.
3. INSULATION RESISTANCE: 100M Ohms MIN. @500V DC.
4. WITHSTANDING VOLTAGE: 500V AC 1 MINUTE.
5. INSERTION FORCE: 0.3kgf TO 3.0 kgf
6. EXTRACTION FORCE: 0.3kgf TO 3.0 kgf
7. LIFE TEST: 5000 CYCLES.
8. TO CONFORM TO THE SINGATRON HAZARDOUS SUBSTANCE FREE SPEC.
9. HALOGEN FREE PRODUCT IDENTIFICATION LABEL ON PACKAGING:
10. PACKAGE: SEE "2DC1548-202211F" PACKAGE.
11. FOR REFLOW SOLDERING LEAD-FREE PROCESS.
12. OTHER GENERAL SPEC. TO REFER "2DC1548-202211F SPEC"

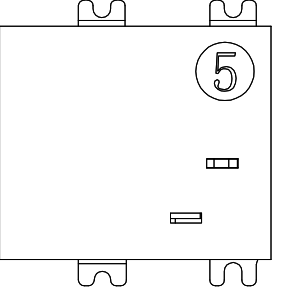
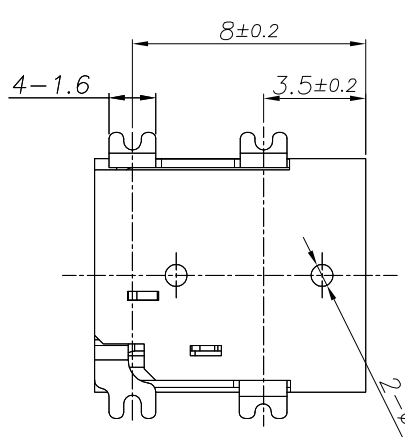
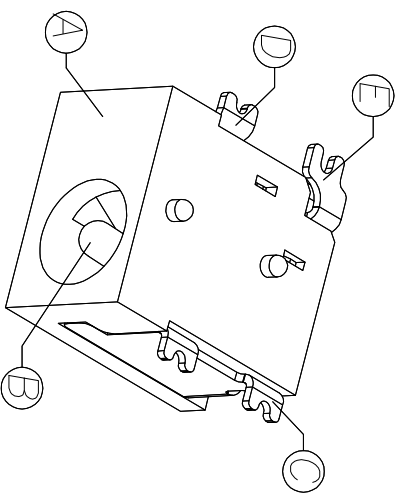
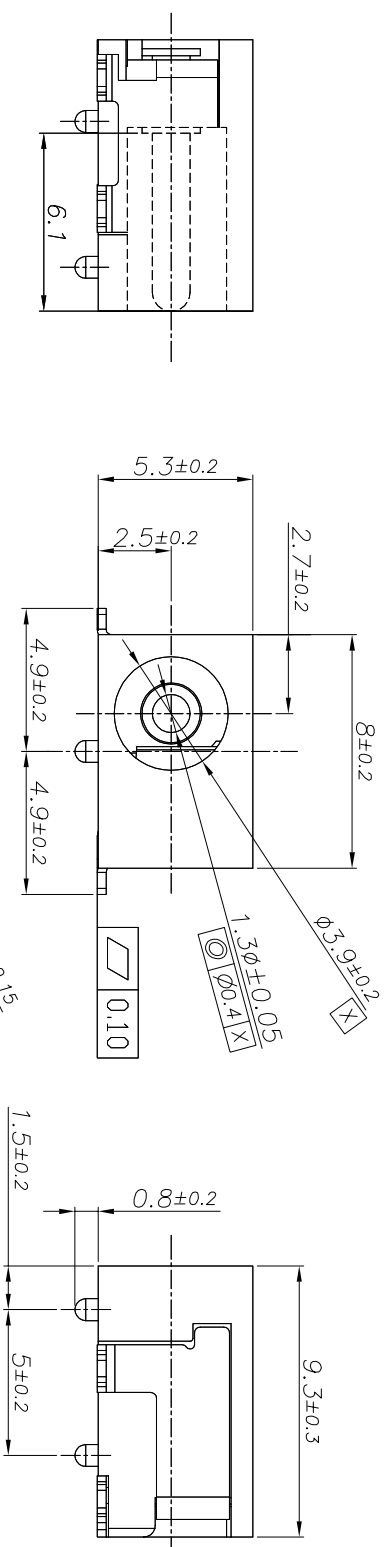


PART NO.

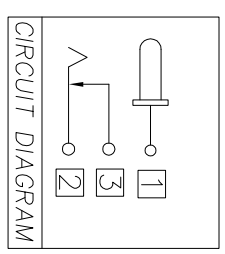
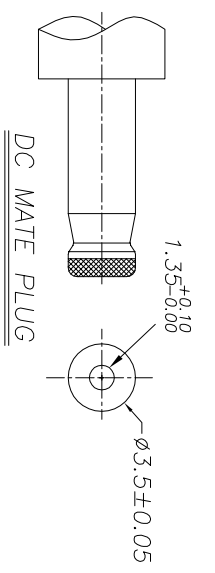
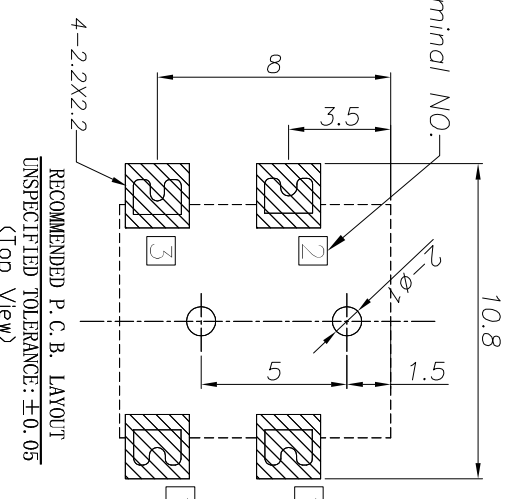
2DC1548-202211F

PIN :
2: 1.3φ

SUFFIX: HALOGEN FREE
PACKAGE
1: TAPE & REEL
HOUSING COLOR
1: BLACK
CONTACT PLATING
2: Silver PLATING



TOP VIEW



□ : TERMINAL NO.

NO	DESCRIPTION	QTY	MATERIAL	PLATING & COLOR
E	SHUNT TERMINAL	1	C2680	SILVER PLATING
D	TIP SPRING	1	G5210	SILVER PLATING
C	CENTER PIN TERMINAL	1	C2680	SILVER PLATING
B	CENTER PIN	1	BRASS	CuSn
A	HOUSING	1	PA-10 UL 94V-0	BLACK

UNLESS OTHERWISE SPECIFIED TOLERANCES

Singatron Enterprise Co., Ltd.
信音企業股份有限公司

DECIMALS:	ANGLES:	TITLE	DC POWER JACK, SMT TYPE
X : ±0.5	X : ±2°	DWNN	ENEN 2017.11.07
X.X : ±0.3	X.X : ±1°	CHKD	ANGELA2017.11.07
X.XX : ±0.2		APVD	ANGELA2017.11.07

CUSTOMER COPY