
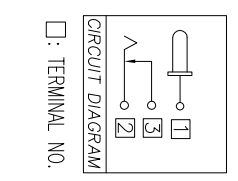
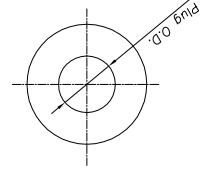
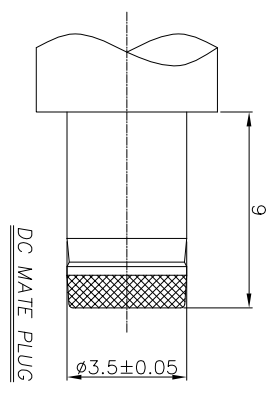
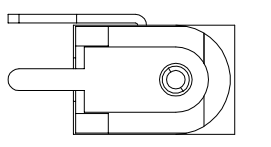
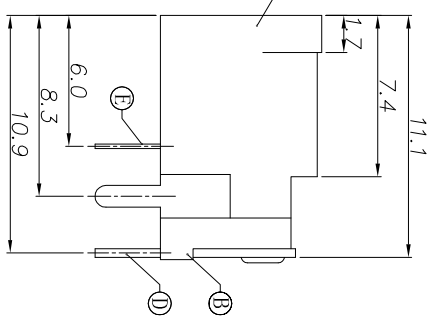
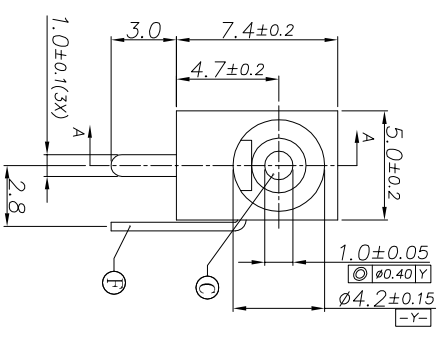
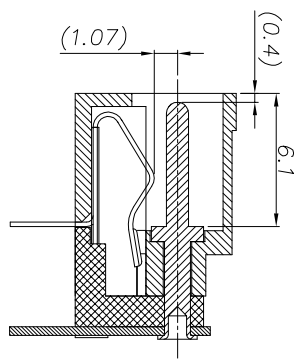


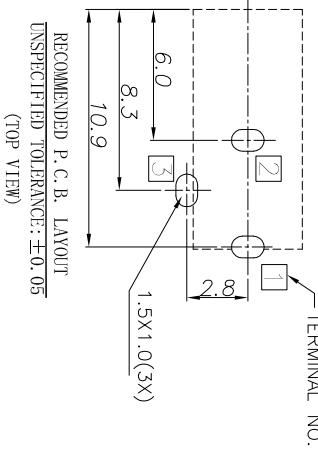
REV.	ECN NO OR DESCRIPTION	REVISED	DATE
A	PDR RELEASE	EVEN	2019.03.28

SPECIFICATIONS:

- ELECTRICAL CHARACTERISTICS:
 - RATING: 30V 2A
 - CONTACT RESISTANCE: 50mΩ MAX.(INITIAL)
 - DIELECTRIC WITHSTANDING VOLTAGE: 500V AC FOR ONE MINUTE
 - INSULATION RESISTANCE: 100M Ω MIN. MEASURED BY 500 VDC
- MECHANICAL CHARACTERISTICS:
 - INSERTION FORCE: 0.3~3.0 KGF
 - WITHDRAWAL FORCE: 0.3~3.0 KGF
 - LIFE TEST: 5,000 CYCLES MIN.
- OTHER GENERAL SPEC. TO REFER "20C1551-202113F SPEC."
- TO CONFORM TO SINGATRON HAZARDOUS SUBSTANCE FREE SPECIFICATION
- HALOGEN PRODUCT IDENTIFICATION LABEL ON PACKAGING: 
- FOR WAVE SOLDERING PROCESS AT PERK TEMPERATURE 250° MAX & 5±3 SEC
- PACKAGING: Bag packing.




□ : TERMINAL NO.



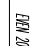
RECOMMENDED P.C.B. LAYOUT
UNSPECIFIED TOLERANCE: ±0.05
(TOP VIEW)


Model No.	
PIN	ø1.0
dc Plug o.d.	1.05±0.10


NO	DESCRIPTION	QTY	MATERIAL	PLATING & COLOR
A	Housing	1	PBT+15%G.F.(5615)	BLACK,HF
B	Cover	1	PBT+15%G.F.(5615)	BLACK,HF
C	Center pin	1	COPPER ALLOY	CUSn:10U "Mn.
D	Center pin terminal	1	C2680R-H,T=0.40	Ag:8U "Ni:40U"
E	Tip spring	1	SUS301R-3/4H,T=0.20	Ag:8U "Ni:40U"
F	Shunt terminal	1	C2680R-H,T=0.40	Ag:8U "Ni:40U"

 Singatron Enterprise Co., Ltd.
信音企業股份有限公司

TITLE DC JACK

DRAWN:  PRT NO.:2DC1551-202113F

CHKD:  SCALE:N/A UNIT: mm

APVD:  SIZE: A3 SHEET: 1 OF 1 REV:A

CUSTOMER COPY