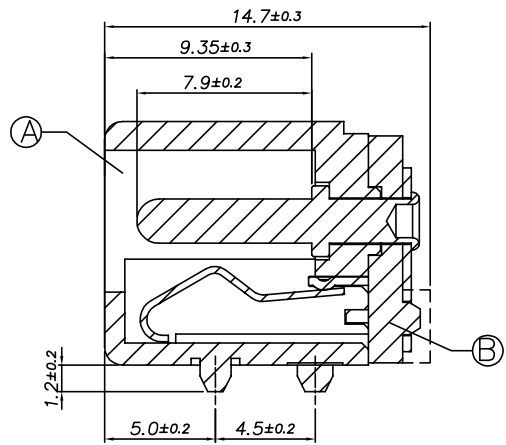
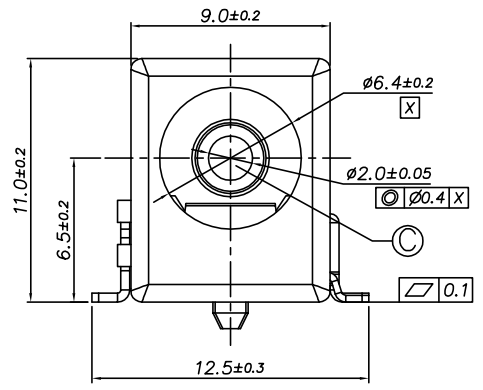
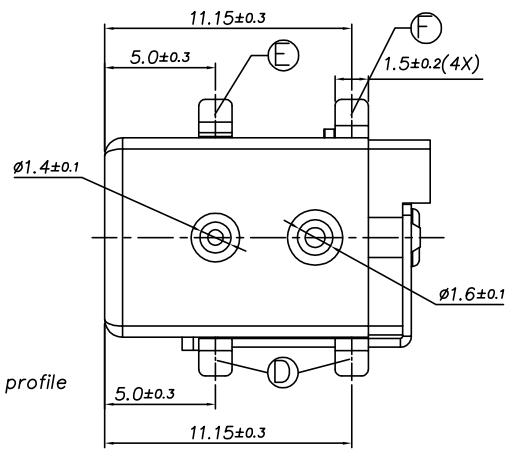
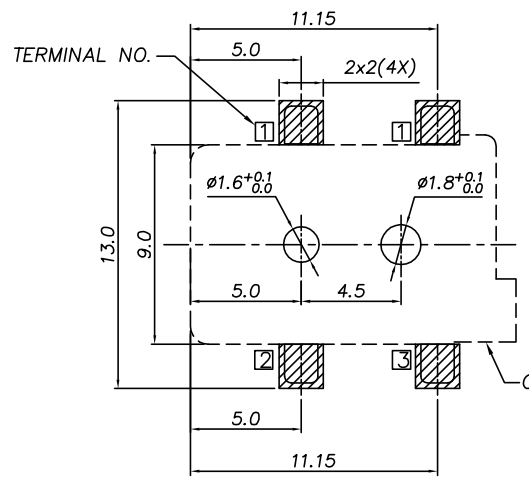


REV.	ECN NO OR DESCRIPTION	REVISED	DATE
A	PDR RELEASE	Even	2018.03.21



- SPECIFICATIONS:**
1. RATING: DC 24V, 5A.
 2. CONTACT RESISTANCE: 50 mΩ MAX.
 3. INSULATION RESISTANCE: 100M Ohms MIN. @500V DC.
 4. WITHSTANDING VOLTAGE: 500V AC 1 MINUTE.
 5. INSERTION FORCE: 0.3Kgf TO 3.0 Kgf
 6. EXTRACTION FORCE: 0.3Kgf TO 3.0 Kgf
 7. LIFE TEST: 5000 CYCLES.
 8. TO CONFORM TO THE SINGATRON HAZARDOUS SUBSTANCE FREE SPEC.
 9. GREEN PRODUCT IDENTIFICATION LABEL ON PACKAGING: **G.P. PASS**
 10. PACKAGE: SEE "2DC1552-110111H" PACKAGE.
 11. FOR REFLOW SOLDERING LEAD-FREE PROCESS.
 12. OTHER GENERAL SPEC. TO REFER "2DC1552-110111H SPEC"

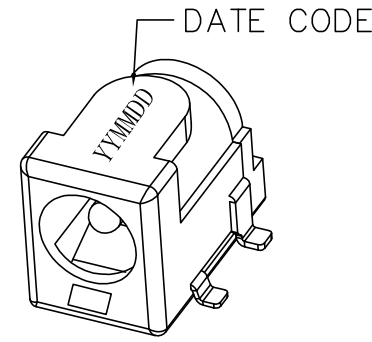
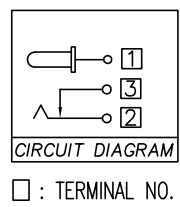
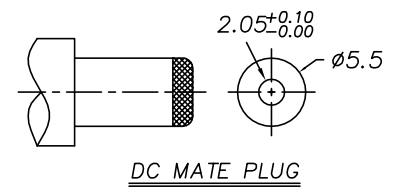


PART NO.
2DC1552-110111H

PIN Ø. :
1: 2.0Ø

- SUFFIX: HALOGEN
- PACKAGE: 1: TAPE & REEL
- HOUSING COLOR: 1: BLACK
- CONTACT PLATING: 1: MATTE TIN PLATING

RECOMMENDED P. C. B. LAYOUT
UNSPECIFIED TOLERANCE: ±0.05
(TOP VIEW)



F	SHUNT TERMINAL	1	BRASS 0.4t	MATTE TIN PLATING
E	TIP SPRING	1	PHOSPHOR BRONZE 0.3t	MATTE TIN PLATING
D	CENTER PIN TERMINAL	1	BRASS 0.4t	MATTE TIN PLATING
C	CENTER PIN	1	COPPER ALLOY	GOLD FLASH
B	COVER	1	PA-9T UL 94V-0	BLACK
A	HOUSING	1	PA-9T UL 94V-0	BLACK
NO	DESCRIPTION	QTY	MATERIAL	PLATING & COLOR
UNLESS OTHERWISE SPECIFIED TOLERANCES		Singatron Enterprise Co., Ltd. 信音企業股份有限公司		
DECIMALS:		ANGLES:	TITLE	
X	:±0.5	X	:±2'	DC POWER JACK, SMT TYPE
X.X	:±0.3	X.X	:±1'	DWN EVEN 2018.03.21 PART NO. 2DC1552-110111H
X.XX	:±0.2			CHKD ANGELA2018.03.21 SCALE 1:1 UNIT: mm
				APVD ANGELA2018.03.21 SIZE: A3 SHEET:1 OF 1 REV: A
CUSTOMER COPY				