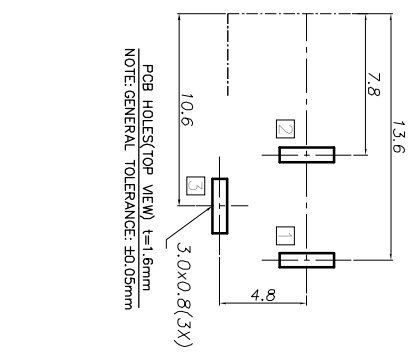
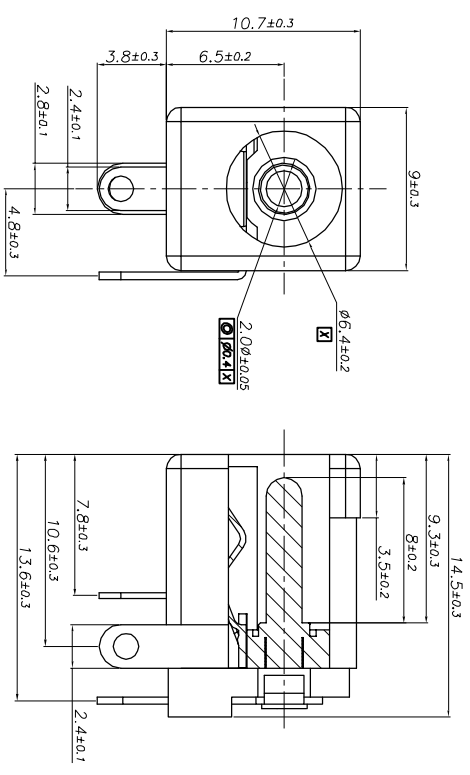


REV.	ECN NO.	OR DESCRIPTION	REVISED	DATE
A	PDR NO.:	T180521-1A	XUEHUA	2018.10.22

SPECIFICATIONS:

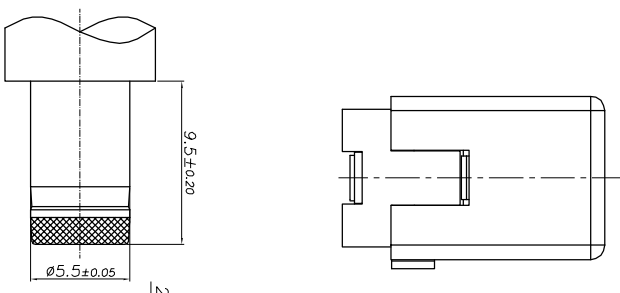
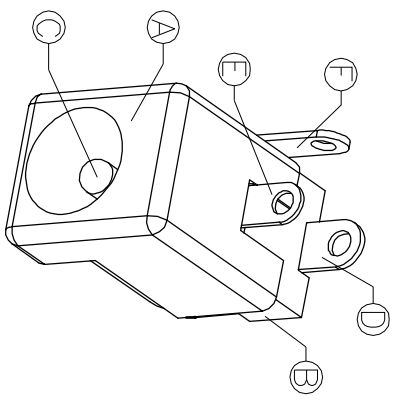
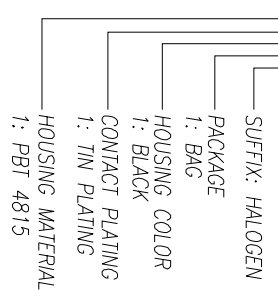
1. RATING: DC 24V, 5A.
2. CONTACT RESISTANCE: 50 mΩ MAX.
3. INSULATION RESISTANCE: 100M Ohms MIN. @500V DC.
4. WITHSTANDING VOLTAGE: 500V AC 1 MINUTE.
5. INSERTION FORCE: 0.3kgf TO 3.0 kgf
6. EXTRACTION FORCE: 0.3kgf TO 3.0 kgf
7. LIFE TEST: 5000 CYCLES.
8. TO CONFORM TO THE SINGATRON HAZARDOUS SUBSTANCE FREE SPEC.
9. GREEN PRODUCT IDENTIFICATION LABEL ON PACKAGING: **[G.P. PASS]**
10. PACKAGE: SEE "2DC1553-121111H" PACKAGE.
11. FOR WAVE SOLDERING LEAD-FREE PROCESS.



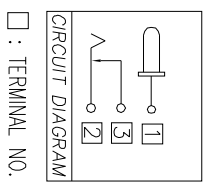
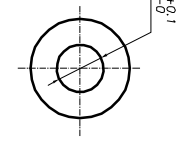
PART NO.

2DC1553-121111H

PIN Ø: 2.0Ø



DC MATE PLUG



CIRCUIT DIAGRAM

NO	DESCRIPTION	QTY	MATERIAL	PLATING & COLOR
F	SHUNT TERMINAL	1	BRASS 0.4t	TIN PLATING
E	TIP SPRING	1	PHOSPHOR BRONZE 0.3t	TIN PLATING
D	CENTER PIN TERMINAL	1	BRASS 0.4t	TIN PLATING
C	CENTER PIN	1	BRASS	CuSn PLATING
B	COVER	1	PBT 4815	BLACK
A	HOUSING	1	PBT 4815	BLACK

Singatron Enterprise Co., Ltd.
信音企業股份有限公司

TITLE: DC POWER JACK, DIP TYPE

DECIMALS:	ANGLES:
X : ±0.5	X : ±2°
X.X : ±0.3	X.X : ±1°
X.XX : ±0.2	

CHKD	APVD	LUSSSEN	SIZE: A3	SHEET: 1 OF 1	REV: A

CUSTOMER COPY