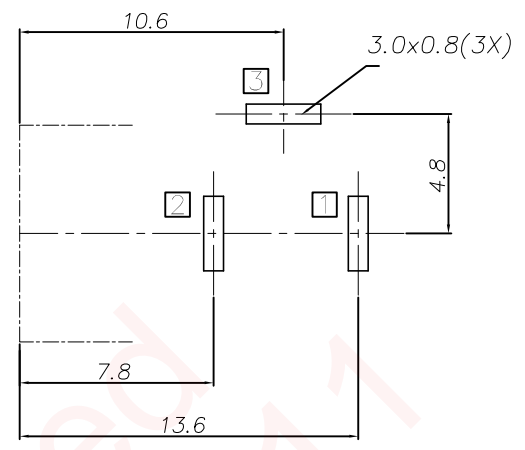
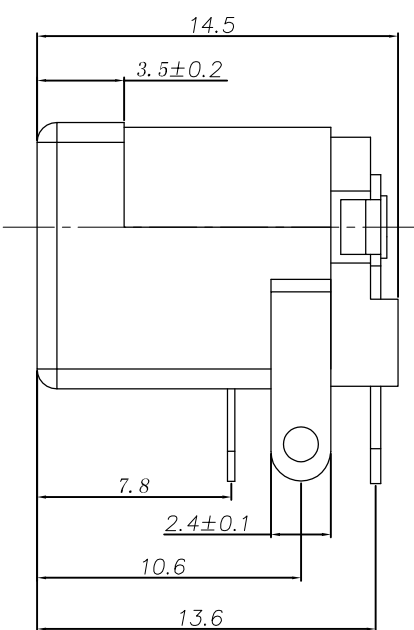
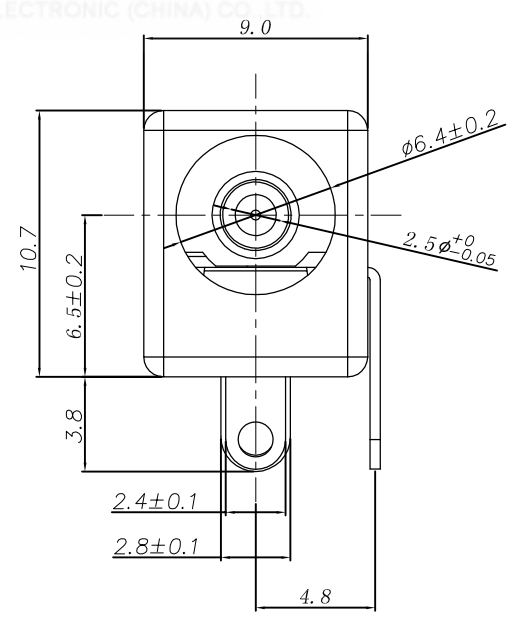


REV.	ECN NO OR DESCRIPTION	REVISED	DATE
A	PDR RELEASE	Even	2016.12.02



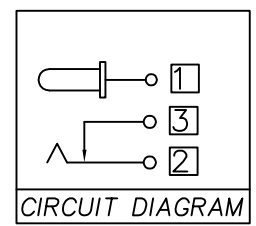
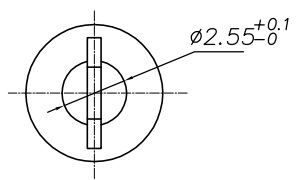
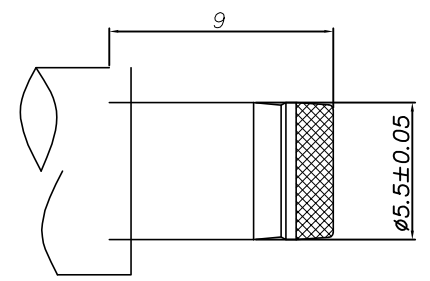
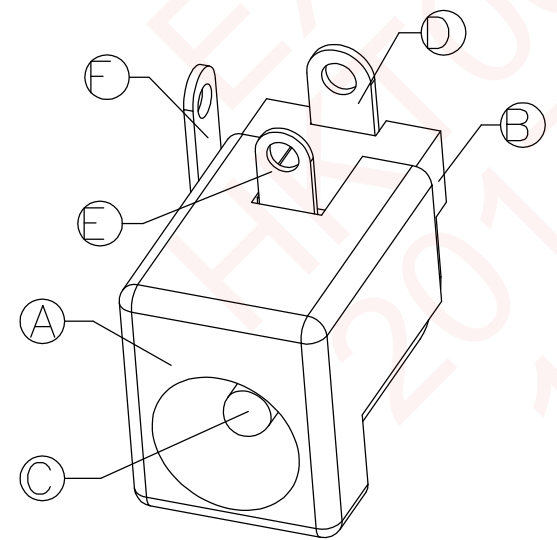
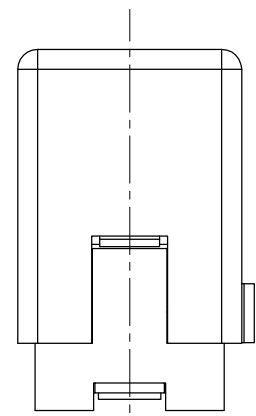
RECOMMENDED P. C. B. LAYOUT
UNSPECIFIED TOLERANCE: ±0.05
(BOTTOM VIEW)

- SPECIFICATIONS:**
- RATING: DC 16V, 5A.
 - CONTACT RESISTANCE: 30 mΩ MAX.
 - INSULATION RESISTANCE: 100M Ohms MIN. @500V DC.
 - WITHSTANDING VOLTAGE: 500V AC 1 MINUTE.
 - INSERTION FORCE: 0.3Kgf TO 3.0 Kgf
 - EXTRACTION FORCE: 0.3Kgf TO 3.0 Kgf
 - LIFE TEST: 5000 CYCLES.
 - TO CONFORM TO THE SINGATRON HAZARDOUS SUBSTANCE FREE SPEC.
 - GREEN PRODUCT IDENTIFICATION LABEL ON PACKAGING: **G.P. PASS**
 - PACKAGE: SEE "2DC1553-320111H" PACKAGE.
 - FOR WAVE SOLDERING LEAD-FREE PROCESS.
 - OTHER GENERAL SPEC. TO REFER "2DC1553-320111H SPEC"

PART NO.

2DC1553-320111H

- PIN Ø : 2.5φ
- SUFFIX: HALOGEN
 - PACKAGE: 1: BAG
 - HOUSING COLOR: 1: BLACK
 - CONTACT PLATING: 1: TIN PLATING
 - HOUSING MATERIAL: 0: PBT



□ : TERMINAL NO.

F	SHUNT TERMINAL	1	BRASS 0.4t	TIN PLATING
E	TIP SPRING	1	PHOSPHOR BRONZE 0.3t	TIN PLATING
D	CENTER PIN TERMINAL	1	BRASS 0.4t	TIN PLATING
C	CENTER PIN	1	BRASS	NICKEL
B	COVER	1	PBT UL 94V-0	BLACK
A	HOUSING	1	PBT UL 94V-0	BLACK
NO	DESCRIPTION	QTY	MATERIAL	PLATING & COLOR
UNLESS OTHERWISE SPECIFIED TOLERANCES		3	Singatron Enterprise Co., Ltd. 信音企業股份有限公司	
DECIMALS:	ANGLES:	TITLE DC POWER JACK, DIP TYPE		
X : ±0.5	X : ±2°	DWN	EVEN 2016.12.02	PART NO. 2DC1553-320111H
X.X : ±0.3	X.X : ±1°	CHKD	ANGELA 2016.12.02	SCALE 1:1 UNIT: mm
X.XX : ±0.2		APVD	ANGELA 2016.12.02	SIZE: A3 SHEET: 1 OF 1 REV: A
CUSTOMER COPY				