
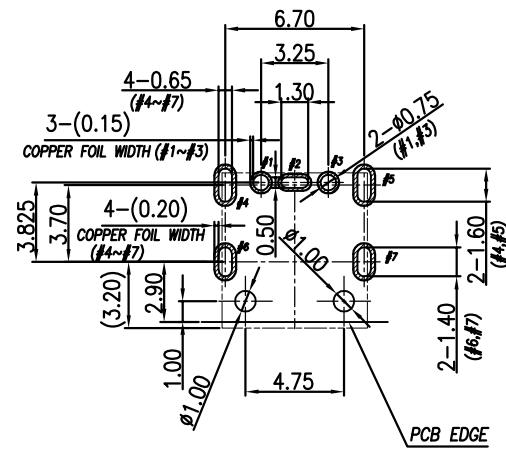
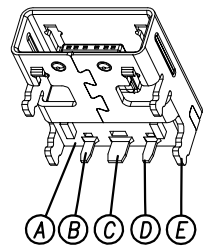
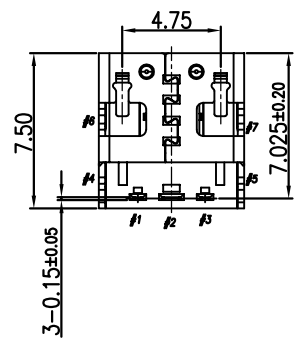
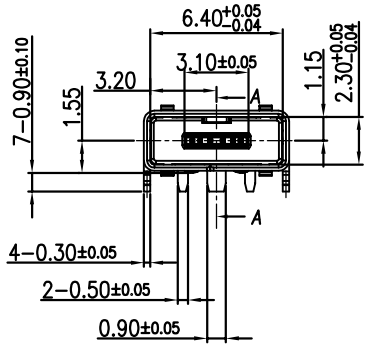
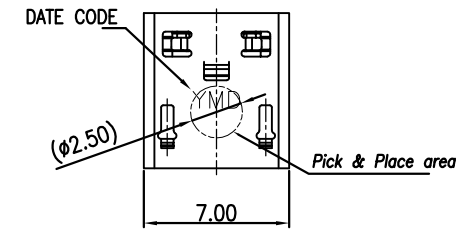
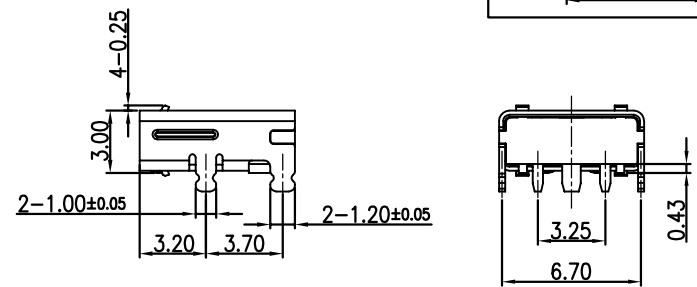
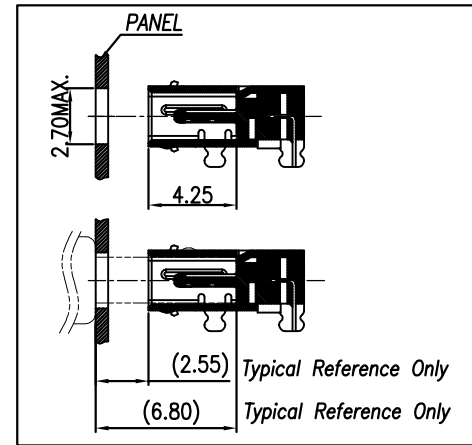
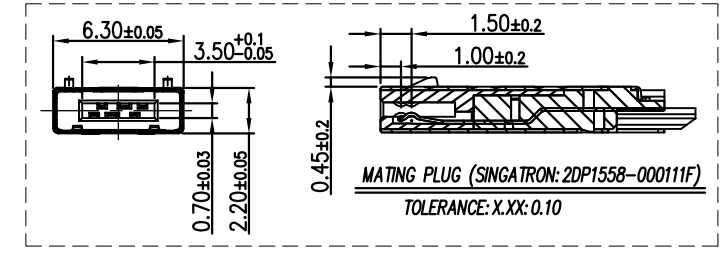
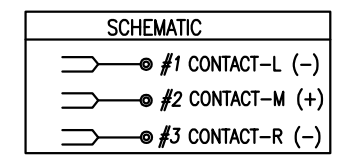


REV.	ECN NO OR DESCRIPTION	REVISED	DATE
A	PDR RELEASE	IVY-C	2015.12.10


SPECIFICATIONS:

- ELECTRICAL CHARACTERISTICS:
  - CURRENT RATING: 19V 2A.
  - CONTACT RESISTANCE: 10mΩ MAX.
  - DIELECTRIC WITHSTANDING VOLTAGE: 500V AC FOR 1 MINUTE.
  - INSULATION RESISTANCE: 100MΩ MIN. BY 500V DC.
- MECHANICAL CHARACTERISTICS:
  - INSERTION FORCE: 3.5KGF MAX. (INITIAL / AFTER LIFE TEST)
  - WITHDRAWAL FORCE: 0.6KGF MIN. (INITIAL / AFTER LIFE TEST)
- TEMPERATURE RISE CAN'T EXCEED 30° C.
- LIFE TEST: 8,000 CYCLES.
- WEIGHT: 0.35g.
- TO CONFORM TO THE SINGATRON HAZARDOUS SUBSTANCE FREE SPEC.
- HALOGEN FREE PRODUCT IDENTIFICATION LABEL ON PACKAGING: 
- FOR REFLOW SOLDERING LEAD-FREE PROCESS.
- PRINTED DATE CODE "YMD" ON TOP OF CONNECTOR.

L: DAY  
 M: MONTH  
 Y: YEAR

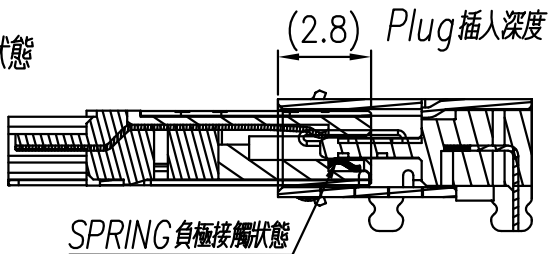


RECOMMEND P.C.B LAYOUT(T=0.8mm)  
TOP VIEW (TOLERANCES:±0.05)

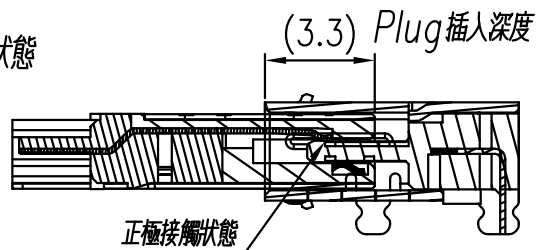
E	SHELL	1	STAINLESS STEEL(SUS304)	Ni 50u"MIN.
D	CONTACT-R	1		
C	CONTACT-M	1	COPPER ALLOY(C18400)	GOLD FLASH ON CONTACT AREA; MATTE SN 50~100u" ON SOLDER; ALL OVER Ni 50u" MIN.
B	CONTACT-L	1		
A	HOUSING	1	LCP E130I UL94V-0	BLACK
NO	DESCRIPTION	QTY	MATERIAL	PLATING & COLOR
UNLESS OTHERWISE SPECIFIED TOLERANCES		 Singatron Enterprise Co., Ltd. 信音企業股份有限公司		
DECIMALS:	ANGLES:	TITLE DC POWER JACK		
X ±0.5	X ±2°	DWN	NY-C 2015.12.10	PART NO. 2DC1558-010111F
X.X ±0.3	X.X ±1°	CHKD	ANGELA2015.12.10	SCALE: 4:1 UNIT: mm
X.XX ±0.2		APVD	ANGELA2015.12.10	SIZE: A3 SHEET: 1 OF 2 REV: A
<b>CUSTOMER COPY</b>				

REV.	ECN NO OR DESCRIPTION	REVISED	DATE
A	PDR RELEASE	IVY-C	2015.12.10

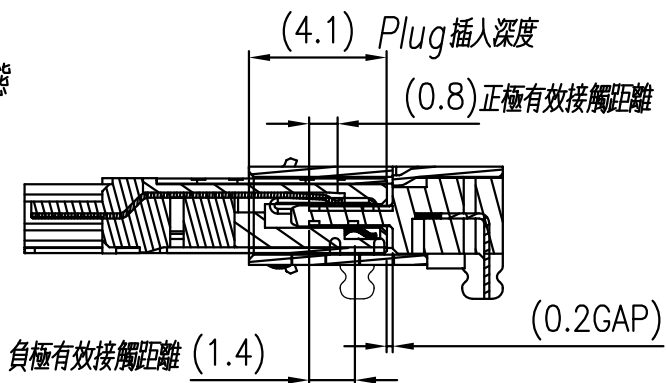
1. 負極接觸狀態



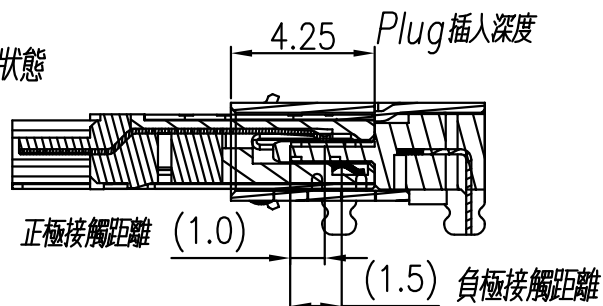
2. 正極接觸狀態



3. Lock 狀態



4. Plug 插到底狀態



NO	DESCRIPTION	QTY	MATERIAL	PLATING & COLOR
UNLESS OTHERWISE SPECIFIED TOLERANCES			Singatron Enterprise Co., Ltd. 信音企業股份有限公司	
DECIMALS:	ANGLES:	TITLE	DC POWER JACK_MATING DRAWING	
X :±0.5	X :±2°	DWN	NY-C 2015.12.10	<b>PART NO. 2DC1558-010111F</b>
X.X :±0.3	X.X :±1°	CHKD	ANGELA2015.12.10	SCALE: : UNIT: mm
X.XX :±0.2		APVD	ANGELA2015.12.10	SIZE: A3 SHEET:2 OF 2 REV: A
<b>CUSTOMER COPY</b>				