
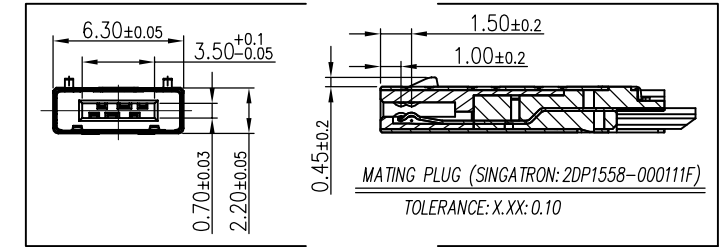
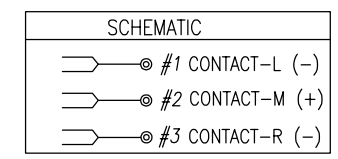


REV.	ECN NO OR DESCRIPTION	REVISED	DATE
A	PDR RELEASE	IVY-C	2015.12.10

SPECIFICATIONS:

- ELECTRICAL CHARACTERISTICS:
 - CURRENT RATING: 19V 2A.
 - CONTACT RESISTANCE: 10mΩ MAX.
 - DIELECTRIC WITHSTANDING VOLTAGE: 500V AC FOR 1 MINUTE.
 - INSULATION RESISTANCE: 100MΩ MIN. BY 500V DC.
- MECHANICAL CHARACTERISTICS:
 - INSERTION FORCE: 3.5KGF MAX. (INITIAL / AFTER LIFE TEST)
 - WITHDRAWAL FORCE: 0.6KGF MIN. (INITIAL / AFTER LIFE TEST)
- TEMPERATURE RISE CAN'T EXCEED 30° C.
- LIFE TEST: 8,000 CYCLES.
- WEIGHT: 0.64g.
- TO CONFORM TO THE SINGATRON HAZARDOUS SUBSTANCE FREE SPEC.
- HALOGEN FREE PRODUCT IDENTIFICATION LABEL ON PACKAGING: 
- FOR REFLOW SOLDERING LEAD-FREE PROCESS.
- PRINTED DATE CODE "YMD" ON TOP OF CONNECTOR.

Y: YEAR
 M: MONTH
 D: DAY



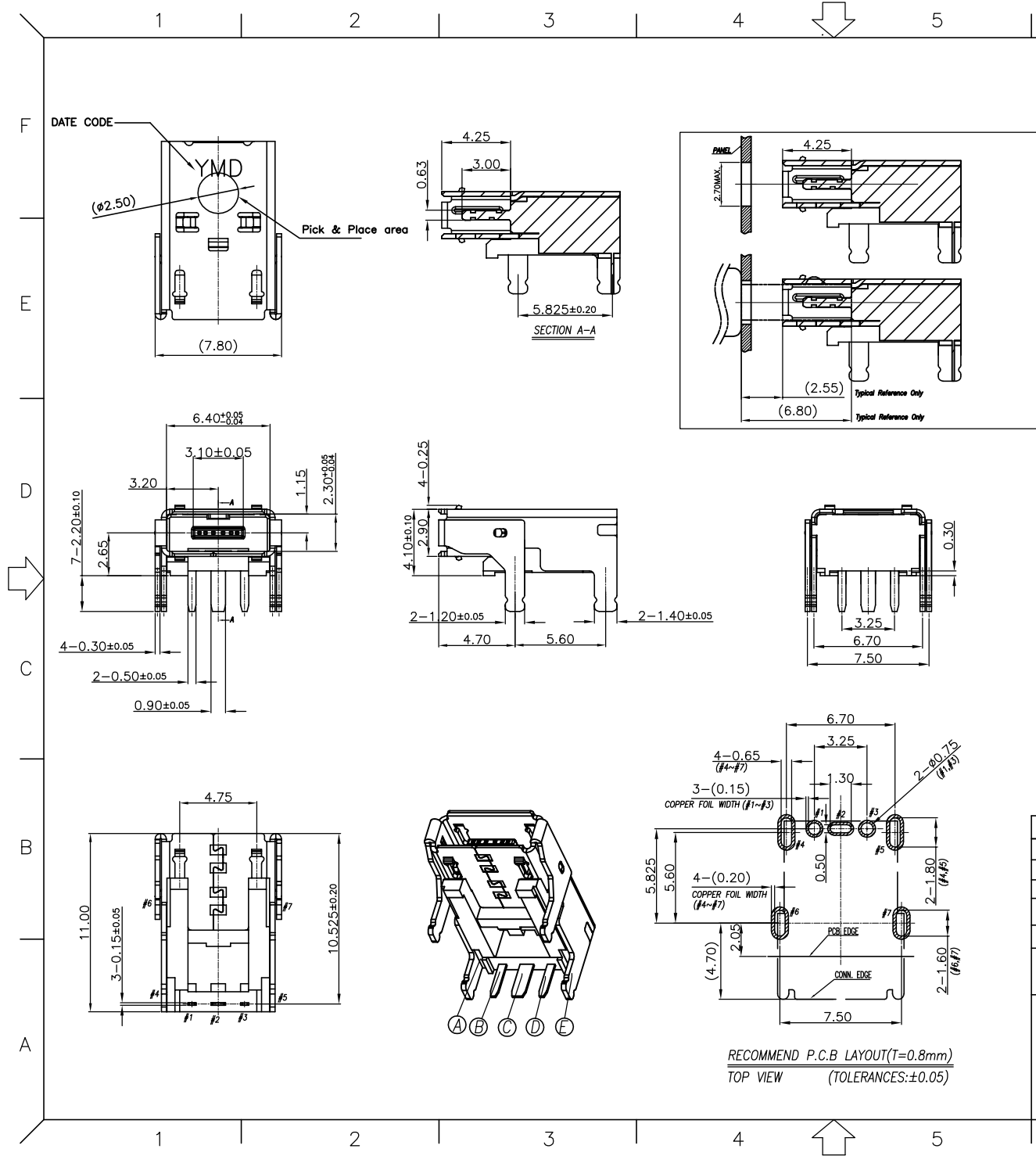
E	SHELL	1	STAINLESS STEEL(SUS304)	Ni 50u"MIN.
D	CONTACT-R	1		
C	CONTACT-M	1	COPPER ALLOY(C18400)	GOLD FLASH ON CONTACT AREA; MATTE SN 50~100u" ON SOLDER ALL OVER Ni 50u" MIN.
B	CONTACT-L	1		
A	HOUSING	1	LCP E130I UL94V-0	BLACK
NO	DESCRIPTION	QTY	MATERIAL	PLATING & COLOR

UNLESS OTHERWISE SPECIFIED TOLERANCES

 Singatron Enterprise Co., Ltd.
 信音企業股份有限公司

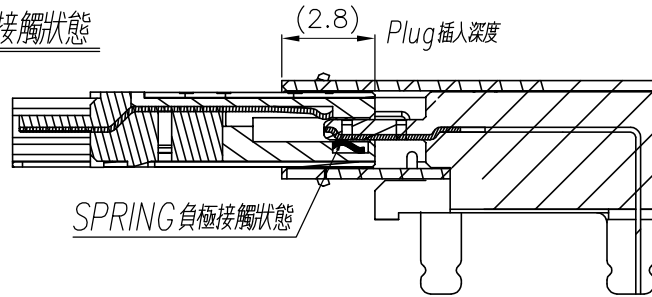
DECIMALS:	ANGLES:	TITLE	DC POWER JACK	
X : ±0.5	X : ±2°	DWN	IVY-C 2015.12.10	PART NO. 2DC1560-300111F
X.X : ±0.3	X.X : ±1°	CHKD	ANGELA2015.12.10	SCALE: 4:1 UNIT: mm
X.XX : ±0.2		APVD	ANGELA2015.12.10	SIZE: A3 SHEET: 1 OF 2

CUSTOMER COPY

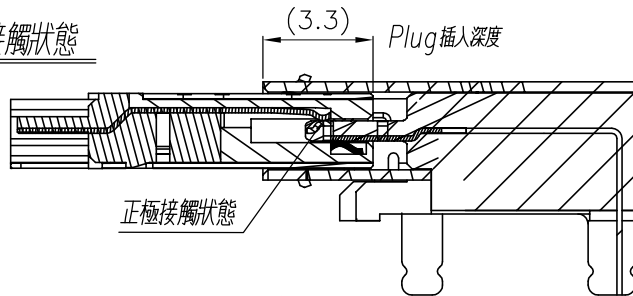


REV.	ECN NO OR DESCRIPTION	REVISED	DATE
A	PDR RELEASE	IVY-C	2015.12.10

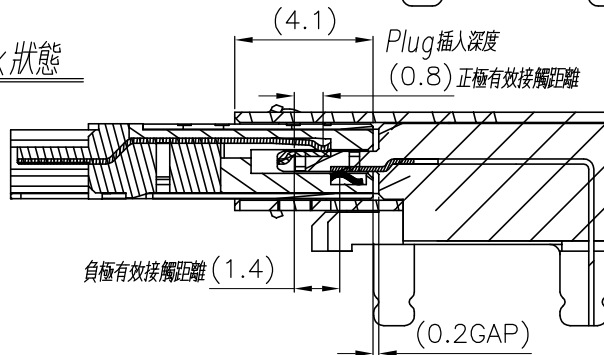
1. 負極接觸狀態



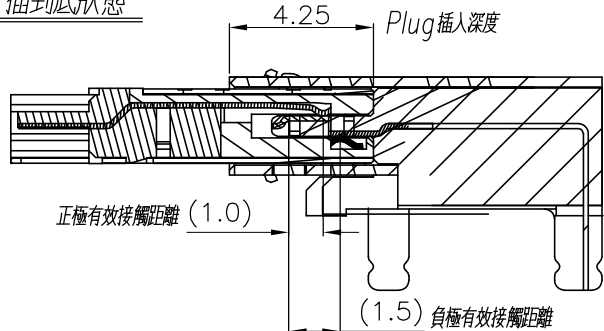
2. 正極接觸狀態



3. Lock狀態



4. Plug插到底狀態



NO	DESCRIPTION	QTY	MATERIAL	PLATING & COLOR
UNLESS OTHERWISE SPECIFIED TOLERANCES			Singatron Enterprise Co., Ltd. 信音企業股份有限公司	
DECIMALS:	ANGLES:	TITLE	DC POWER JACK_MATING DRAWING	
X :±0.5	X :±2°	DWN	IVY-C 2015.12.10	PART NO. 2DC1560-300111F
X.X :±0.3	X.X :±1'	CHKD	ANGELA2015.12.10	SCALE: : UNIT: mm
X.XX :±0.2		APVD	ANGELA2015.12.10	SIZE: A3 SHEET:2 OF 2 REV: A
CUSTOMER COPY				