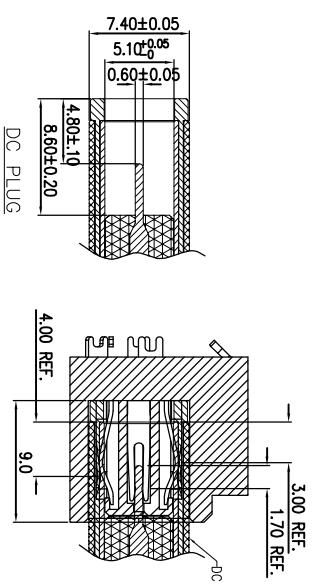
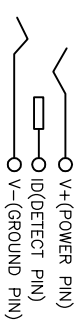
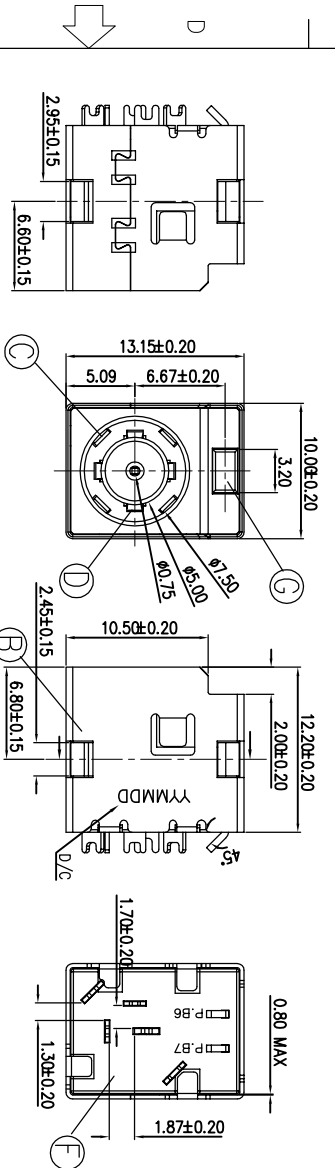
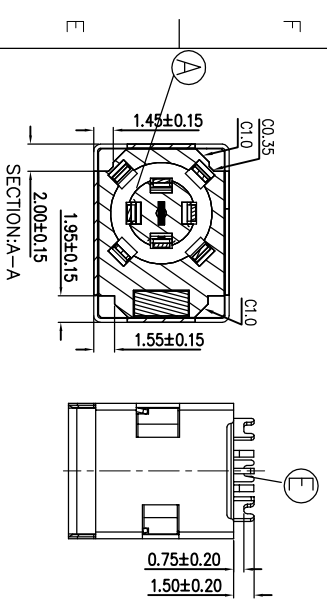
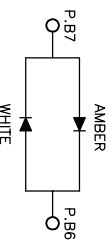


REV. ECN NO OR DESCRIPTION	REVISED	DATE
A PDR RELEASE	EVEN	2017.04.17



LED'S CHARACTERISTICS:

NODE	COLOR	DOMINANT WAVELENGTH	FORWARD VOLTAGE	LUMINOUS INTENSITY AT 20mA
P/B7(+) P/B6(-)	AMBER	585~595nm	2.6V Max	37.6~192.4mcd
P/B7(-) P/B6(+)	WHITE	N/A	3.7V Max	400~1150mcd



PART NO. 2DC1570-000111F

SUFFIX: HALOGEN FREE
 PACKAGE 1: TRAY
 HOUSING COLOR 1: BLACK
 PIN PLATING 1: 50u"Ni/30u"PdNi/5u"Au

- SPECIFICATION:
1. ELECTRICAL CHARACTERISTICS:
- 1.1 CONNECTOR RATED CURRENT: 1.25A@30° MAX. T OVER AMBIENT
 - 1.2 RATED VOLTAGE: 20V DC
 - 1.3 INSULATION RESISTANCE: 100 MOHMS MIN AT 100V DC AFTER 1 MINUTE.
 - 1.4 DIELECTRIC WITHSTANDING VOLTAGE: 150V AC FOR 1 MINUTE.
 - 1.5 CONTACT RESISTANCE: 30 MOHMS MAX.
2. MECHANICAL CHARACTERISTICS:
- 2.1 MATING FORCE: 2.5kgf MAX.
 - 2.2 UNMATING FORCE: INITIAL: 0.6kgf MIN. AFTER 5000 CYCLES: 0.5kgf MIN
 - 2.3 DURABILITY (MATING/UNMATING CYCLES): 5000 CYCLEX.
 3. OPERATING TEMPERATURE RANGE: -40°C~85°C
 4. HUMIDITY: 85% RH MAX
 5. PRODUCT USER GUIDE: MOISTURE SENSITIVE DEVICE MS16-AFTER PACKING, HAS BEEN OPENED 8 HOURS, PARTS MUST BE BAKED FOR MIN. 5 DAYS AT 40°C & 5% RH
6. LED'S CHARACTERISTICS
7. TO CONFORM TO THE SINGATRON HAZARDOUS SUBSTANCE FREE SPEC.
 8. HALOGEN FREE PRODUCT IDENTIFICATION LABEL ON PACKAGING.
 9. PACKAGE: SEE "2DC1570-000111F" PACKAGE.
 10. FOR REFLOW SOLDERING LEAD-FREE PROCESS.

G	LED	1	AMBER/WHITE
F	STOPPER	1	BLACK
E	DETECT PIN	1	50u"Ni/30u"PdNi/5u"Au
D	POWER PIN	1	50u"Ni/30u"PdNi/5u"Au
C	GROUND PIN	1	50u"Ni/30u"PdNi/5u"Au
B	SHELL	1	NICKEL
A	HOUSING	1	BLACK
NO	DESCRIPTION	QTY	MATERIAL
	LCP U194-V0		PLATING & COLOR

UNLESS OTHERWISE SPECIFIED TOLERANCES

DECIMALS:	ANGLES:
X : ±0.5	X : ±2°
X.X : ±0.3	X.X : ±1°
X.XX : ±0.2	

TITLE: DC POWER JACK

Part No. 2DC1570-000111F

Scale: 4:1 UNIT: mm

SIZE: A3 SHEET: 1 OF 1 REV: A

Singatron Enterprise Co., Ltd.
 信音企業股份有限公司

CUSTOMER COPY