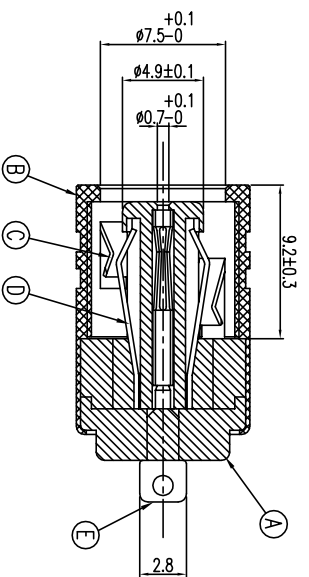
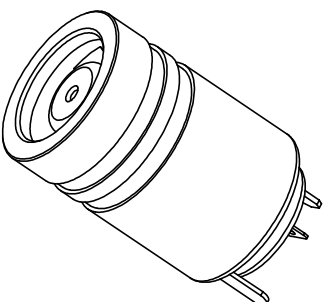
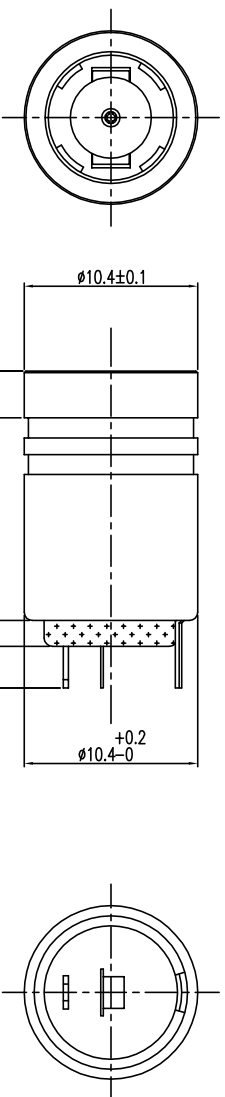


REV.	ECN NO.	OR DESCRIPTION	REVISED	DATE
A		PDR RELEASE	Even	2017.11.07
B	ECN NO: L180005		Even	2018.04.20

- SPECIFICATIONS:
- ELECTRICAL CHARACTERISTICS:
 - CURRENT RATING: 24V / 13A
 - CONTACT RESISTANCE: 30mΩ Max.
 - INSULATION RESISTANCE: 100MΩ MIN. @ 500V DC.
 - DIELECTRIC WITHSTANDING VOLTAGE: 500V AC FOR 1 MINUTE.
 - MECHANICAL CHARACTERISTICS:
 - INSERTION FORCE: 0.3~3kgf
 - WITHDRAWAL FORCE: 0.3~3kgf
 - LIFE TEST: 5000 CYCLES
 - OPERATING TEMPERATURE: -25°C TO +70°C
 - TO CONFORM TO THE SINGATRON HAZARDOUS SUBSTANCE FREE SPEC.
 - HALOGEN FREE PRODUCT IDENTIFICATION LABEL ON PACKAGING.
 - PACKAGE: SEE "20C1571-000111F" PACKAGE.
 - FOR HAND SOLDERING LEAD-FREE PROCESS.
 - SOLDERING TEMPERATURE * WITH 350+/-10 DEGREE C FOR A PERIOD LESS THAN 3 SECONDS
 - OTHER GENERAL SPEC. TO REFER "20C1571-000111F SPEC"



PART NO.

2DC1571-000111F

SUFFIX: HALOGEN FREE
 PACKAGE 1: BAG
 HOUSING COLOR 1: BLACK
 PLATING 1: NICKEL PLATING

E	CENTER CONTACT	1	PHOSPHOR BRONZE	NICKEL
D	TERMINAL-2	1	PHOSPHOR BRONZE	NICKEL
C	TERMINAL-1	1	PHOSPHOR BRONZE	NICKEL
B	OUTER SLEEVE	1	BRASS	NICKEL
A	HOUSING	1	PBT UL94-V0	BLACK
QTY	DESCRIPTION		MATERIAL	PLATING & COLOR

Singatron Enterprise Co., Ltd.
 信亨企業股份有限公司

UNLESS OTHERWISE SPECIFIED TOLERANCES			
DECIMALS:	ANGLES:		
X : ±0.5	X : ±2°		
X.X : ±0.3	X.X : ±1°		
X.XX : ±0.2			
TITLE	DC POWER JACK		
DWN	BAW 2018.04.20	PART NO.	2DC1571-000111F
CHKD		SCALE	4:1
APVD	AWJ 2018.04.20	UNIT:	mm
		SIZE:	A3
		SHEET:	1 OF 2
		REV:	B

CUSTOMER COPY

"For Switch Tech(Dyson Project) Only"

F
E
D
C
B
A

1 2 3 4 5 6 7 8

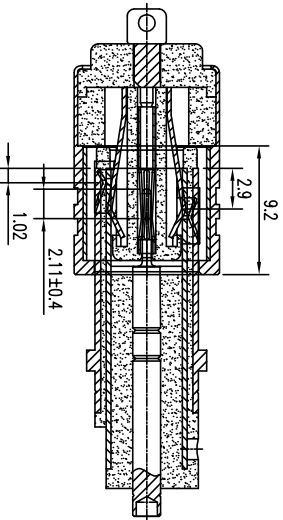
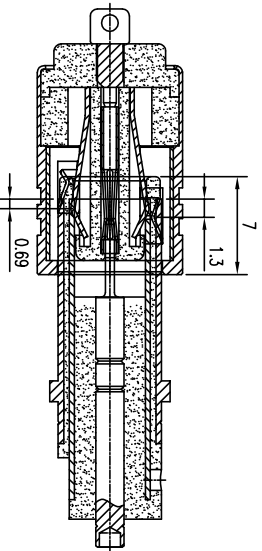
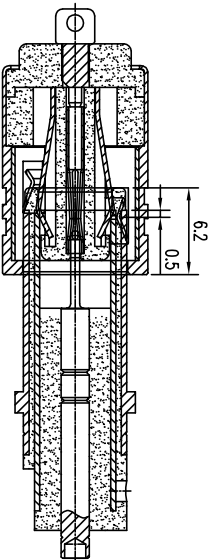
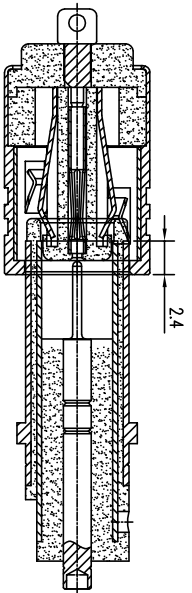
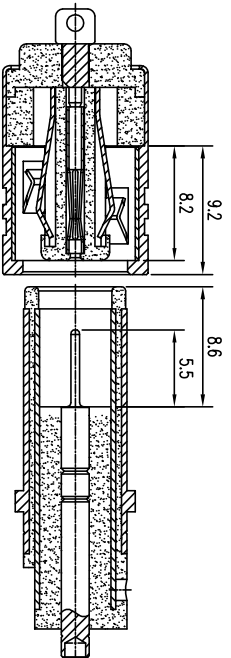
A
B
C
D
E
F

1 2 3 4 5 6 7 8

X# 信亨 RD-06-043-A

Singatron P/N: 2DP1505-100111F(DC plug without groove)

REV.	ECN NO.	OR DESCRIPTION	REVISED	DATE
A	PDR	RELEASE	Even	2017.11.07
B	ECN NO: L180005		Even	2018.04.20



"For Switch Test/Dyson Project Only"

NO	DESCRIPTION	QTY	MATERIAL	PLATING & COLOR
UNLESS OTHERWISE SPECIFIED TOLERANCES				
DECIMALS:	ANGLES:			
X :±0.5	X :±2°			
XX :±0.3	XX :±1'			
XXX :±0.2				
TITLE	DC POWER JACK			
DWN	BEN ZHUKAO	Singatron Enterprise Co., Ltd. 信音企業股份有限公司		
CHKD	SCALE 4:1	PART NO. 2DC1571-000111F		
APVD	SIZE: A3	UNIT: mm		
SHEET: 2 OF 2 REV: B				

CUSTOMER COPY