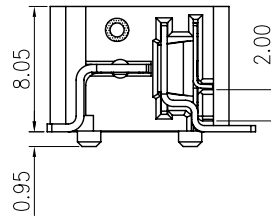
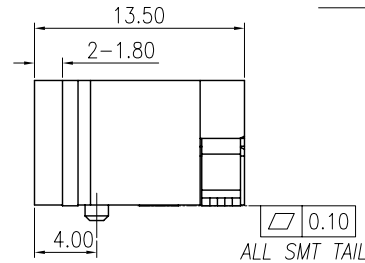
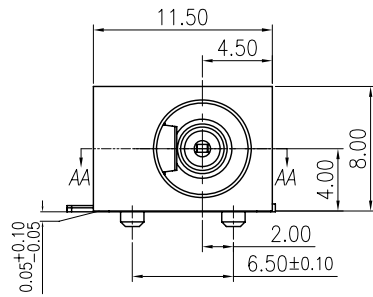
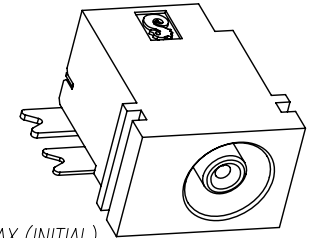
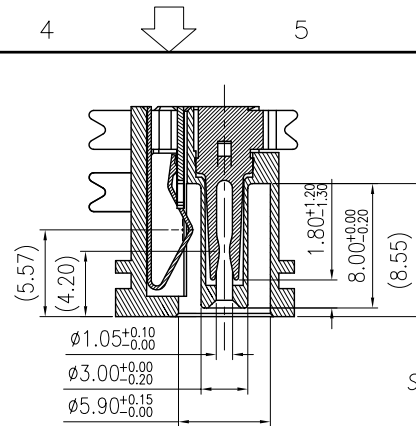
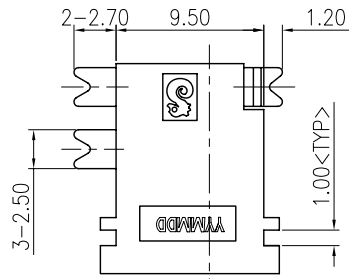


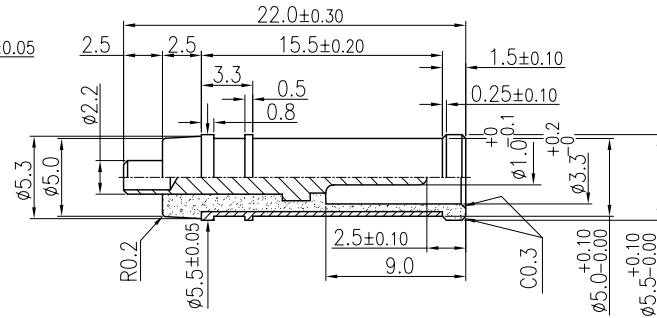
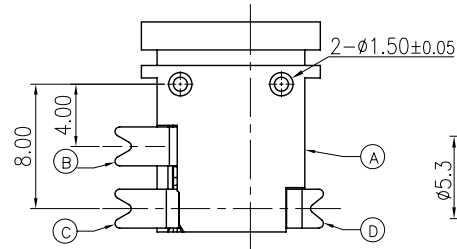
REV.	ECN NO OR DESCRIPTION	REVISED	DATE
A	PRODUCT RELEASE	JUNHUA	2009.02.13



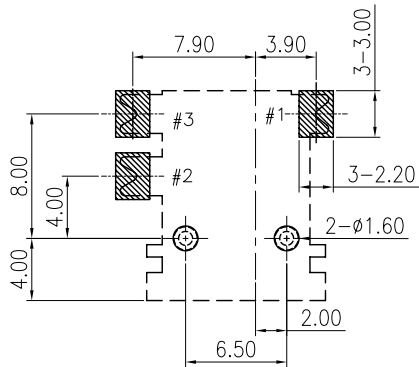
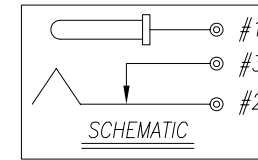
SPECIFICATIONS:

- ELECTRICAL CHARACTERISTICS:
  - RATING: 13.5V 2A
  - CONTACT RESISTANCE: 50mΩMAX.(INITIAL)
  - DIELECTRIC WITHSTANDING VOLTAGE: 500V AC FOR ONE MINUTE.
  - INSULATION RESISTANCE: 100MΩMIN. MEASURED BY 500 V DC
- MECHANICAL CHARACTERISTICS:
  - INSERTION FORCE : 0.3~3.0 KGF
  - WITHDRAWAL FORCE : 0.3~3.0 KGF
- LIFE TEST: 10000 CYCLES MIN.
- OTHER GENERAL SPEC. TO REFER "2DC2000 SERIES SPEC".
- TO CONFORM TO SINGATRON HAZARDOUS SUBSTANCE FREE SPEC.
- HALOGEN FREE PRODUCT IDENTIFICATION MARK:
- HALOGEN FREE PRODUCT IDENTIFICATION LABEL ON PACKAGING:
- FOR 260°C 10 SEC REFLOW SOLDERING LEAD-FREE PROCESS.
- PACKAGING IN Tape & Reel.
- PRINTED DATE CODE "YYMMDD" ON TOP OF CONNECTOR.

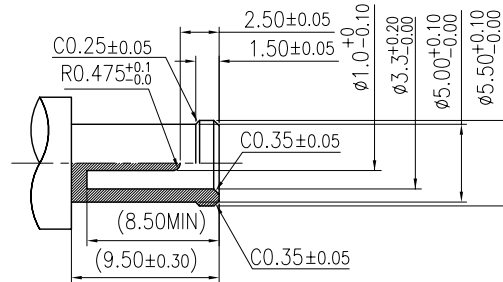
DD: DAY  
MM: MONTH  
YY: YEAR



MATE PLUG(2DP1510-000111)



RECOMMENDED P.C.B. LAYOUT  
TOP VIEW (TOLERANCE: ±0.05)



MATE PLUG  
(EIAJ RC-5320A STANDARD)

D	TERMINAL	1	COPPER ALLOY,T=0.50mm	Ag20u"MIN. Ni 60u"MIN.
C	SHUNT	1	COPPER ALLOY,T=0.40mm	Au1u"Min;Ni60u"Min
B	TIP	1	COPPER ALLOY,T=0.25mm	Ag20u"MIN. Ni 60u"MIN.
A	BODY	1	THEMOSETTING HIGH TEMP	BLACK COLOR
NO	DESCRIPTION	QTY	MATERIAL	PLATING & COLOR

UNLESS OTHERWISE SPECIFIED TOLERANCES

Singatron Enterprise Co., Ltd.  
信音企業股份有限公司

DECIMALS: ANGLES:  
X :±0.5 X :±2°  
X.X :±0.3 X.X :±1°  
X.XX :±0.2

TITLE	DC JACK SMT 4.0H TYPE		
DWN	JUNHUA	PART NO. 2DC2000-000111	
CHKD	MUYUAN	SCALE 3:1	UNIT: mm
APVD	ROBIN	SIZE: A4	SHEET: 10F1

CUSTOMER COPY