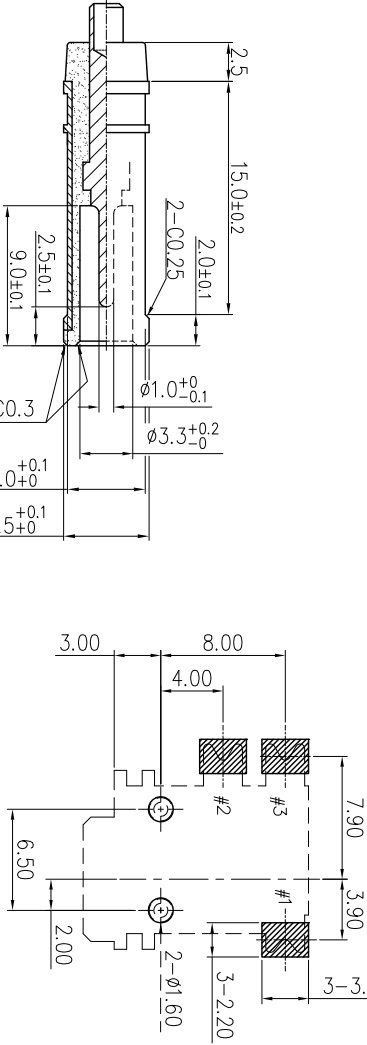
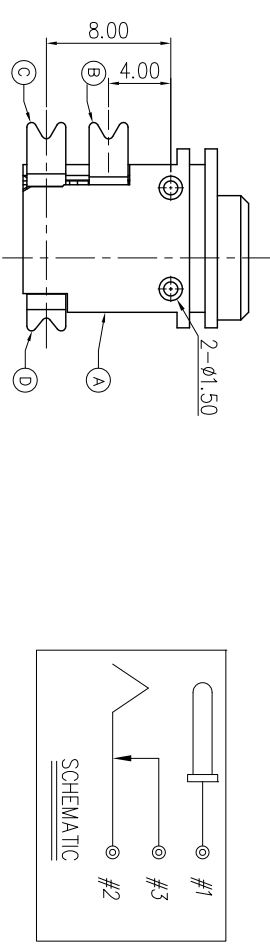
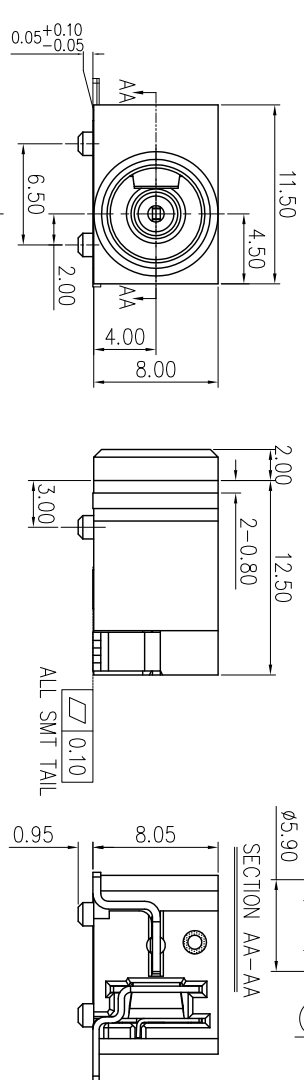
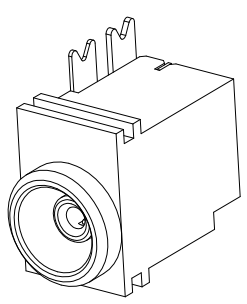


REV	ECN NO	OR DESCRIPTION	REVISED	DATE
A	PRODUCT RELEASE	JUNHUA	2009.02.13	
B	ECN NO.C100281	BILL	2010.07.19	



MATE PLUG(DP1510-000111)

RECOMMENDED P.C.B. LAYOUT  
TOP VIEW (TOLERANCE: ±0.05)

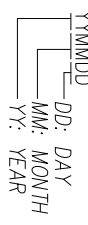
1. ELECTRICAL CHARACTERISTICS:

- 1-1. RATING: 13.5V 2A
- 1-2. CONTACT RESISTANCE: 50mΩMAX (INITIAL)
- 1-3. DIELECTRIC WITHSTANDING VOLTAGE: 500V AC FOR ONE MINUTE.
- 1-4. INSULATION RESISTANCE: 100MΩMIN. MEASURED BY 500 V DC

2. MECHANICAL CHARACTERISTICS:

- 2-1. INSERTION FORCE : 0.3~3.0 KGF
- 2-2. WITHDRAWAL FORCE : 0.3~3.0 KGF

- 3. LIFE TEST: 10000 CYCLES MIN.
- 4. OTHER GENERAL SPEC. TO REFER "2DC2000 SERIES SPEC".
- 5. TO CONFORM TO SINGATRON HAZARDOUS SUBSTANCE FREE SPEC.
- 6. HALOGEN FREE PRODUCT IDENTIFICATION MARK:
- 7. HALOGEN FREE PRODUCT IDENTIFICATION LABEL ON PACKAGING:
- 8. FOR 260°C 10 SEC REFLOW SOLDERING LEAD-FREE PROCESS.
- 9. PACKAGING IN TAPE & REEL.
- 10. PRINTED DATE CODE "YYMMDD" ON TOP OF CONNECTOR.



NO	DESCRIPTION	QTY	MATERIAL	PLATING & COLOR
D	TERMINAL	1	COPPER ALLOY,T=0.50mm	Ag20u "MIN. NI: 60u "MIN.
C	SHUNT	1	COPPER ALLOY,T=0.40mm	Au1u "MIN. Ni60u "Min
B	TIP	1	COPPER ALLOY,T=0.25mm	Ag20u "MIN. NI: 60u "MIN.
A	BODY	1	HIGH TEMP THERMOPLASTIC	BLACK COLOR

UNLESS OTHERWISE SPECIFIED TOLERANCES

Singatron Enterprise Co., Ltd.  
信亨企業股份有限公司

TITLE	DC JACK SMT 4.0H TYPE
DWG	BILL 10.07.20
CHKD	SCALE 3:1 UNIT: mm
APVD	SIZE: A4 SHEET: 10F1

DECIMALS: ANGLES: X : ±0.5 X : ±2° X X : ±0.3 X X : ±1° X XX : ±0.2

PART NO. 2DC2000-001111

CUSTOMER COPY