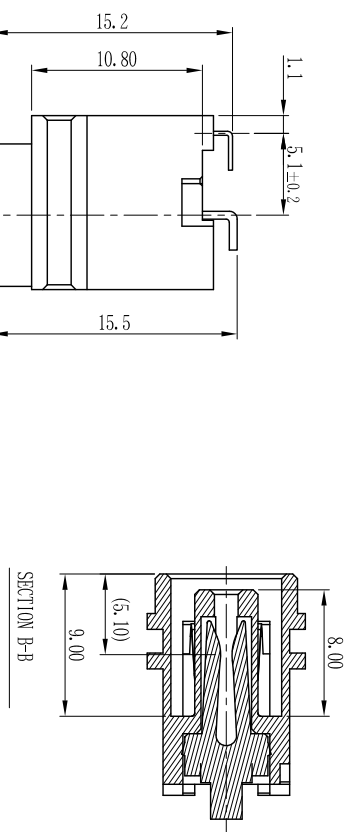
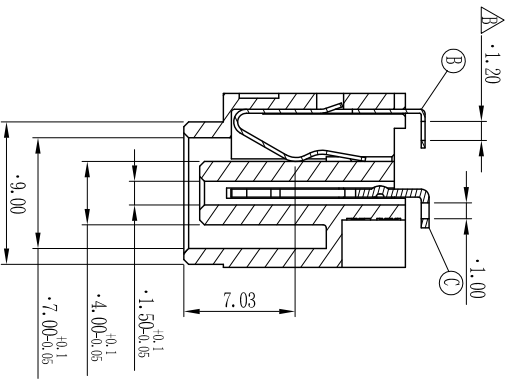
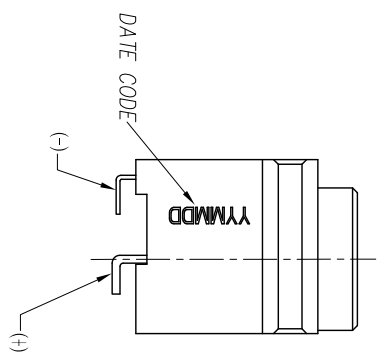
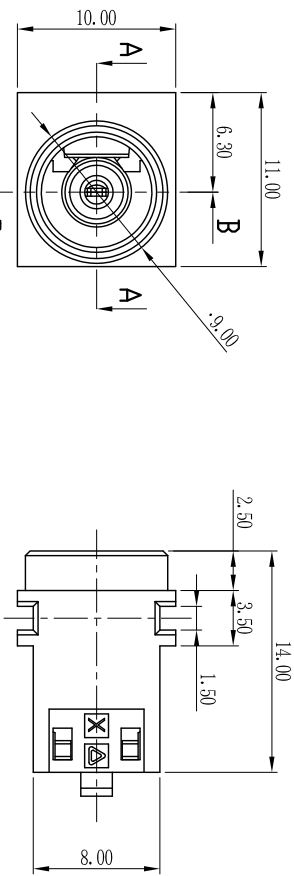


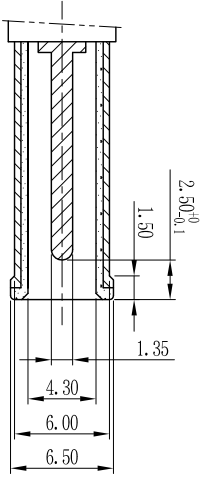
| REV. | ECN NO OR DESCRIPTION | REVISED | DATE |
|------|----------------------------|-----------|------------|
| A | PRODUCT RELEASE | BILL | 2010.06.28 |
| B | ECN NO: C100609 MODIFY DIM | LONGJIANG | 2010.12.24 |



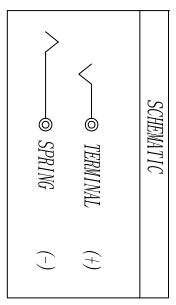
SECTION B-B



SECTION A-A

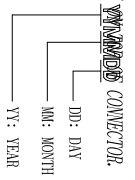


MATE PLUG Ø5.50
(TOLERANCE: ±0.05)



- SPECIFICATIONS:
- ELECTRICAL CHARACTERISTICS:
 - RATING: 20V 2A
 - CONTACT RESISTANCE: 30m MAX (INITIAL)
 - DIELECTRIC WITHSTANDING VOLTAGE: 500V AC FOR ONE MINUTE.
 - INSULATION RESISTANCE: 100M MIN. MEASURED BY 500 VDC
 - MECHANICAL CHARACTERISTICS:
 - INSERTION FORCE : 0.4 3.0 KGF
 - WITHDRAWAL FORCE : 0.4 3.0 KGF
 - LIFE TEST: 5,000 CYCLES MIN.
 - TO CONFORM TO SINGATRON HAZARDOUS SUBSTANCE FREE SPEC.
 - GREEN PRODUCT IDENTIFICATION MARK ON JACK:
 - GREEN PRODUCT IDENTIFICATION LABEL ON PACKAGING:
 - FOR HAND SOLDERING LEAD-FREE PROCESS.
 - PRINTED DATE CODE**

G.P. PASS



| NO | DESCRIPTION | QTY | MATERIAL | PLATING & COLOR |
|----|-------------|-----|--------------------|-----------------|
| C | TERMINAL | 1 | COPPER ALLOY 0.5T | Ag PLATING |
| B | TIP SPRING | 1 | COPPER ALLOY 0.25T | Ag PLATING |
| A | BODY | 1 | THERMOPLASTIC | BLACK COLOR |

UNLESS OTHERWISE SPECIFIED TOLERANCES

| DECIMALS: | ANGLES: |
|-------------|-----------|
| X : ±0.5 | X : ±2° |
| K.X : ±0.3 | K.X : ±1° |
| X.XX : ±0.2 | |

Singatron Enterprise Co., Ltd.
信亨企業股份有限公司

| TITLE | DC POWER JACK |
|-------|-------------------------|
| DWG | Company ID: 0103 |
| CHKD | PART NO. 2NC2001-000111 |
| APVD | SCALE 3:1 |
| | UNIT: mm |
| | SIZE: A3 |
| | SHEET: 1 OF 1 |
| | REV: B |

CUSTOMER COPY