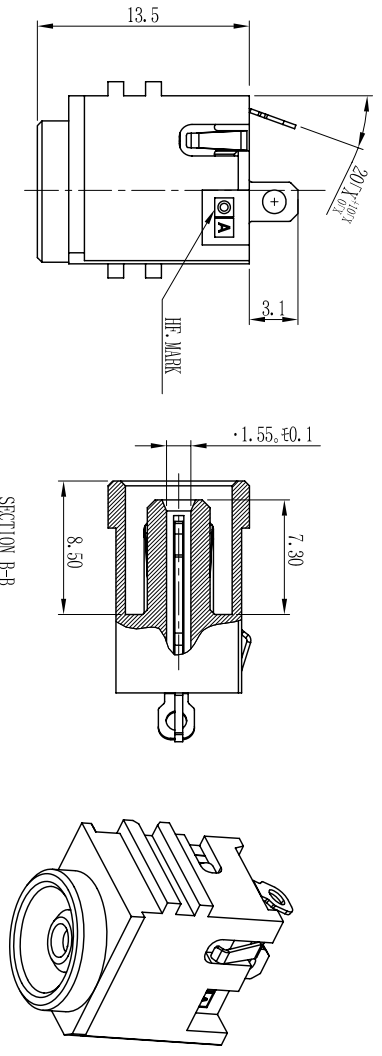
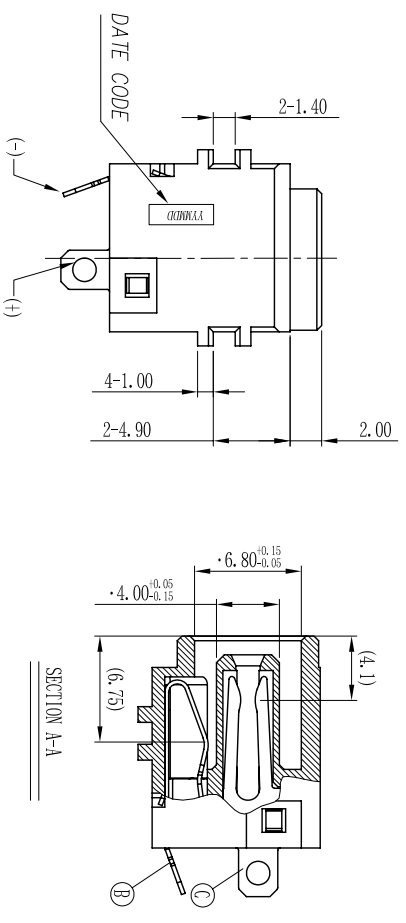
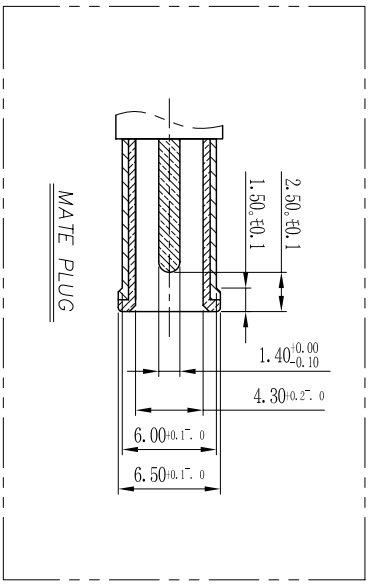
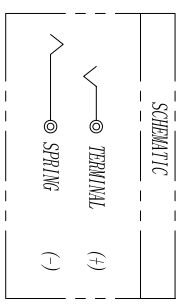
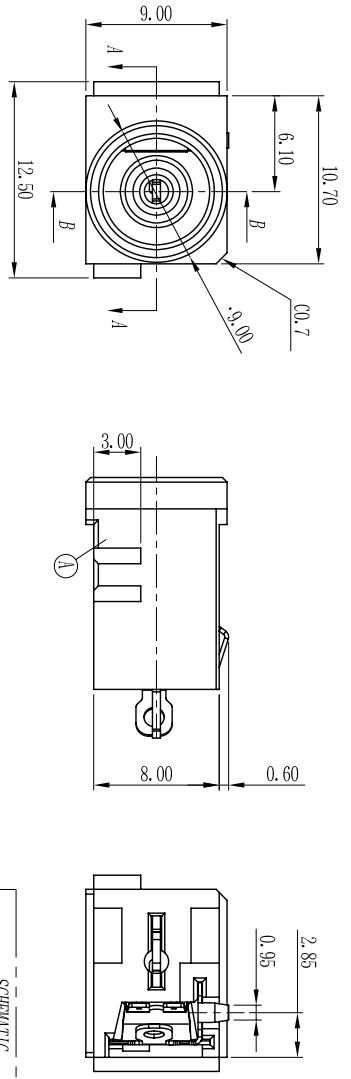


REV.	ECN NO OR DESCRIPTION	REVISED	DATE
A	PRODUCT RELEASE	Hagen, Hu	2012.05.08



- SPECIFICATIONS:
1. ELECTRICAL CHARACTERISTICS:
- 1-1. RATING: 20V 5A
 - 1-2. CONTACT RESISTANCE: 30m MAX. (INITIAL)
 - 1-3. DIELECTRIC WITHSTANDING VOLTAGE: 500V AC FOR ONE MINUTE.
 - 1-4. INSULATION RESISTANCE: 100M MIN. MEASURED BY 500 VDC
2. MECHANICAL CHARACTERISTICS:
- 2-1. INSERTION FORCE : 0.4~3.0 KGF
 - 2-2. WITHDRAWAL FORCE : 0.4~3.0 KGF
3. LIFE TEST: 5,000 CYCLES MIN.
4. OTHER GENERAL SPEC. TO REFER "20X2001 SPRINGS-SPEC".
5. TO CONFORM TO SINGATRON HAZARDOUS SUBSTANCE FREE SPEC.
6. HALOGEN FREE PRODUCT IDENTIFICATION MARK ON PRODUCT:
7. HALOGEN FREE PRODUCT IDENTIFICATION LABEL ON PACKAGING:
8. FOR HAND SOLDERING LEAD-FREE PROCESS.



NO	DESCRIPTION	QTY	MATERIAL	PLATING & COLOR
C	TERMINAL	1	COPPER ALLOY 0.5T	SILVER PLATING
B	TIP SPRING	1	COPPER ALLOY 0.25T	SILVER PLATING
A	BODY	1	THERMOPLASTIC	BLACK

UNLESS OTHERWISE SPECIFIED TOLERANCES

Singatron Enterprise Co., Ltd.

DC POWER JACK	
DWG NO.	20X2001-006111F
SCALE	3:1
SIZE	A3
CUSTOMER COPY	

