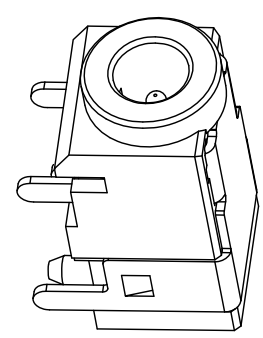
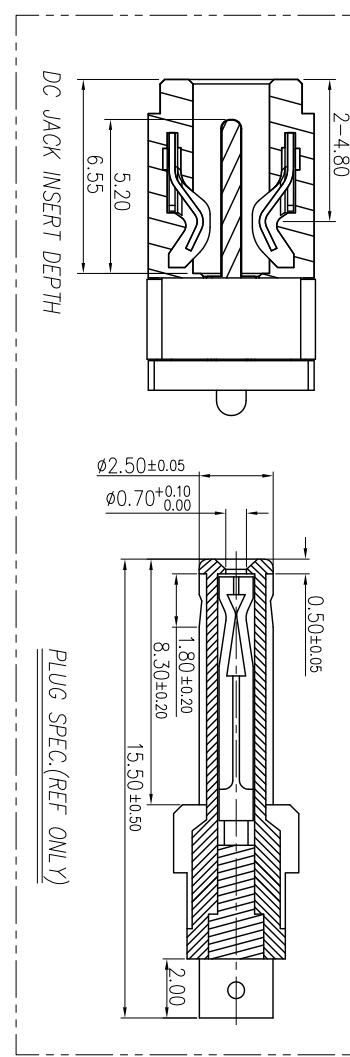
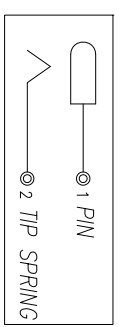
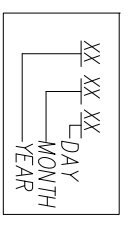
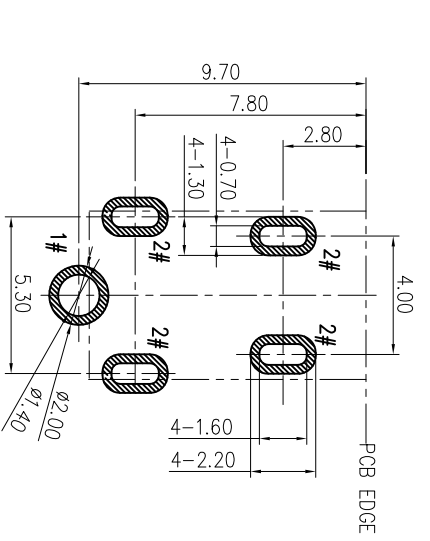
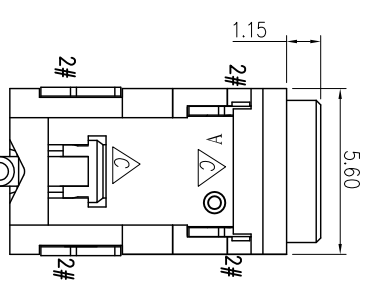
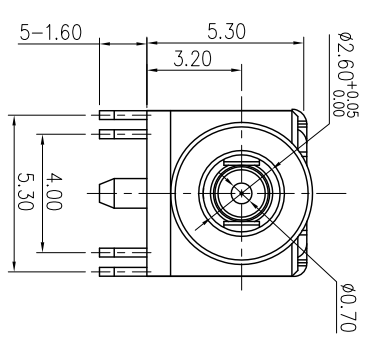
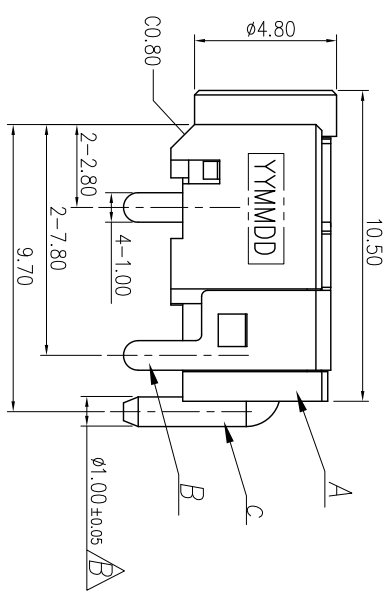


REV.	ECN NO. OR DESCRIPTION	REVISED	DATE
A	PRODUCT RELEASE	Allen-DU	05/13/10
B	ECN NO: C100391 MODIFY DIMENSION	LONGJIANG	2010.09.21
C	ECN C140043 UPDATE DRAWING	ZLS	2014.7.4



**SPECIFICATIONS:**

- ELECTRICAL CHARACTERISTICS:
  - RATING: 20V, 3A Min.
  - CONTACT RESISTANCE: 30 MILLIOHMS Max. FOR INITIAL, 50 MILLIOHMS Max. AFTER 5000 CYCLES.
  - INSULATION RESISTANCE: 100 MEGAOHMS Min. BY 500V DC AFTER 1 MINUTE.
  - DIELECTRIC WITHSTANDING VOLTAGE: 500V RMS AFTER 1 MINUTE.
- MECHANICAL CHARACTERISTICS:
  - INSERTION FORCE : 0.5~2.0 KGf
  - WITHDRAWAL FORCE : 0.4~1.5 KGf
- LIFE TEST: 5,000 CYCLES MIN.
- OTHER GENERAL SPEC. TO REFER "2DC2002 SERIES SPEC".
- TO CONFORM TO SINGATRON HAZARDOUS SUBSTANCE FREE SPEC.
- HALOGEN FREE PRODUCT IDENTIFICATION MARK ON PRODUCT:
- HALOGEN FREE PRODUCT IDENTIFICATION LABEL ON PACKAGING:



NO	DESCRIPTION	QTY	MATERIAL	PLATING & COLOR
C	PIN	1	COPPER ALLOY	SOLD-PLATED AT ON CONTACT AREA
B	SPRING	1	COPPER ALLOY T:0.30mm	50u" Ag -PLATED
A	HOUSING	1	HIGH TEMP THERMOPLASTIC UL94V0	BLACK

UNLESS OTHERWISE SPECIFIED TOLERANCES

Singatron Enterprise Co., Ltd.  
信音企業股份有限公司

TITLE: DC POWER JACK

DECIMALS:	ANGLES:
X : ±0.5	X : ±2°
X.X : ±0.3	X.X : ±1'
X.XX : ±0.2	

DWN	ZLS	14.7/11	PART NO.	2DC2002-000111
CHKD	Billy	14.7/11	SCALE	6:1
APVD	ZLS	14.7/11	SIZE	A3
			SHEET	1 OF 1
			REV.	C

CUSTOMER COPY