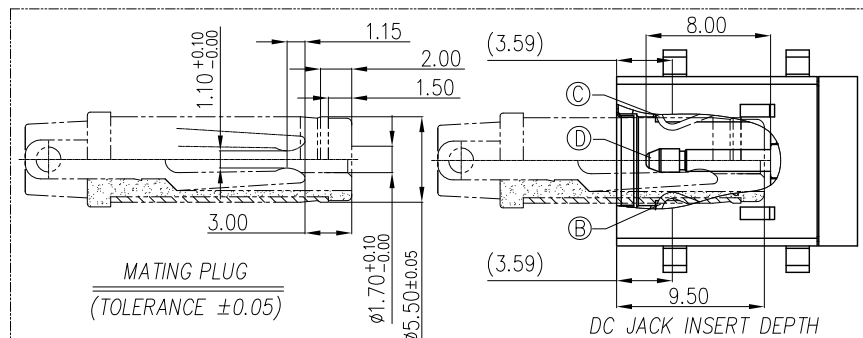
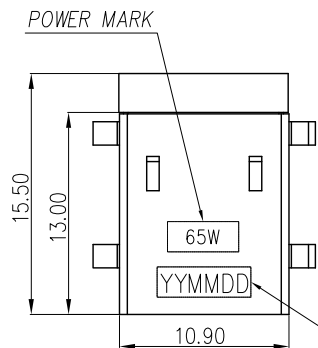
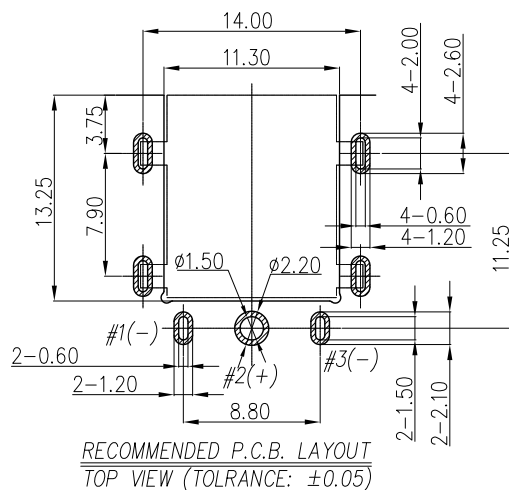
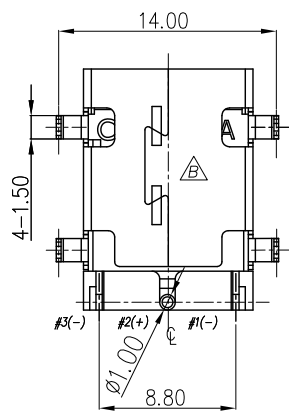
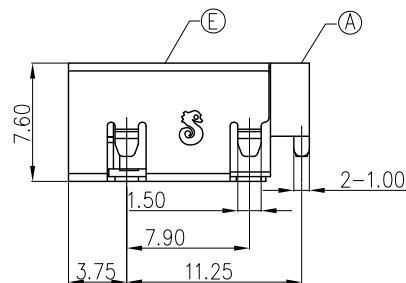
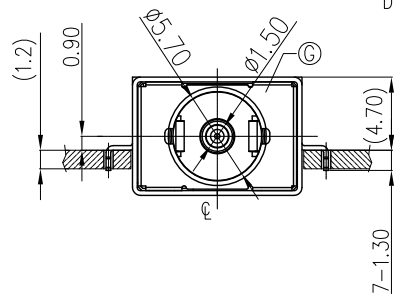


REV.	ECN NO OR DESCRIPTION	REVISED	DATE
A	PRODUCT RELEASE	Longjiang	2012.08.01
B	ECN NO: C130233 UPDATE DRAWING	TFY	2014.1.9



DATE CODE  
YY: YEAR  
MM: MONTH  
DD: DATE



SPECIFICATIONS:

- ELECTRICAL CHARACTERISTICS:
  - RATING: 20V 7A
  - CONTACT RESISTANCE: 10mΩ MAX.(INITIAL)
  - DIELECTRIC WITHSTANDING VOLTAGE: 500V AC FOR ONE MINUTE.
  - INSULATION RESISTANCE: 100MΩ MIN. MEASURED BY 500 VDC
- LIFE TEST: 5,000 CYCLES MIN.
- OTHER GENERAL SPEC. TO REFER "2DC2003-000111 SPEC".
- TO CONFORM TO SINGATRON HAZARDOUS SUBSTANCE FREE SPEC.
- HALOGEN FREE PRODUCT IDENTIFICATION MARK ON PRODUCT: Ⓢ
- HALOGEN FREE PRODUCT IDENTIFICATION LABEL ON PACKAGING: Ⓢ
- FOR REFLOW SOLDERING LEAD FREE PROCESS.
- PACKAGING: TAPE & REEL.

SCHEMATIC

- 1# (-) SPRING
- 2# (+) PIN
- 3# (-) SPRING

G	GROUND	1	STAINLESS	N/A
F	STOPPER	1	HIGH TEMP. THERMOPLASTIC	BLACK
E	SHELL	1	COPPER ALLOY	NICKEL PLATING
D	PIN	1	BRASS	GOLD FLSAH
C	SPRING B	1	COPPER ALLOY	Gold Flash on contact area and Bright Tin on solder tail,
B	SPRING A	1	COPPER ALLOY	All over Nickel plated
A	HOUSING	1	HIGH TEMP. THERMOPLASTIC	YELLOW(123C)
NO	DESCRIPTION	QTY	MATERIAL	PLATING & COLOR

UNLESS OTHERWISE SPECIFIED TOLERANCES

Singatron Enterprise Co., Ltd.  
信音企業股份有限公司

DECIMALS:	ANGLES:	TITLE	DC POWER JACK	
X : ±0.5	X : ±2°	DWN	TFY 14/1/16	PART NO. 2DC2003-001121F
XX : ±0.3	XX : ±1°	CHKD	ZJZ 14/1/16	SCALE 3:1 UNIT: mm
XXX : ±0.2		APVD	Liao 14/1/16	SIZE: A3 SHEET: 1 OF 1 REV: B

CUSTOMER COPY