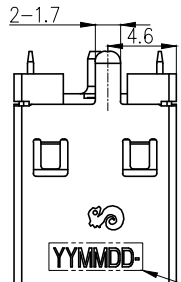
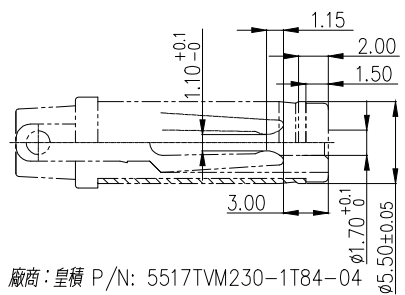


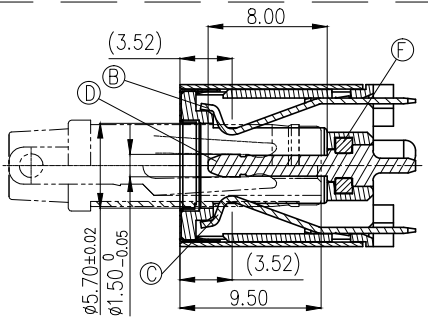
REV.	ECN NO OR DESCRIPTION	REVISED	DATE
A	PDR NO.T160224-7A	Yuren	2017.5.26



DATE CODE  
YY: YEAR  
MM: MONTH  
DD: DATE



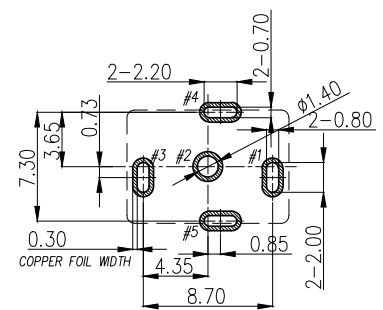
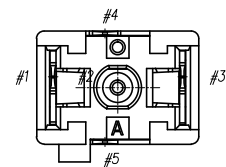
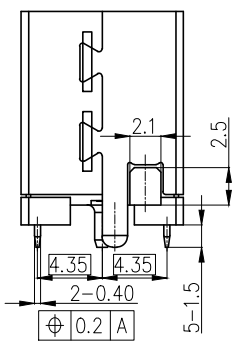
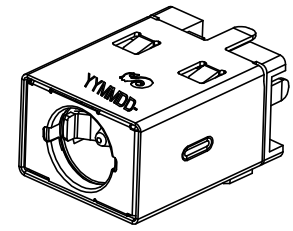
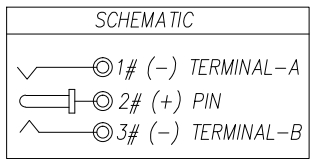
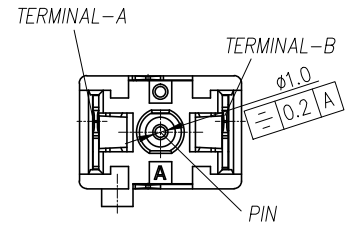
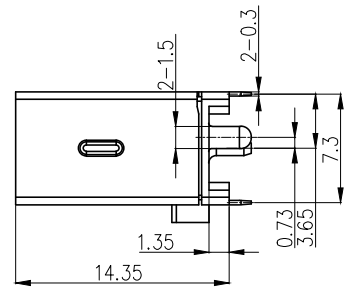
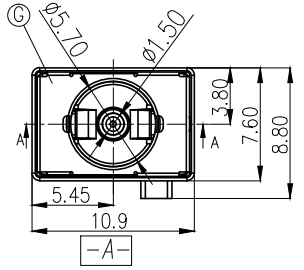
廠商: 皇橫 P/N: 5517TVM230-1T84-04  
MATING PLUG  
(TOLERANCE ±0.05)



DC JACK INSERT DEPTH

SPECIFICATIONS:

- ELECTRICAL CHARACTERISTICS:
  - RATING: 20V 7A
  - CONTACT RESISTANCE: 10mΩ MAX.(INITIAL)
  - DIELECTRIC WITHSTANDING VOLTAGE: 500V AC FOR ONE MINUTE.
  - INSULATION RESISTANCE: 100MΩ MIN. MEASURED BY 500 VDC
- MECHANICAL SPEC:
  - INSERTION FORCE: INITIAL 1.2KgF Min.  
AFTER LIFE TEST 0.9KgF Min.
  - WITHDRAWAL FORCE: INITIAL 0.7KgF Min.  
AFTER LIFE TEST 0.5KgF Min.
- LIFE TEST: 5,000 CYCLES MIN.
- OTHER GENERAL SPEC. TO REFER "2DC2003-007111F SPEC".
- TO CONFORM TO SINGATRON HAZARDOUS SUBSTANCE FREE SPEC.
- HALOGEN FREE PRODUCT IDENTIFICATION MARK ON PRODUCT:
- HALOGEN FREE PRODUCT IDENTIFICATION LABEL ON PACKAGING:
- FOR REFLOW SOLDERING LEAD FREE PROCESS.
- PACKAGING: TAPE & REEL.



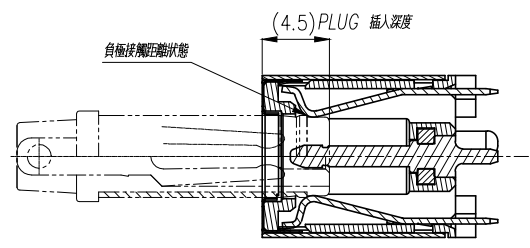
RECOMMENDED P.C.B. LAYOUT  
TOP VIEW (TOLRANCE: ±0.05)

G	GROUND	1	STAINLESS 0.1T	N/A
F	STOPPER	1	HIGH TEMP. THERMOPLASTIC UL 94V-0	BLACK
E	SHELL	1	COPPER ALLOY 0.3T	Ni 60u" Min.
D	PIN	1	COPPER ALLOY	GOLD FLASH,ALL OVER Ni 50u" Min.
C	TERMINAL-B	1	PHOSPHOR BRONZE 0.4T	GOLD FLASH ON CONTAC AREA; MATTE TIN 80u" ON SOLDER TAIL;
B	TERMINAL-A	1	PHOSPHOR BRONZE 0.4T	ALL OVER Ni 50u" Min.
A	BODY	1	HIGH TEMP. THERMOPLASTIC UL 94V-0	BLACK
NO	DESCRIPTION	QTY	MATERIAL	PLATING & COLOR

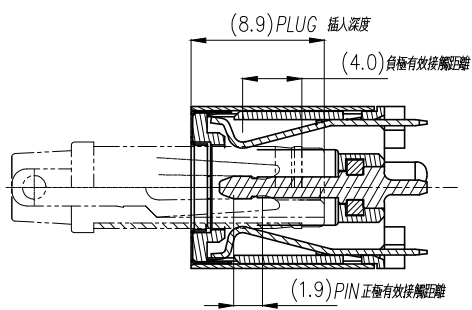
UNLESS OTHERWISE SPECIFED TOLERANCES		Singatron Enterprise Co., Ltd. 信音企業股份有限公司	
DECIMALS:	ANGLES:	TITLE	
X :±0.5	X :±2°	DC POWER JACK	
X.X :±0.3	X.X :±1°	DWN	YUREN PART NO. 2DC2003-007111F
X.XX :±0.2		CHKD	CERRY SCALE 1:1 UNIT: mm
		APVD	LIAO SIZE: A3 SHEET: 10F2 REV: A
CUSTOMER COPY			

REV.	ECN NO OR DESCRIPTION	REVISED	DATE
A	PDR NO.T160224-7A	Yuren	2017.5.26

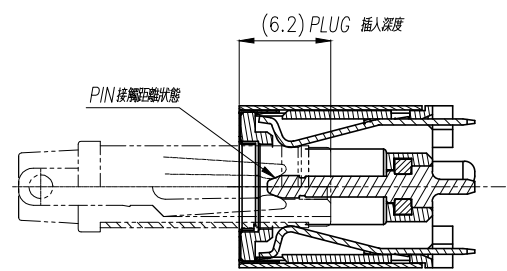
1. NEGATIVE CONTACT FIRST



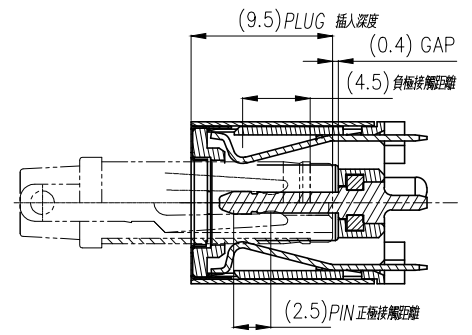
3. LOCK STATUS




2. POSITIVE CONTACT



4. INSERTED INTO THE POSITIONING STATUS



NO	DESCRIPTION	QTY	MATERIAL	PLATING & COLOR
UNLESS OTHERWISE SPECIFIED TOLERANCES		 Singatron Enterprise Co., Ltd. 信音企業股份有限公司		
DECIMALS: ANGLES:		TITLE: DC POWER JACK		
X : ±0.5	X : ±2°	DWN	YUREN	PART NO. 2DC2003-007111F
X.X : ±0.3	X.X : ±1°	CHKD	CERRY	SCALE 1:1 UNIT: mm
X.XX : ±0.2		APVD	LIAO	SIZE: A3 SHEET: 20F2 REV: A
CUSTOMER COPY				