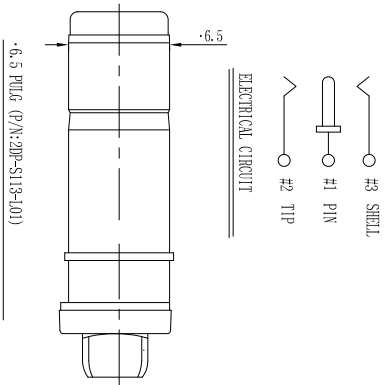
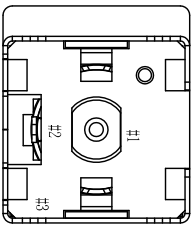
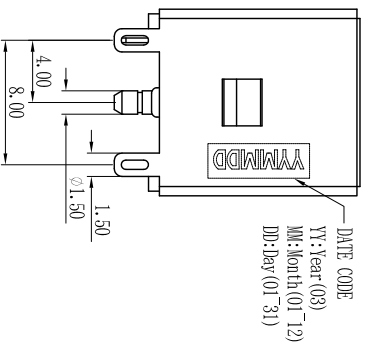
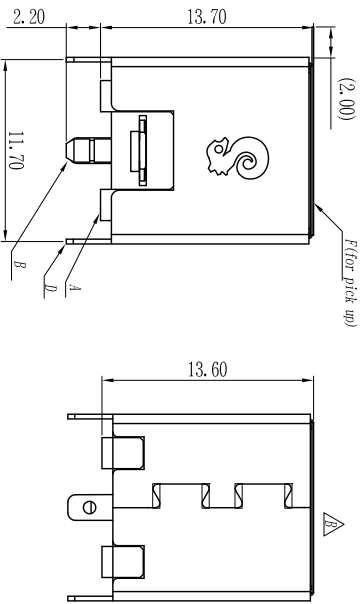
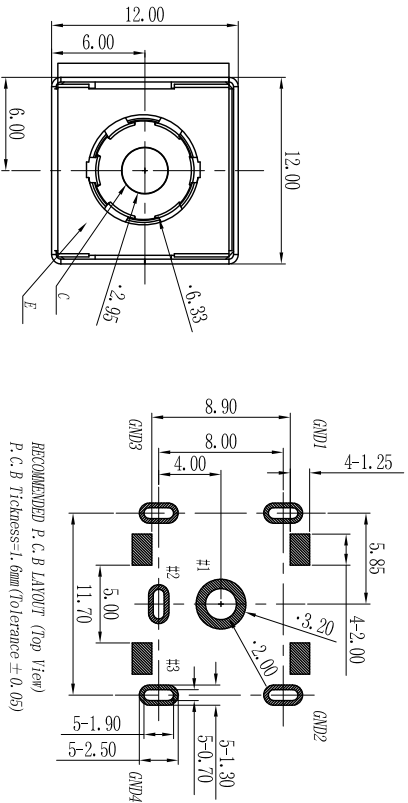


REV.	ECN NO OR DESCRIPTION	REVISED	DATE
A	Product Release	ALLEN	2010.07.08
B	ECN: C110301Modify shell	Long Jiang	2011.08.26



SPECIFICATIONS:

- RATING: DC 20V 10A 43uF
- INSERTION FORCE: 1.0N±2.5kg
- WITHDRAWAL FORCE: 0.5N±2.5kg
- INSULATION RESISTANCE BETWEEN ANY ADJACENT TERMINALS SHALL NOT BE LESS THAN 100 MEGOHMS BY 500 VOLTS MEGGER.
- JACK SHALL WITHSTAND 250 VOLTS BETWEEN ANY ADJACENT TERMINAL FOR ONE MINUTE.
- CONTACT RESISTANCE SHALL NOT EXCEED 10mΩ
- JACK SHALL WITHSTAND 5,000 CYCLES OF INSERTION AND WITHDRAWAL WITH TESTING PLUG, AND CONTACT RESISTANCE SHALL NOT EXCEED 30mΩ
- MEASURING CONDITION:  
TEMPERATURE: FROM 5° C TO 35° C  
RELATIVE HUMIDITY: FROM 40% TO 85%
- ENVIRONMENTAL SPECIFICATIONS:  
8.1 HUMIDITY TEST: HUMIDITY 90% TO 95% TEMPERATURE 40° C ±2° C FOR 96 HOURS  
8.2 HEAT TEST: TEMPERATURE 70° C ± 2° C (HUMIDITY BELOW 50%) FOR 96 HOURS  
8.3 COLD TEST: TEMPERATURE -40° C ± 2° C FOR 96 HOURS.
- AGING PLUG : SINGATRON'S P/N : 20P-S113-101(P/100 SET)
- AGING PLUG : SINGATRON'S P/N : 20P-S113-101(P/100 SET)
- PACKING: TAPE & REEL
- TO CONFORM TO THE SINGATRON HSF SPECIFICATION.
- HALOGEN FREE PRODUCT IDENTIFICATION MARK ON PRODUCT:
- GREEN PRODUCT IDENTIFICATION LABEL ON PACKAGING:
- FOR LEAD-FREE PROCESS.
- SOLDER ABILITY AND MAX. SOLDER TEMPERATURE ACCORDING ICP /IEBC J-STD-020C.

NO	DESCRIPTION	QTY	MATERIAL	PLATING & COLOR
F	WELAR	1	INSULATION FILM 0.10T	TRANSPARENT
E	GROUNDING	1	STAINLESS 0.1t	
D	SHELL	1	SPCC-SU 0.3t	Sn BRIGHT 60%Ni/15%Cu/25%Zn COATING
C	PIN	1	BRASS BAR	AU15u"MIN. Ni20u"MIN
B	SPRING	1	COPPER ALLOY 0.3t	AU15u"MIN. Ni20u"MIN
A	BODY	1	HIGH TEMP. THERMOPLASTIC UL 94V-0	BLACK COLOR

UNLESS OTHERWISE SPECIFIED TOLERANCES

Singatron Enterprise Co., Ltd.  
信音企業股份有限公司

DECIMALS: ANGLES:

DC POWER JACK

X : ±0.5 X : ±±2°  
X.X : ±0.3 X.X : ±±1°  
X.XX : ±0.2

DC POWER JACK  
PART NO. 20C2005-000111  
SCALE 4:1 UNIT: mm  
SIZE: A3 SHEET: 10/1  
REV: B

CUSTOMER COPY