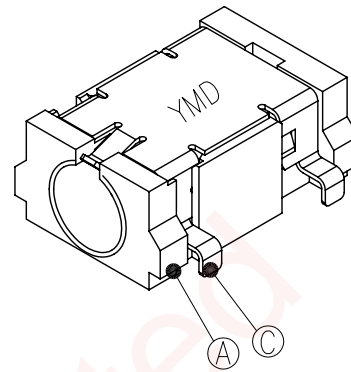
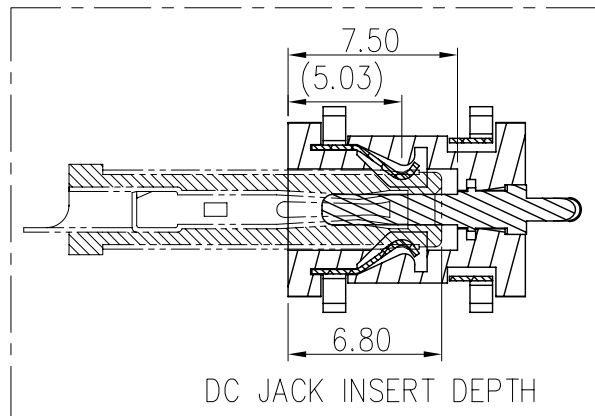
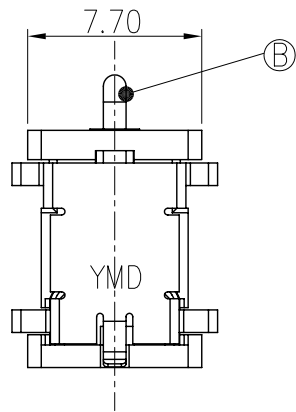
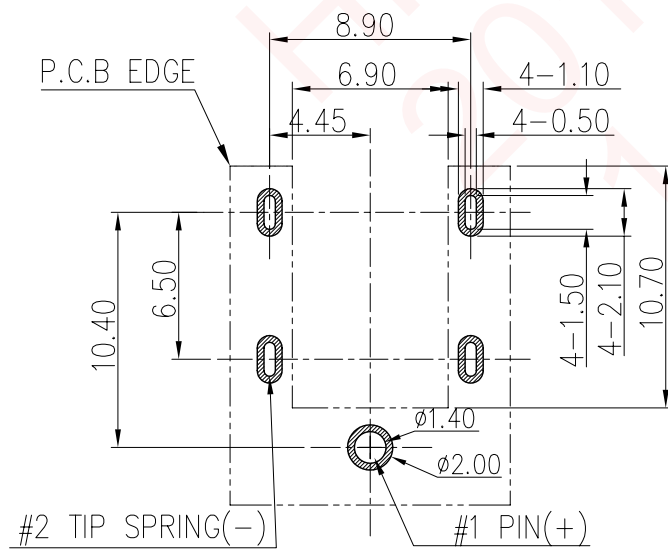
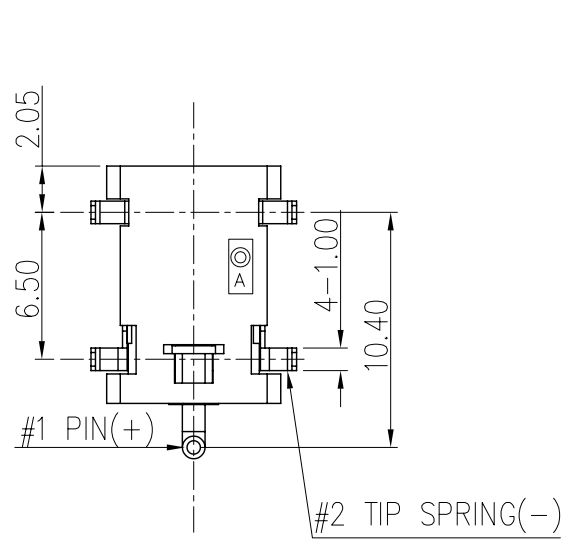
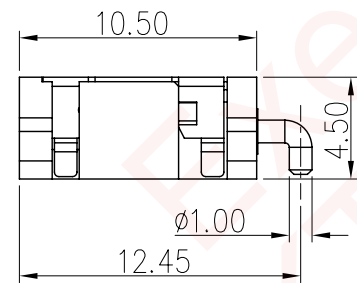
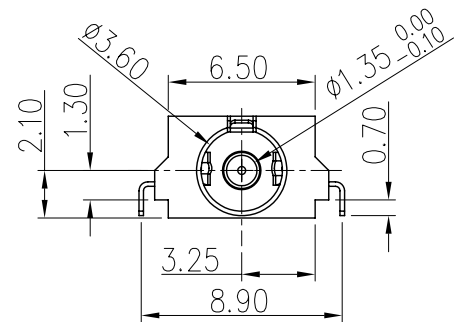
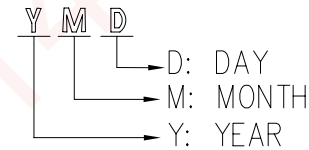


|      |                       |         |            |
|------|-----------------------|---------|------------|
| REV. | ECN NO OR DESCRIPTION | REVISED | DATE       |
| A    | PRODUCTED RELEASED    | Junkang | 2015.03.23 |



**SPECIFICATIONS:**

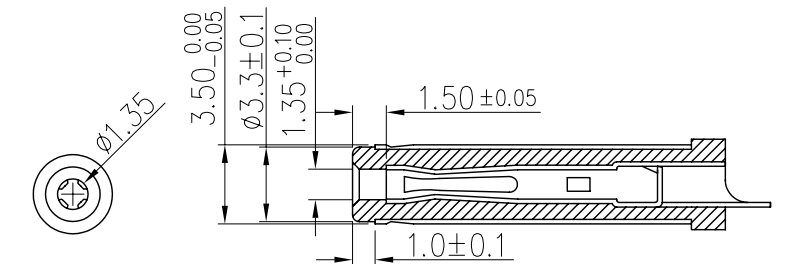
- ELECTRICAL CHARACTERISTICS:
  - RATING: 20V, 3A Min.
  - CONTACT RESISTANCE: 30 MILLIOHMS Max. FOR INITIAL, 50 MILLIOHMS Max. AFTER 5000 CYCLES.
  - INSULATION RESISTANCE: 100 MEGAOHMS Min. BY 500V DC AFTER 1 MINUTE.
  - DIELECTRIC WITHSTANDING VOLTAGE: 500V RMS AFTER 1 MINUTE.
- MECHANICAL CHARACTERISTICS:
  - INSERTION FORCE : 0.3~2.5 KGF
  - WITHDRAWAL FORCE : 0.3~2.5 KGF
- LIFE TEST: 5,000 CYCLES MIN.
- OTHER GENERAL SPEC. TO REFER "2DC2008-000111\_SPEC".
- TO CONFORM TO SINGATRON HAZARDOUS SUBSTANCE FREE SPEC.
- HALOGEN FREE PRODUCT IDENTIFICATION MARK ON PRODUCT:
- HALOGEN FREE PRODUCT IDENTIFICATION LABEL ON PACKAGING:
- FOR REFLOW SOLDERING LEAD-FREE PROCESS.
- PACKAGING: TAPE & REEL
- PRINTED DATE CODE "YMD" ON TOP OF CONNECTOR.



**RECOMMENDED PCB LAYOUT**  
(TOP VIEW)(TOL.: ±0.05)



**ELECTRICAL CIRCUIT**



**MATE PLUG**

|                                       |             |  |                               |                             |
|---------------------------------------|-------------|--|-------------------------------|-----------------------------|
| C                                     | SHELL       | 1  | COPPER ALLOY                  | 鍍金(GOLD FLASF)              |
| B                                     | PIN         | 1  | BRASS                         | 鍍金(GOLD FLASF)              |
| A                                     | BODY        | 1  | HIGH-THERMAL PLASTIC ,UL94V-0 | 橘色(ORANGE COLOR)(151C)      |
| NO                                    | DESCRIPTION | QTY  | MATERIAL                      | PLATING & COLOR             |
| UNLESS OTHERWISE SPECIFIED TOLERANCES |             | Singatron Enterprise Co., Ltd.<br>信音企業股份有限公司 |                               |                             |
| DECIMALS:                             | ANGLES:     | TITLE  | DC JACK                       |                             |
| X : ±0.5                              | X : ±2°     | DWN  | Junkang-Zhong 15/4/16         | PART NO. 2DC2008-001121F    |
| X.X : ±0.3                            | X.X : ±1°   | CHKD   | Zhijun-Wei 15/4/16            | SCALE 3:1 UNIT: mm          |
| X.XX : ±0.2                           |             | APVD   | Max-Mai 15/4/16               | SIZE: A3 SHEET: 10F1 REV: A |

CUSTOMER COPY 5/04/17

11:53:57