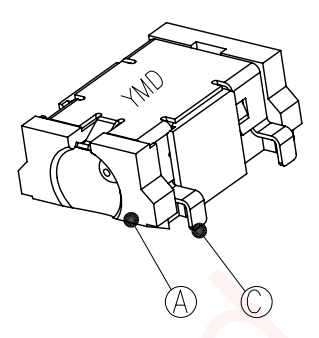
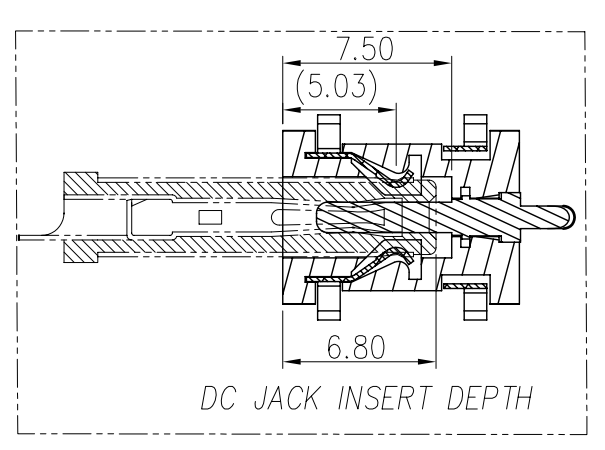
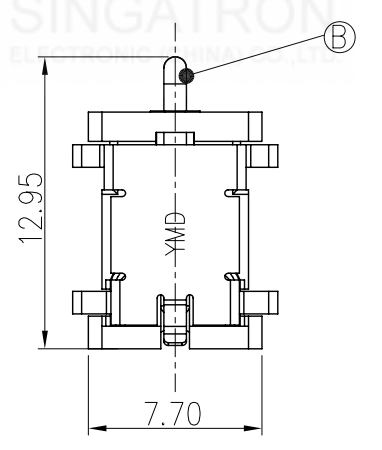
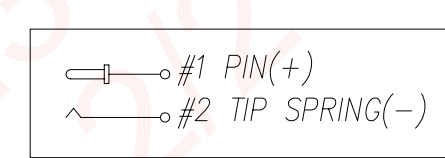
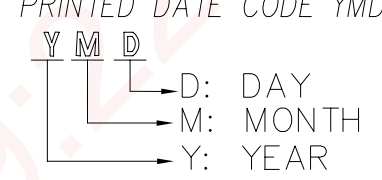
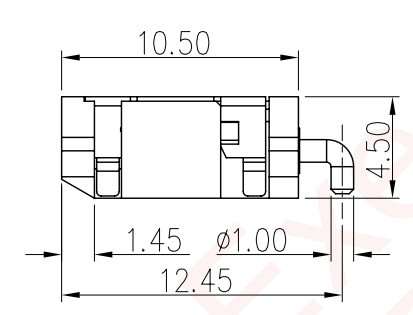
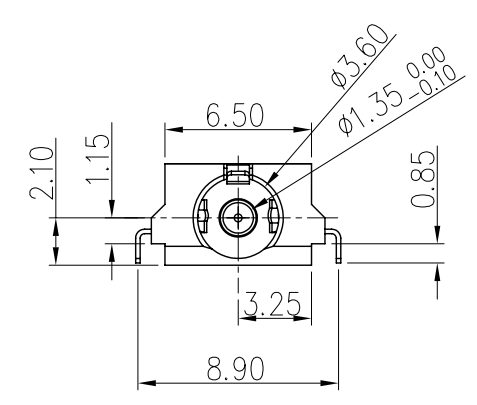


REV.	ECN NO OR DESCRIPTION	REVISED	DATE
A	PRODUCT RELEASE	CHEN	2015.05.22

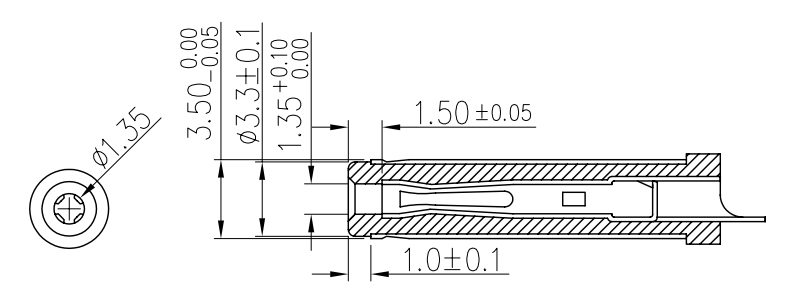


**SPECIFICATIONS:**

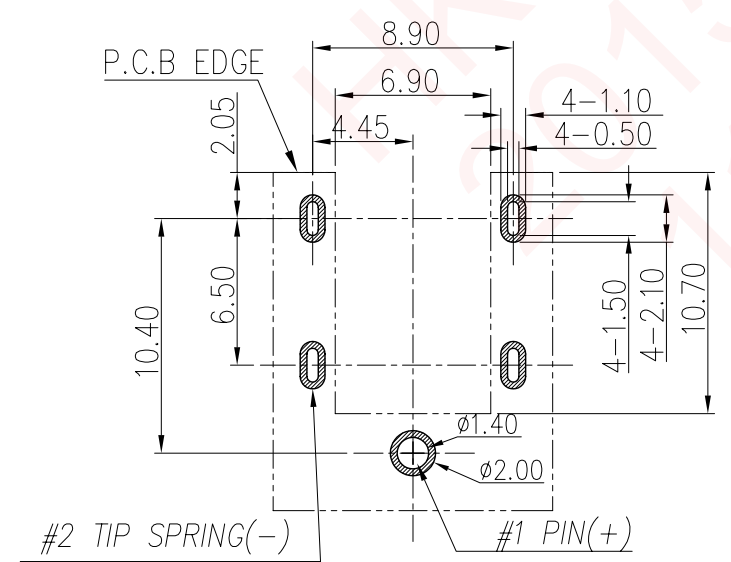
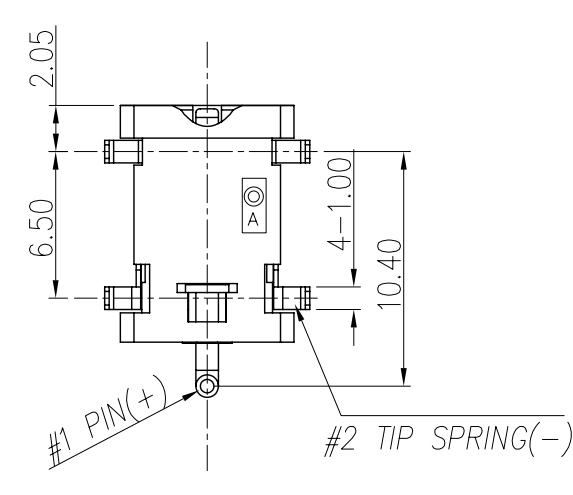
- ELECTRICAL CHARACTERISTICS:**
  - 1-1. RATING: 20V, 3A Min.
  - 1-2. CONTACT RESISTANCE: 30 MILLIOHMS Max. FOR INITIAL, 50 MILLIOHMS Max. AFTER 5000 CYCLES.
  - 1-3. INSULATION RESISTANCE: 100 MEGAOHMS Min. BY 500V DC AFTER 1 MINUTE.
  - 1-4. DIELECTRIC WITHSTANDING VOLTAGE: 500V RMS AFTER 1 MINUTE.
- MECHANICAL CHARACTERISTICS:**
  - 2-1. INSERTION FORCE : 0.3~2.5 KGF
  - 2-2. WITHDRAWAL FORCE : 0.3~2.5 KGF
- LIFE TEST: 5,000 CYCLES MIN.**
- OTHER GENERAL SPEC. TO REFER "2DC2008-000111 SPEC".**
- TO CONFORM TO SINGATRON HAZARDOUS SUBSTANCE FREE SPEC.**
- HALOGEN FREE PRODUCT IDENTIFICATION MARK ON PRODUCT:**
- HALOGEN FREE PRODUCT IDENTIFICATION LABEL ON PACKAGING:**
- FOR REFLOW SOLDERING LEAD-FREE PROCESS.**
- PACKAGING: TAPE & REEL**
- PRINTED DATE CODE "YMD" ON TOP OF CONNECTOR.**



ELECTRICAL CIRCUIT



MATE PLUG



RECOMMENDED PCB LAYOUT  
(TOP VIEW)(TOL.:±0.05)

C	SHELL	1	COPPER ALLOY	GOLD FLASK
B	PIN	1	BRASS	GOLD FLASK
A	BODY	1	HIGH-THERMAL PLASTIC, UL94V-0	研發部(CS) BLACK COLOR
NO	DESCRIPTION	QTY	MATERIAL	PLATING & COLOR

UNLESS OTHERWISE SPECIFIED TOLERANCES		Singatron Enterprise Co., Ltd. 信音企業股份有限公司		
DECIMALS:	ANGLES:	TITLE	DC POWER JACK	
X : ±0.5	X : ±2°	DWN	Chen-Cao 15/6/04	PART NO. 2DC2008-006111F
X.X : ±0.3	X.X : ±1°	CHKD	Zjx-Zhou 15/6/04	SCALE 3:1 UNIT: mm
X.XX : ±0.2		APVD	Max-Mai 15/6/04	SIZE: A3 SHEET: 1 OF 1 REV: A
CUSTOMER COPY 06/03				