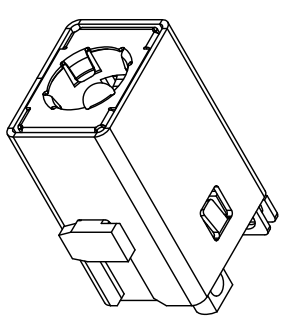


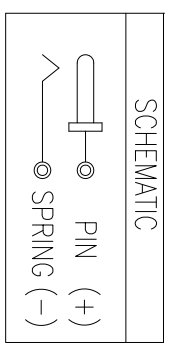
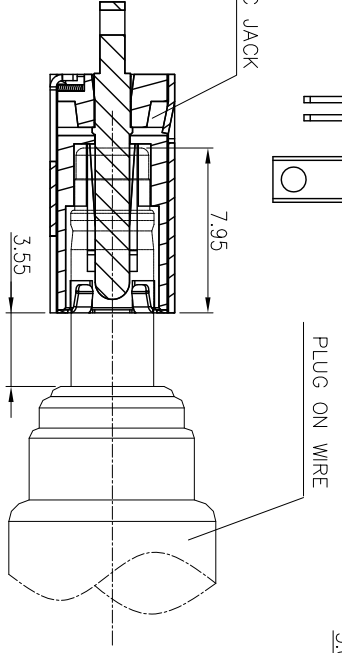
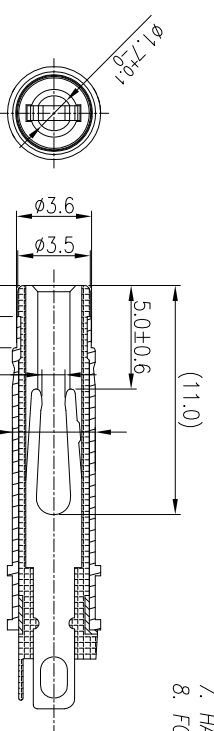
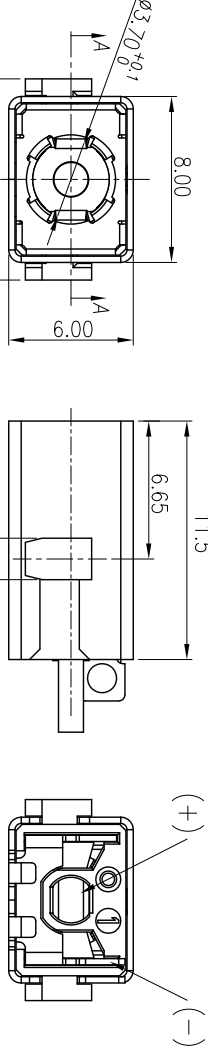
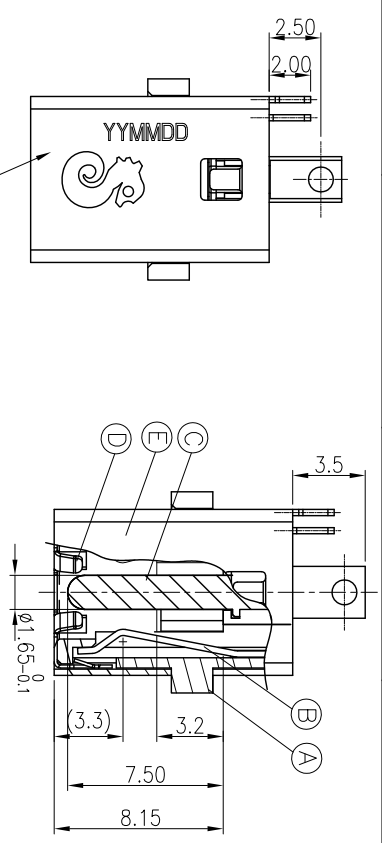
REV.	ECN NO.	OR DESCRIPTION	REVISED	DATE
A		Product Release	ALLEN	2010.07.29



**SPECIFICATIONS:**

1. ELECTRICAL CHARACTERISTICS:
  - 1-1. RATING: 20V, 3A Min.
  - 1-2. CONTACT RESISTANCE: 30 MILLIOHMS Max. FOR INITIAL, 50 MILLIOHMS Max. AFTER 5000 CYCLES.
  - 1-3. INSULATION RESISTANCE: 100 MEGAOHMS Min. BY 500V DC AFTER 1 MINUTE.
  - 1-4. DIELECTRIC WITHSTANDING VOLTAGE: 500V RMS AFTER 1 MINUTE.
2. MECHANICAL CHARACTERISTICS:
  - 2-1. INSERTION FORCE : 0.5~2.0 KGf
  - 2-2. WITHDRAWAL FORCE : 0.4~1.5 KGf
3. LIFE TEST: 5,000 CYCLES MIN.
4. OTHER GENERAL SPEC. TO REFER "2DC2010 SERIES SPEC".
5. TO CONFORM TO SINGATRON HAZARDOUS SUBSTANCE FREE SPEC.
6. HALOGEN FREE PRODUCT IDENTIFICATION MARK ON PRODUCT:
7. HALOGEN FREE PRODUCT IDENTIFICATION LABEL ON PACKAGING:
8. FOR HAND SOLDERING LEAD-FREE PROCESS.

**SECTION A-A**



GAP BETWEEN DC JACK AND PLUG'S OVERMOLD AFTER FULLY CONNECTED.

NO	DESCRIPTION	QTY	MATERIAL	PLATING & COLOR
A	HOUSING	1	THERMOPLASTIC UL 94V-0 (HALOGEN FREE)	BLACK COLOR
B	SPRING	1	COPPER ALLOY	NI (40μ" Min.) UNDERPLATED OVER ALL & GOLD-PLATED(5μ" Min.) AT CONTACT AREA AND TIN-PLATED(20μ" Min.) AT WELD AREA
C	PIN	1	COPPER ALLOY	NI (50μ" Min.) UNDERPLATED OVER ALL & GOLD-PLATED(5μ" Min.) OVER ALL
D	GROUND	1	STAINLESS	N/A
E	SHELL	1	SPCC	CU (80μ" Min.) UNDERPLATED OVER ALL & NI (60μ" Min.) PLATED OVER ALL

UNLESS OTHERWISE SPECIFIED TOLERANCES

DECIMALS: ANGLES:

X : ±0.5 X : ±2°

X.X : ±0.3 X.X : ±1°

X.XX : ±0.2

Singatron Enterprise Co., Ltd.  
信登企業股份有限公司

TITLE: DC POWER JACK

DWN: Part No. 2DC2010-000111

CHKD: Scale: 4:1 UNIT: mm

APVD: Size: A3 SHEET: 1 OF 1 REV: A

CUSTOMER COPY