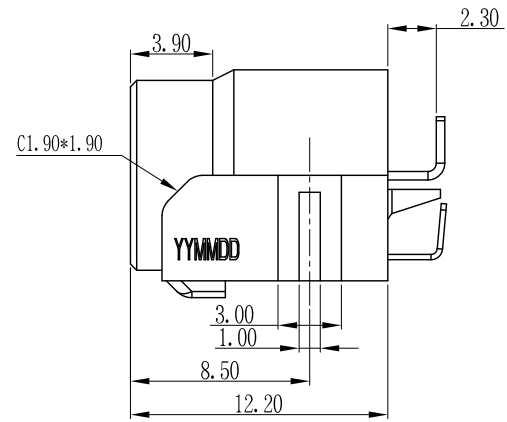
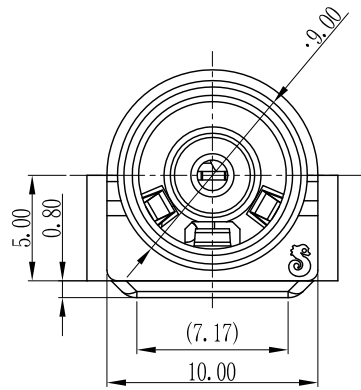


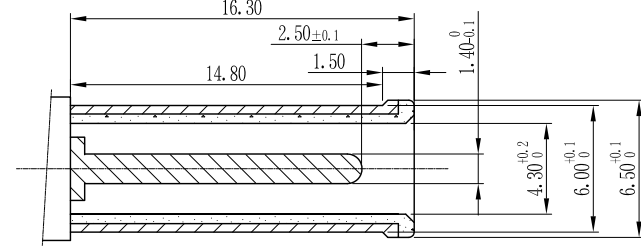
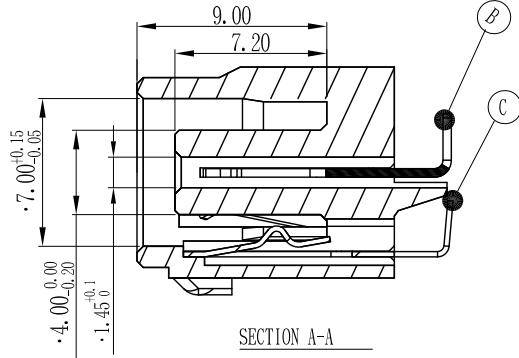
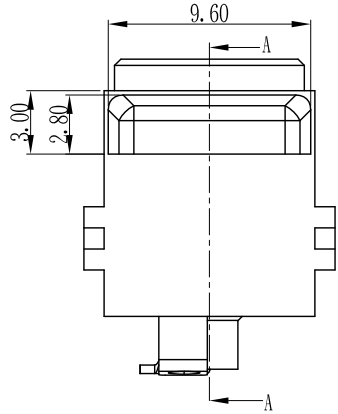
| | | | |
|------|-----------------------|---------|------------|
| REV. | ECN NO OR DESCRIPTION | REVISED | DATE |
| A | Product Release | ALLEN | 2010.12.20 |



SPECIFICATIONS:

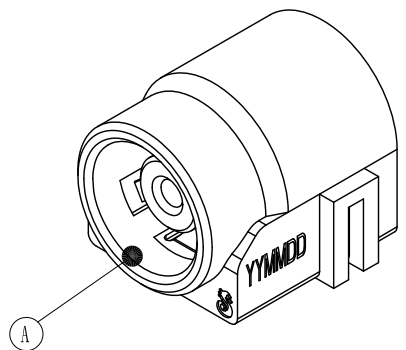
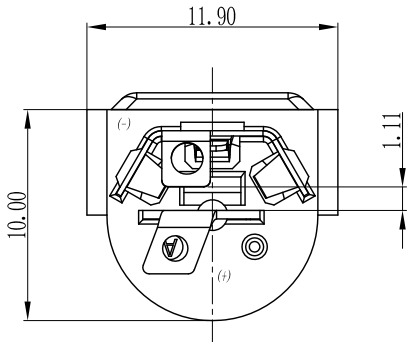
- ELECTRICAL CHARACTERISTICS:**
 - RATING:** 20V, 2A
 - CONTACT RESISTANCE:**

30 MILLIOHMS Max. FOR INITIAL,
50 MILLIOHMS Max. AFTER 5000 CYCLES.
 - INSULATION RESISTANCE:** 100 MEGAOHMS Min. BY 500V DC AFTER 1 MINUTE.
 - DIELECTRIC WITHSTANDING VOLTAGE:** 500V RMS AFTER 1 MINUTE.
- MECHANICAL CHARACTERISTICS:**
 - INSERTION FORCE:** 0.3~3.0 KGF
 - WITHDRAWAL FORCE:** 0.3~2.5 KGF
- LIFE TEST:** 5,000 CYCLES MIN.
- OTHER GENERAL SPEC. TO REFER "2DC2014 SERIES SPEC".**
- TO CONFORM TO SINGATRON HAZARDOUS SUBSTANCE FREE SPEC.**
- HALOGEN FREE PRODUCT IDENTIFICATION MARK ON PRODUCT:**
- HALOGEN FREE PRODUCT IDENTIFICATION LABEL ON PACKAGING:**
- FOR HAND SOLDERING LEAD-FREE PROCESS.**
- PACKAGING:** BAG



MATE PLUG
(TOLERANCE: ±0.05)

| SCHEMATIC | |
|-----------|------------|
| | SPRING (+) |
| | TIP (-) |



| C | SPINRG (-) | 1 | COPPER ALLOY 0.25T | GOLD FLASH | | |
|---------------------------------------|-------------|-------|--|-------------------------------|-----------------|-------------------------|
| B | SPINRG (+) | 1 | COPPER ALLOY 0.4T | GOLD FLASH | | |
| A | BODY | 1 | THERMOPLASTIC | BLACK | | |
| NO | DESCRIPTION | QTY | MATERIAL | PLATING & COLOR | | |
| UNLESS OTHERWISE SPECIFIED TOLERANCES | | | Singatron Enterprise Co., Ltd. 信音企業股份有限公司 | | | |
| DECIMALS: | ANGLES: | TITLE | | | DC POWER JACK | |
| X : ±0.5 | X : ±2° | DWN | | | Attan 10.12.23 | PART NO. 2DC2014-000111 |
| X.X : ±0.3 | X.X : ±1° | CHKD | | | Winkan 10.12.23 | SCALE 4:1 UNIT: mm |
| X.XX : ±0.2 | | APVD | Liao 10.12.23 | SIZE: A3 SHEET: 1 OF 1 REV: A | | |
| CUSTOMER COPY | | | | | | |