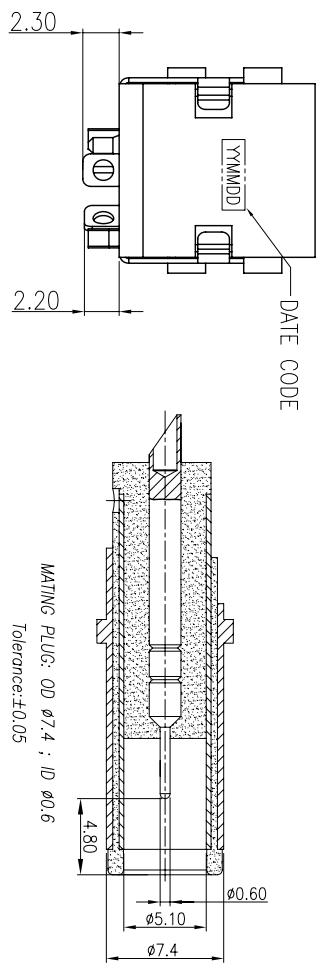
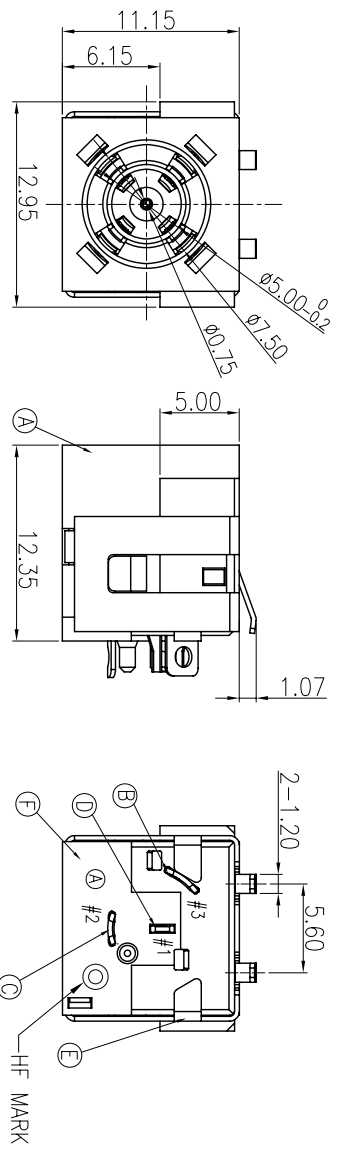
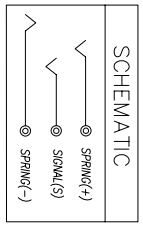
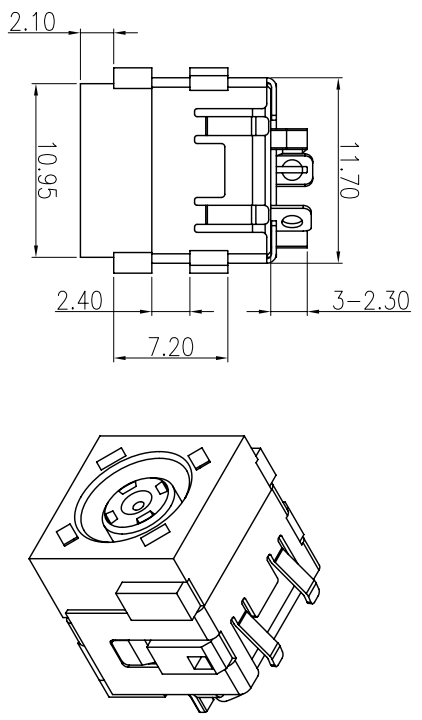


REV.	ECN NO.	OR DESCRIPTION	REVISED	DATE
A		PRODUCT RELEASE	Fanlun	2012.07.13



- SPECIFICATIONS:**
- 1. ELECTRICAL CHARACTERISTICS:**
- 1-1. RATING: 20V, 10A.
  - 1-2. CONTACT RESISTANCE: 30 MΩ Max. FOR INITIAL, 50 MΩ Max. AFTER 5000 CYCLES.
  - 1-3. INSULATION RESISTANCE: 100 MΩ Min.
  - 1-4. DIELECTRIC WITHSTANDING VOLTAGE: 150V RMS AFTER 1 MINUTE.
- 2. MECHANICAL CHARACTERISTICS:**
- 2-1. INSERTION FORCE : 3.0 KGF MAX .
  - 2-2. WITHDRAWAL FORCE : 0.35 KGF MIN.
- 3. LIFE TEST: 5,000 CYCLES MIN.**
- 4. OTHER GENERAL SPEC. TO REFER "2DC2018-003111F SPEC".**
- 5. TO CONFORM TO SINGATRON HAZARDOUS SUBSTANCE FREE SPEC.**
- 6. HALOGEN FREE PRODUCT IDENTIFICATION MARK ON PRODUCT:**
- 7. HALOGEN FREE PRODUCT IDENTIFICATION LABEL ON PACKAGING:**
- 8. FOR HAND SOLDERING LEAD-FREE PROCESS.**
- 9. PACKAGING: BAG**



F	COVER	1	THERMOPLASTIC U194V-0	BLACK
E	SHELL	1	COPPER ALLOY 0.3T	NICKEL PLATING
D	SIGNAL(S)	1	COPPER ALLOY 0.4T	GOLG FLASH
C	SPRING(+)	1	COPPER ALLOY 0.3T	GOLG FLASH
B	SPRING(-)	1	COPPER ALLOY 0.3T	GOLG FLASH
A	BODY	1	THERMOPLASTIC U194V-0	BLACK
NO	DESCRIPTION	QTY	MATERIAL	PLATING & COLOR

UNLESS OTHERWISE SPECIFIED TOLERANCES

Singatron Enterprise Co., Ltd.  
信音企業股份有限公司

TITLE: DC POWER JACK

DECIMALS:	ANGLES:	
X : ±0.5	X : ±2°	
X.X : ±0.3	X.X : ±1°	
X.XX : ±0.2		

DWN	FANLUN	20120713	PART NO.	2DC2018-003111F
CHKD	MINMIN	20120716	SCALE	3:1
APVD	LDO	20120718	SIZE:	A3
			SHEET:	1 OF 1
			REV:	A

CUSTOMER COPY