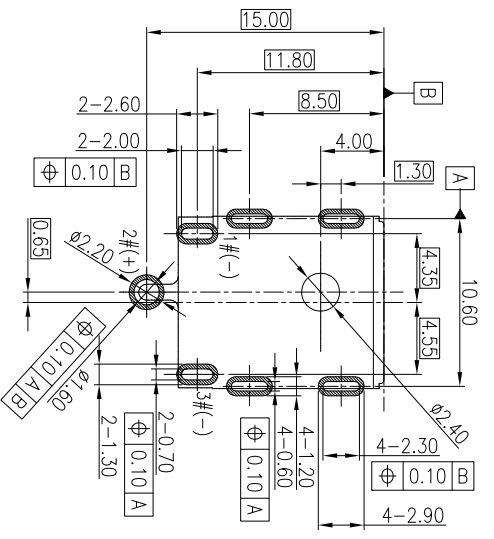
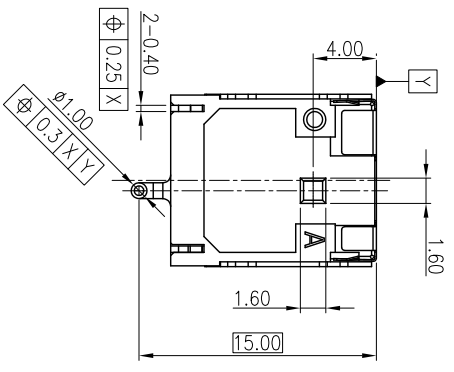
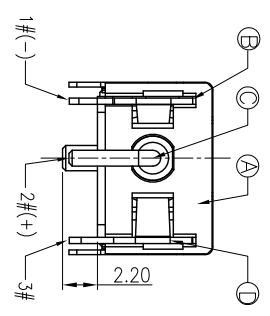
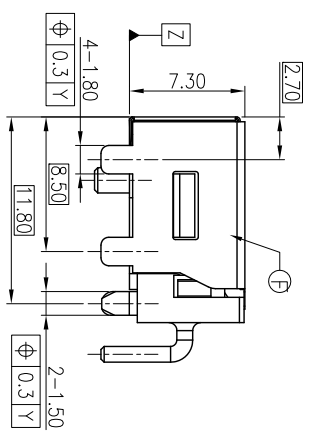
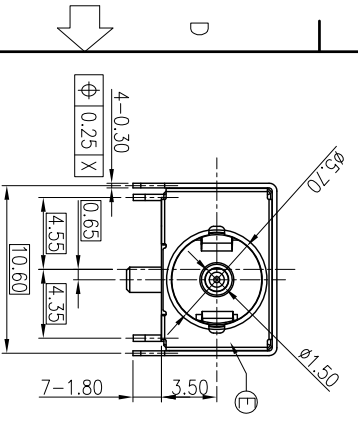
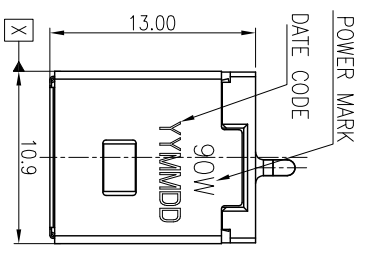
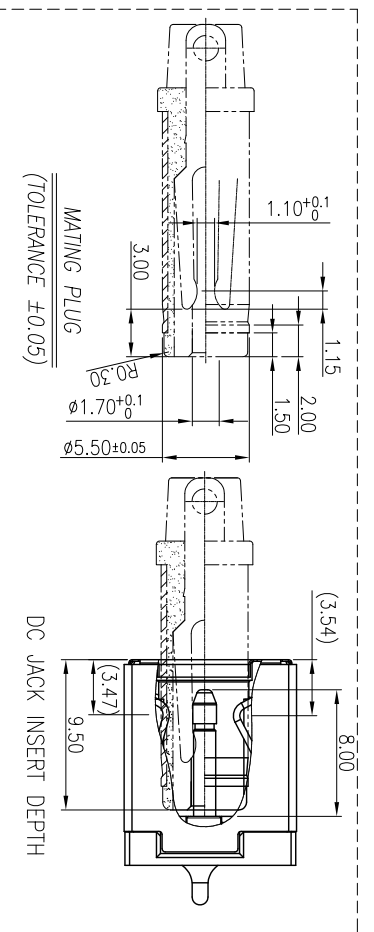
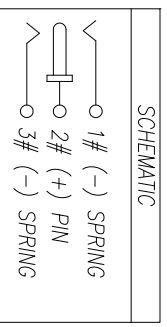


REV.	ECN NO.	OR DESCRIPTION	REVISED	DATE
A		Product Release	Outliping	2011.06.16



RECOMMENDED P.C.B. LAYOUT  
TOP VIEW (TOLERANCE: ±0.05)

- SPECIFICATIONS:
- ELECTRICAL CHARACTERISTICS:
    - 1-1. RATING: 20V 7A
    - 1-2. CONTACT RESISTANCE: 10m<sup>2</sup> MAX.(INITIAL)
    - 1-3. DIELECTRIC WITHSTANDING VOLTAGE: 500V AC FOR ONE MINUTE.
    - 1-4. INSULATION RESISTANCE: 100m<sup>2</sup> MIN. MEASURED BY 500 VDC.
  - LIFE TEST: 5,000 CYCLES MIN.
  - TO CONFORM TO SINGATRON HAZARDOUS SUBSTANCE FREE SPEC.
  - HALOGEN FREE PRODUCT IDENTIFICATION MARK ON PRODUCT:
  - HALOGEN FREE PRODUCT IDENTIFICATION LABEL ON PACKAGING:
  - PACKAGING: TAPE & REEL
  - FOR REFLOW SOLDERING LEAD-FREE PROCESS.



G	STOPPER	1	HIGH TEMP. THERMOPLASTIC	BLACK
F	SHELL	1	COPPER ALLOY	NICKEL-PLATED
E	GROUND	1	STAINLESS	N/A
D	SIGNAL	1	COPPER ALLOY	GOLD FLASH AT CONTACT AREA
C	PIN	1	COPPER ALLOY	GOLD FLASH
B	SPRING	1	COPPER ALLOY	GOLD FLASH AT CONTACT AREA
A	HOUSING	1	HIGH TEMP. THERMOPLASTIC	SEE TABLE 1.
NO	DESCRIPTION	QTY	MATERIAL	PLATING & COLOR

Singaton Enterprise Co., Ltd.  
信音企業股份有限公司

UNLESS OTHERWISE SPECIFIED TOLERANCES		DC POWER JACK	
DECIMALS:	ANGLES:	TITLE	
X : ±0.5	X : ±2°	DWN	06Aug 2011&23
X.X : ±0.3	X.X : ±1°	CHKD	Man 2011&23
X.XX : ±0.2		APVD	Lee 2011&23

PART NO. ZDC2019-000161F  
SCALE 3:1  
UNIT: mm  
SHEET: 1 OF 1  
REV: A

CUSTOMER COPY