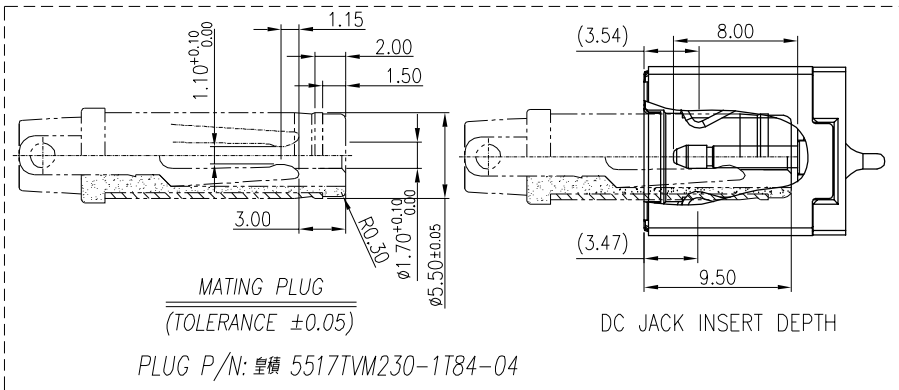
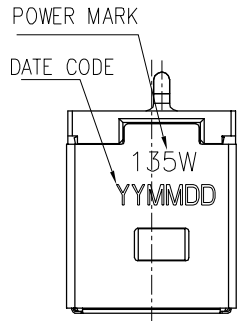
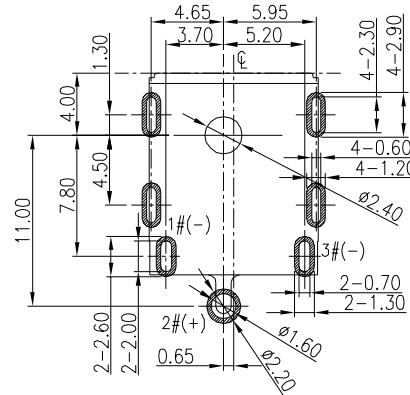
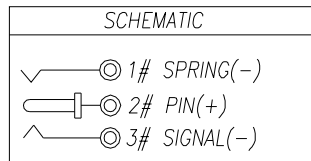
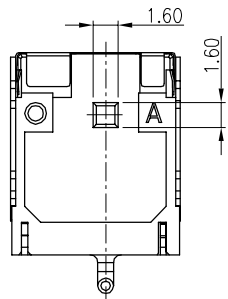
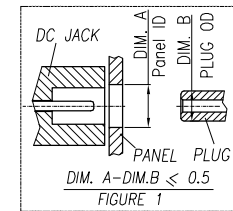
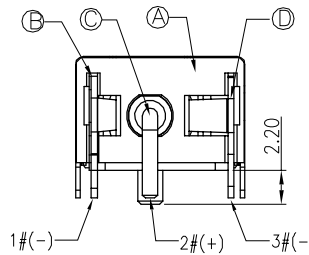
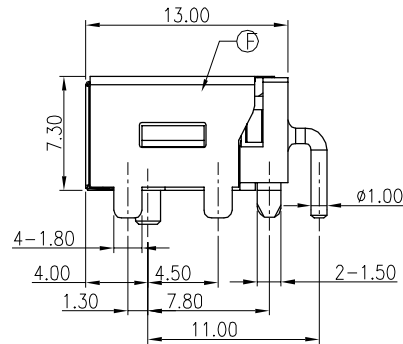
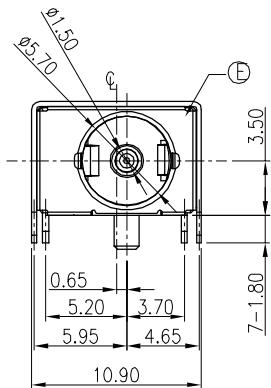


REV.	ECN NO OR DESCRIPTION	REVISED	DATE
A	PDR NO:T160323-2A	Allen	2016.08.22



**SPECIFICATIONS:**

- ELECTRICAL CHARACTERISTICS:**
  - 1-1. RATING: 20V 7A
  - 1-2. CONTACT RESISTANCE: 10mΩ MAX.(INITIAL)
  - 1-3. DIELECTRIC WITHSTANDING VOLTAGE: 500V AC FOR ONE MINUTE.
  - 1-4. INSULATION RESISTANCE: 100MΩ MIN. MEASURED BY 500 VDC
- MECHANICAL CHARACTERISTICS:**
  - 2-1. INSERTION FORCE : SEE 2DC2019-000171F SPEC.
  - 2-2. WITHDRAWAL FORCE : SEE 2DC2019-000171F SPEC.
- LIFE TEST: 5,000 CYCLES MIN.**
- OTHER GENERAL SPEC. TO REFER "2DC2019-000171F SPEC".**
- TO CONFORM TO SINGATRON HAZARDOUS SUBSTANCE FREE SPEC.**
- HALOGEN FREE PRODUCT IDENTIFICATION MARK ON PRODUCT:**
- HALOGEN FREE PRODUCT IDENTIFICATION LOGO ON THE PACKAGING:**
- FOR REFLOW SOLDERING LEAD-FREE PROCESS.**
- THE PANEL'S ID MUST BE GREATER THAN THE PLUG'S OD WHICH MUST HAVE A DIFFERENCE OF LESS THAN OR EQUAL TO 0.5 mm.(AS SHOWN)**



RECOMMENDED P.C.B. LAYOUT  
TOP VIEW (TOLRANCE: ±0.05)

G	STOPPER	1	HIGH TEMP. THERMOPLASTIC	BLACK
F	SHELL	1	COPPER ALLOY	可鍍Ni 50u' Min..
E	GROUND	1	STAINLESS	N/A
D	SIGNAL(-)	1	COPPER ALLOY	G/F ON CONTACT AREA MATTE Sn 100u' Min. ON SOLDER TAIL ALL OVER Ni50Min
C	PIN	1	COPPER ALLOY	GOLD FLASH OVER Ni 50u' Min.
B	SPRING(-)	1	COPPER ALLOY	G/F ON CONTACT AREA MATTE Sn 100u' Min. ON SOLDER TAIL ALL OVER Ni50Min
A	HOUSING	1	HIGH TEMP. THERMOPLASTIC	PURPLE(253C)
NO	DESCRIPTION	QTY	MATERIAL	PLATING & COLOR

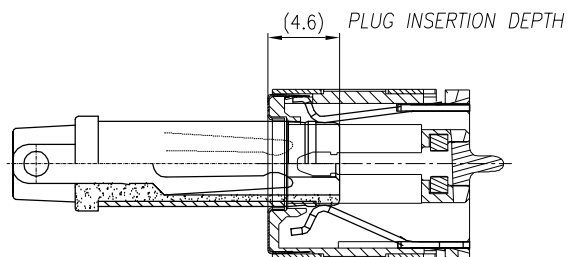
UNLESS OTHERWISE SPECIFIED TOLERANCES

Singatron Enterprise Co., Ltd.  
**信音企業股份有限公司**

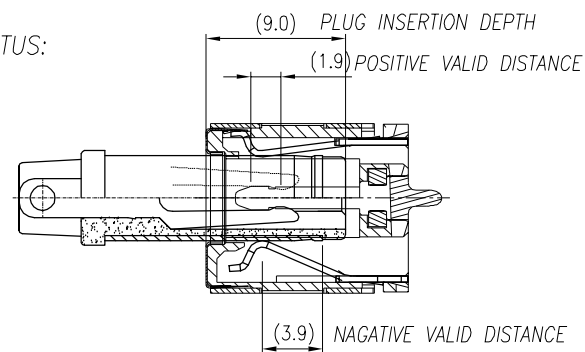
DECIMALS:	ANGLES:	TITLE	DC POWER JACK		
X : ±0.5	X : ±2°	DWN	Allen	PART NO.2DC2019-000171F	
X.X : ±0.3	X.X : ±1°	CHKD	Sky	SCALE 1:1	UNIT: mm
X.XX : ±0.2		APVD	Lussen	SIZE: A3	SHEET: 10F2
					REV: A
CUSTOMER COPY					

REV.	ECN NO OR DESCRIPTION	REVISED	DATE
A	PDR NO:T160323-2A	Allen	2016.08.22

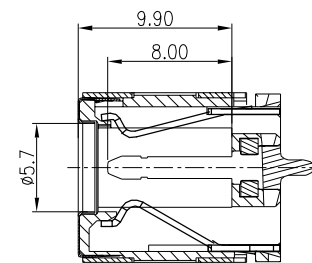
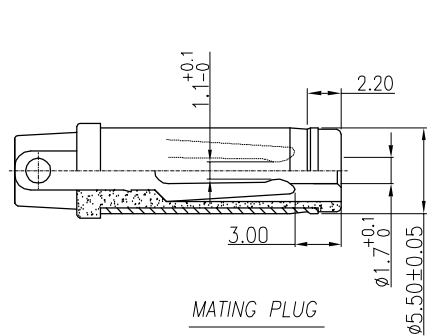
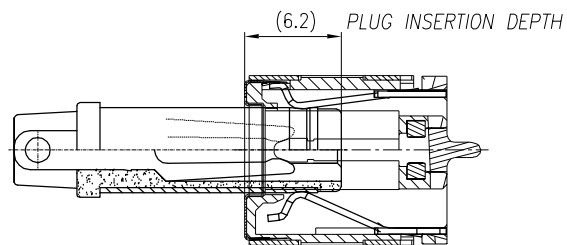
1. NEGATIVE CONTACT FIRST:



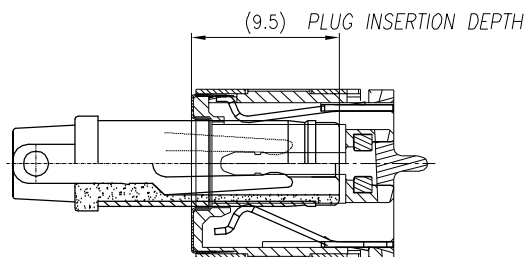
4. LOCK STATUS:




2. POSITIVE CONTACT SECOND:



3. INSERTED INTO THE POSITIONING STATUS:



2DC2019-000171F

NO	DESCRIPTION	QTY	MATERIAL	PLATING & COLOR
UNLESS OTHERWISE SPECIFIED TOLERANCES		 Singatron Enterprise Co., Ltd. 信音企業股份有限公司		
DECIMALS:	ANGLES:	TITLE	MATING DRAWING	
X : ±0.5	X : ±2°	DWN	Allen	PART NO.2DC2019-000171F
X.X : ±0.3	X.X : ±1°	CHKD	Sky	SCALE 1:1 UNIT: mm
X.XX : ±0.2		APVD	Lussen	SIZE: A3 SHEET: 20F2 REV: A
CUSTOMER COPY				