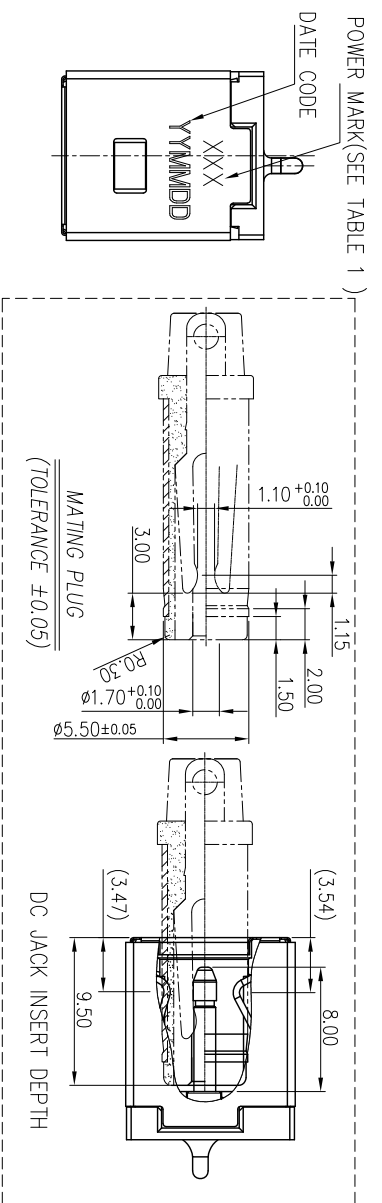


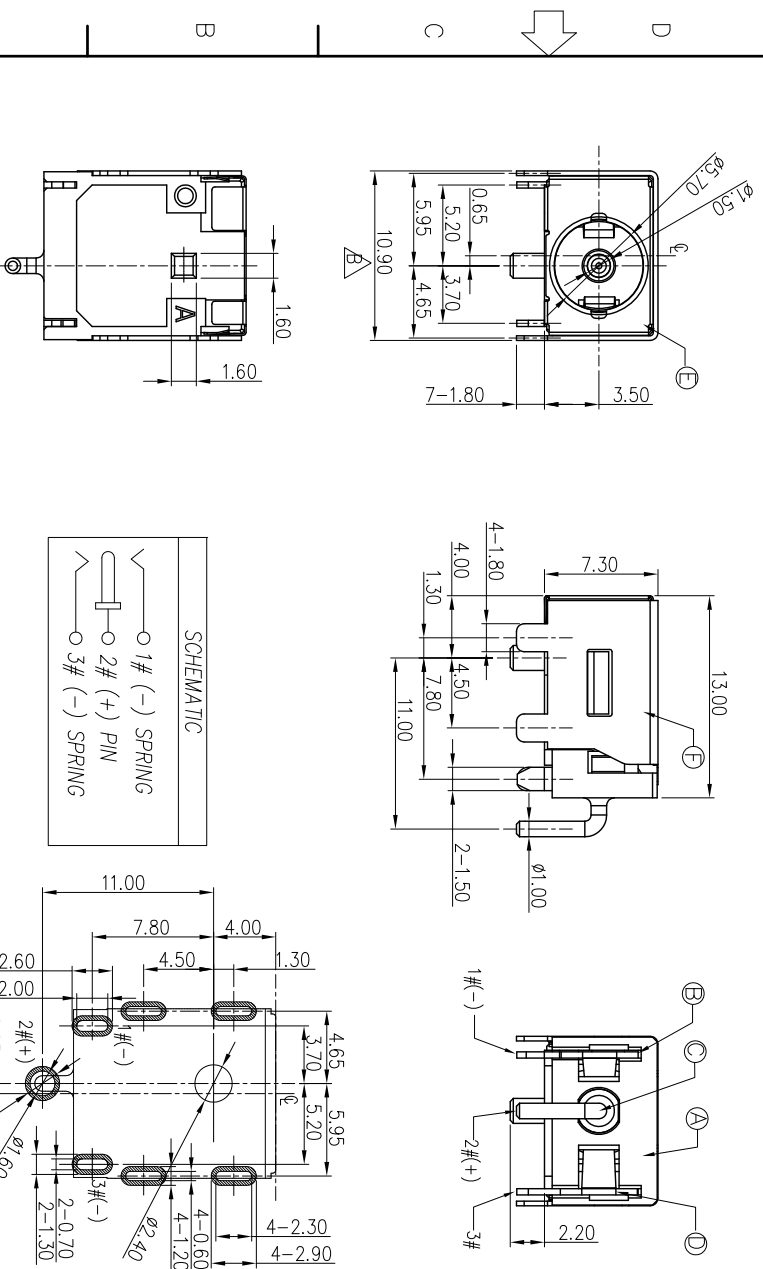
REV.	ECN NO.	OR DESCRIPTION	REVISED	DATE
A		Product Release	Allen	2010.10.26
B	ECN:C120248	UPDATE DRAWING	DAOWEN	2012.08.01



- SPECIFICATIONS:
- ELECTRICAL CHARACTERISTICS:
 - 1-1. RATING: 20V 7A
 - 1-2. CONTACT RESISTANCE: 10mΩ MAX.(INITIAL)
 - 1-3. DIELECTRIC WITHSTANDING VOLTAGE: 500V AC FOR ONE MINUTE.
 - 1-4. INSULATION RESISTANCE: 100mΩ MIN. MEASURED BY 500 VDC
 - LIFE TEST: 5,000 CYCLES MIN.
 - TO CONFORM TO SINGATRON HAZARDOUS SUBSTANCE FREE SPEC.
 - HALOGEN FREE PRODUCT IDENTIFICATION MARK ON PRODUCT:
 - HALOGEN FREE PRODUCT IDENTIFICATION LABEL ON PACKAGING:
 - PACKAGING: REEL
 - FOR REFLOW SOLDERING LEAD-FREE PROCESS.

TABLE 1

PART NO.	HOUSING COLOR	POWER MARK
ZDC2019-000111	BLACK	N/A
ZDC2019-000121	YELLOW(123C)	65W
ZDC2019-000131	BLUE(298C)	90W
ZDC2019-000141	GREEN(383C)	120W



RECOMMENDED P.C.B. LAYOUT
TOP VIEW (TOLERANCE: ±0.05)

NO	DESCRIPTION	QTY	MATERIAL	PLATING & COLOR
G	STOPPER	1	HIGH TEMP. THERMOPLASTIC	BLACK
F	SHELL	1	COPPER ALLOY	NICKEL-PLATED
E	GROUND	1	STAINLESS	N/A
D	SIGNAL	1	COPPER ALLOY	GOLD FLASH AT CONTACT AREA
C	PIN	1	COPPER ALLOY	GOLD FLASH
B	SPRING	1	COPPER ALLOY	GOLD FLASH AT CONTACT AREA
A	HOUSING	1	HIGH TEMP. THERMOPLASTIC	SEE TABLE 1.
NO	DESCRIPTION	QTY	MATERIAL	PLATING & COLOR

UNLESS OTHERWISE SPECIFIED TOLERANCES

Singatron Enterprise Co., Ltd.
信登企業股份有限公司

DECIMALS:	ANGLES:	TITLE
X : ±0.5	X : ±2°	DC POWER JACK
X.X : ±0.3	X.X : ±1°	
X.XX : ±0.2		

DWG	DATE	PART NO.	UNIT	REV.
20200111	20200111	ZDC2019-0001X1	mm	1

APVD: 20200111 SIZE: A3 SHEET: 1 OF 1 REV: B

CUSTOMER COPY